
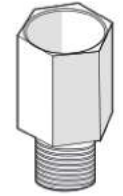





GUARDIAN

USER'S MANUAL

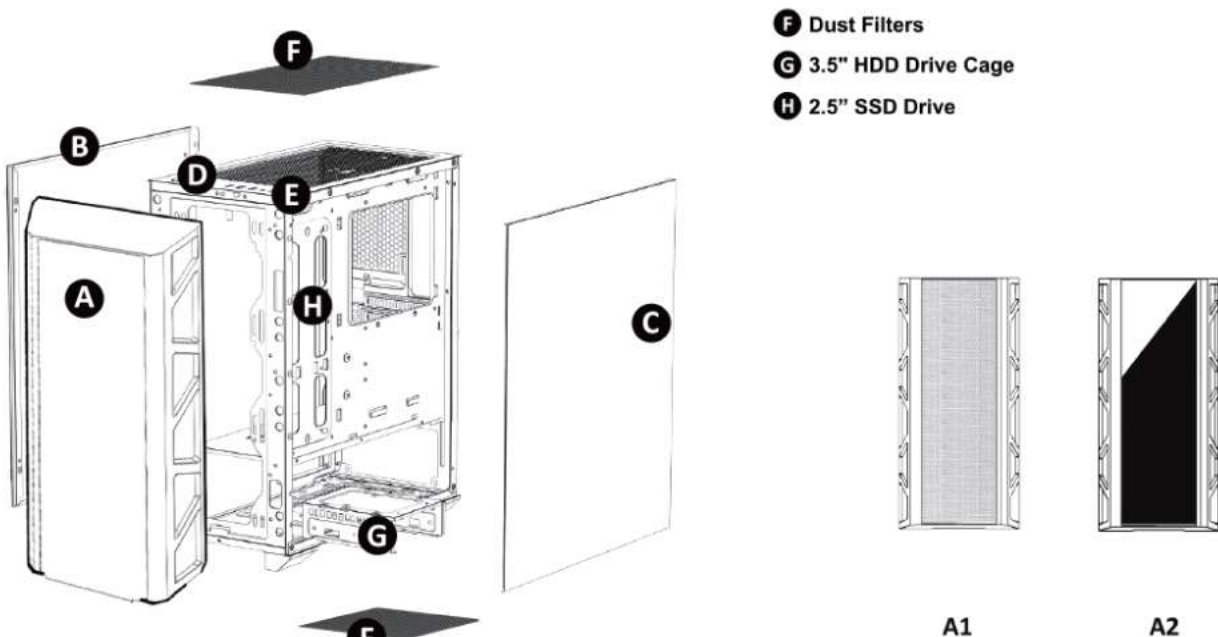
www.apevia.com

Accessory Packet Contents

 X 8 Add-On Card Screws	 X 3 Motherboard Stand-Off	 X 17 Motherboard Screws + 2.5 SSD/HDD Screws
 X 5 Cable Tie	 X 8 3.5 HDD Screws	

Case Features

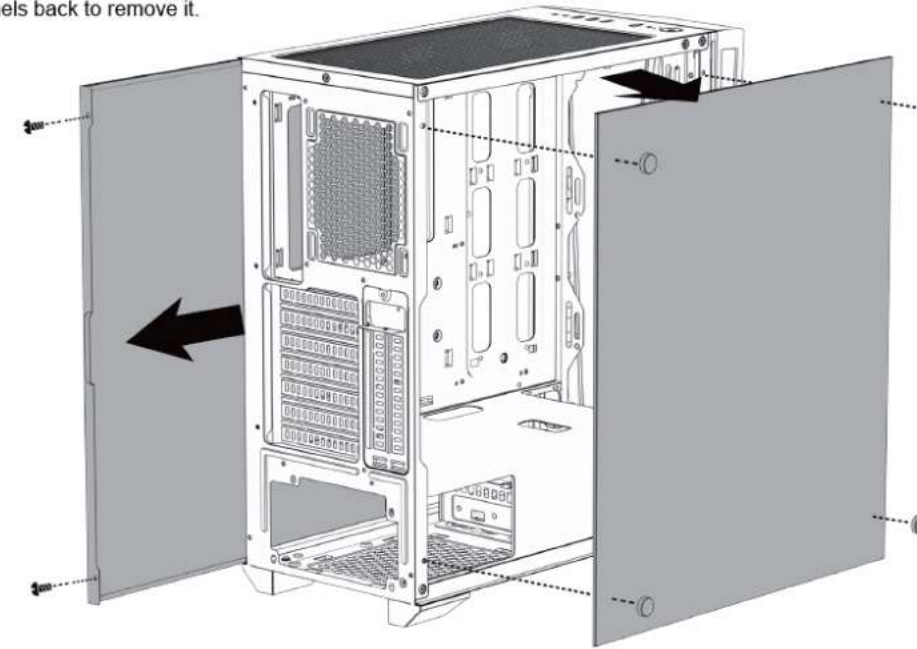
A A1: Meshed Front Panel
 A2: Tempered Glass Front Panel
B Left Side Tempered Glass Panel
C Right Side Panel
D Power + Reset + Led Button
E 1x USB 3.0, 2x USB 2.0, HD Audio
F Dust Filters
G 3.5" HDD Drive Cage
H 2.5" SSD Drive



1 Removal of Panels

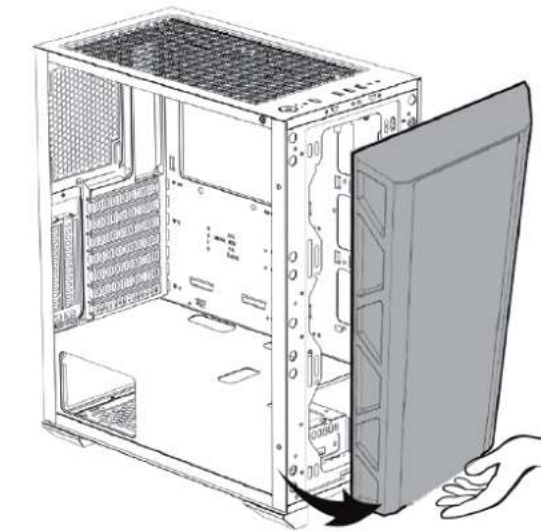
► Removal of Panels

- Unscrew side-panel thumb-screws.
- Slide the side-panels back to remove it.



- Find the front panel cut-out at the bottom.
- Firmly stabilize the chassis with one hand.
- Apply a gradual pulling force with your other hand (using the cut-out).

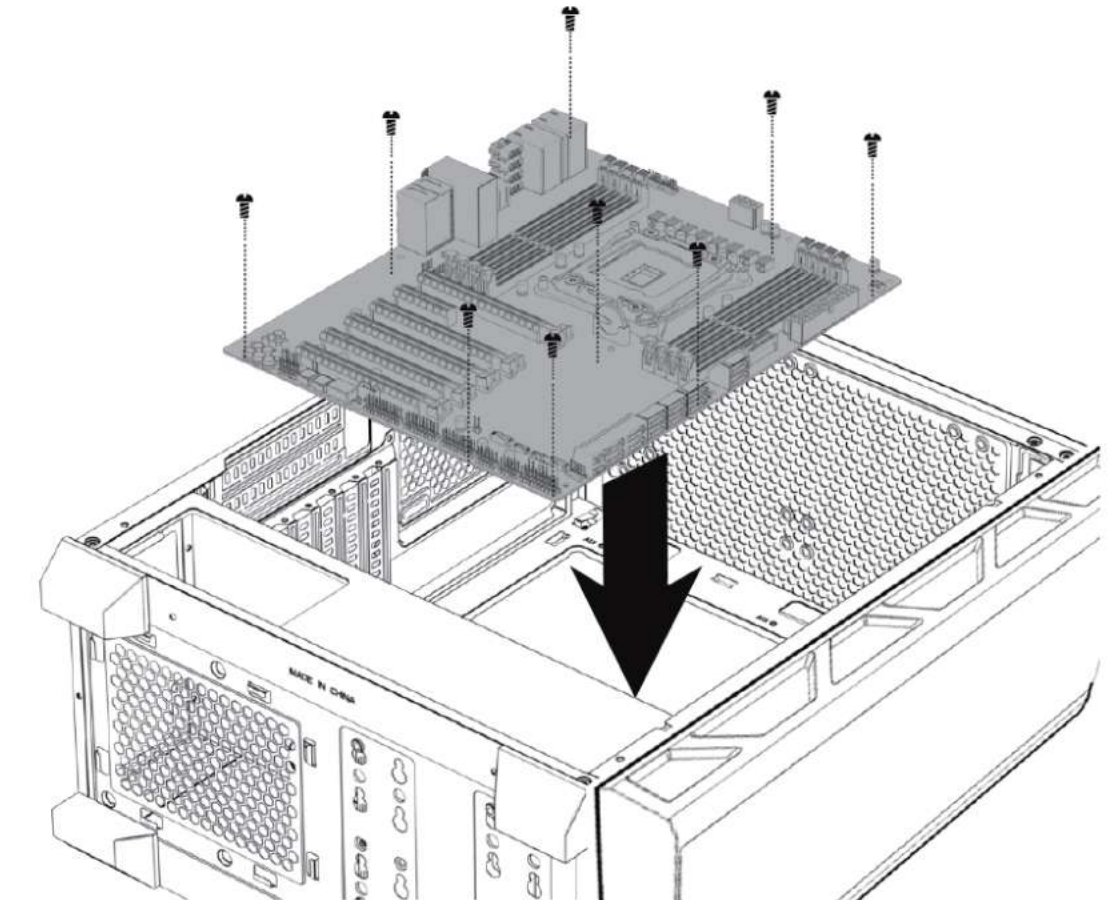
※ Note: Be wary of wires attached to front-panel.



2 Motherboard Installation

► Motherboard Installation

- Find the correct stand-off locations by aligning your motherboard and fasten needed stand-offs accordingly.
- Insert your motherboard I/O back-plate into the back panel cut-out.
- Place your motherboard into the chassis with the ports inserted into the I/O back-plate.
- Secure the motherboard by using the motherboard screws provided.
- Refer to your CPU/Memory component's documentation for motherboard installation instructions.



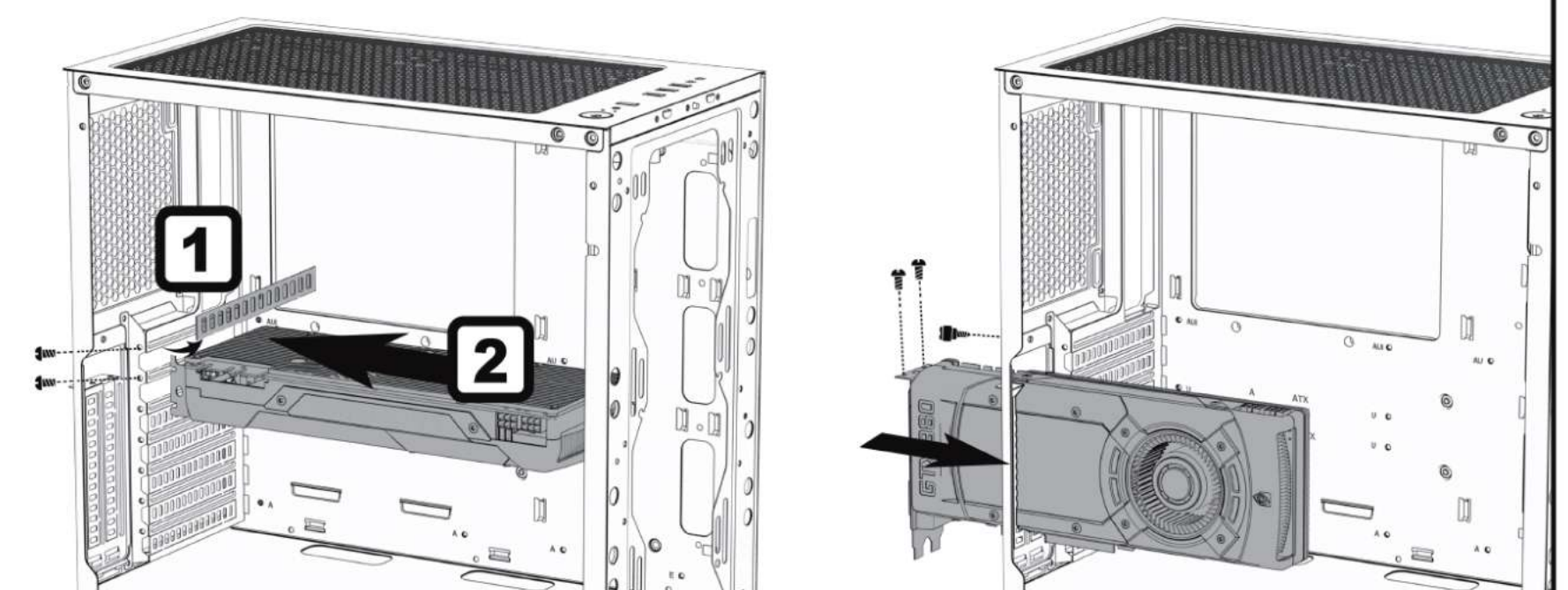
3 Add-On Card Installation

► Add-On Card Installation

- When removing add-on card slot covers, make sure to only remove the slot covers needed as once they are removed, it cannot be replaced.
- Apply pressure and bend the add-on card cover until it comes free.
- Slide the PCI/PCI-E card into position and secure with provided 'Add-On Card Screw'.

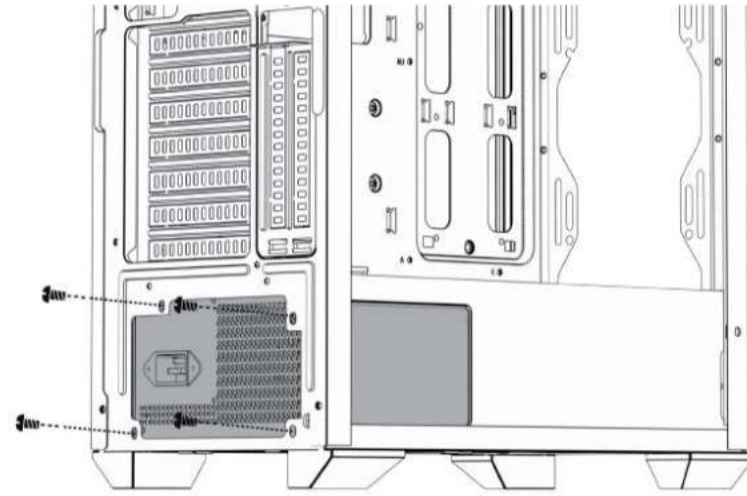
Option 1

Option 2



4 Power Supply Installation

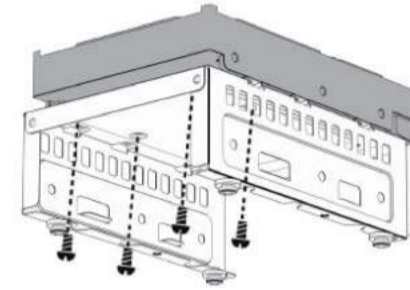
- **Power Supply Installation**
- Place PSU on the bottom of the case.
 - Align holes and secure with screws.



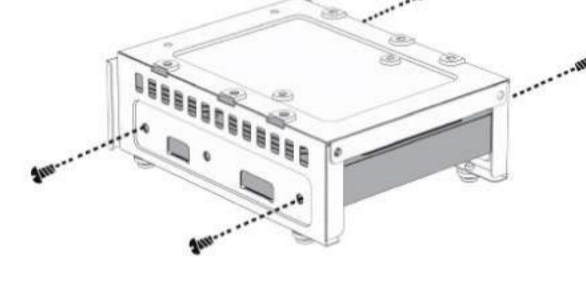
5 3.5" HDD Installation

- **3.5" HDD Installation**
- Slide your external 3.5" drive into the bay until it is flush with the front panel.
 - Secure with screws on both sides.

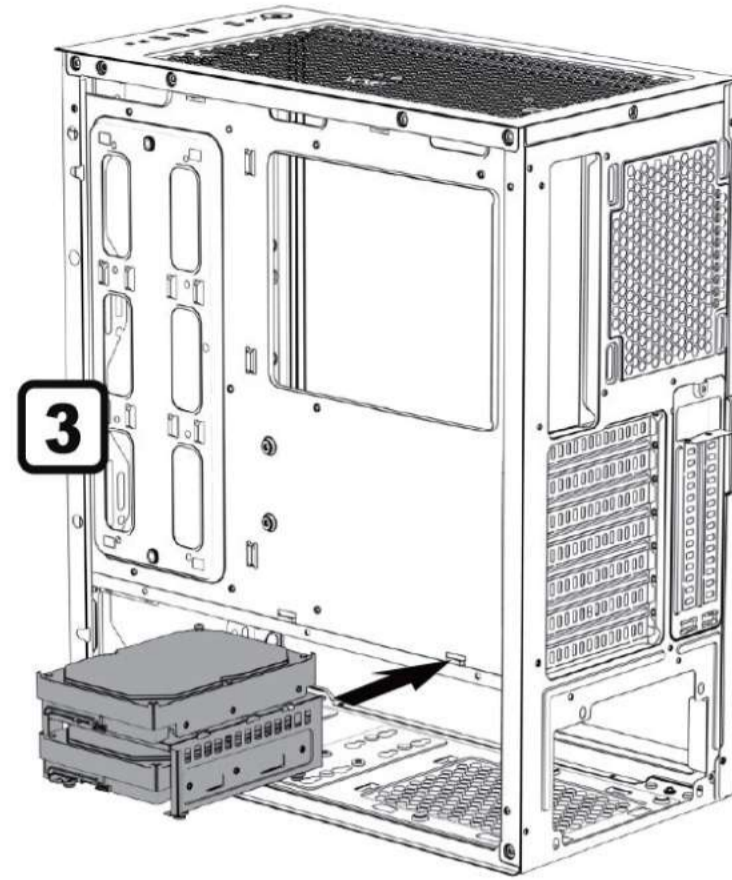
1



2

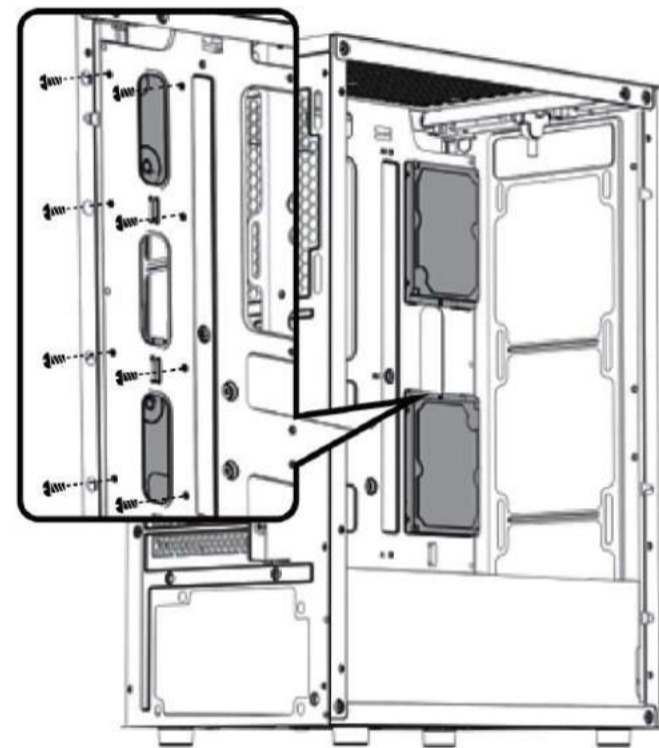


3



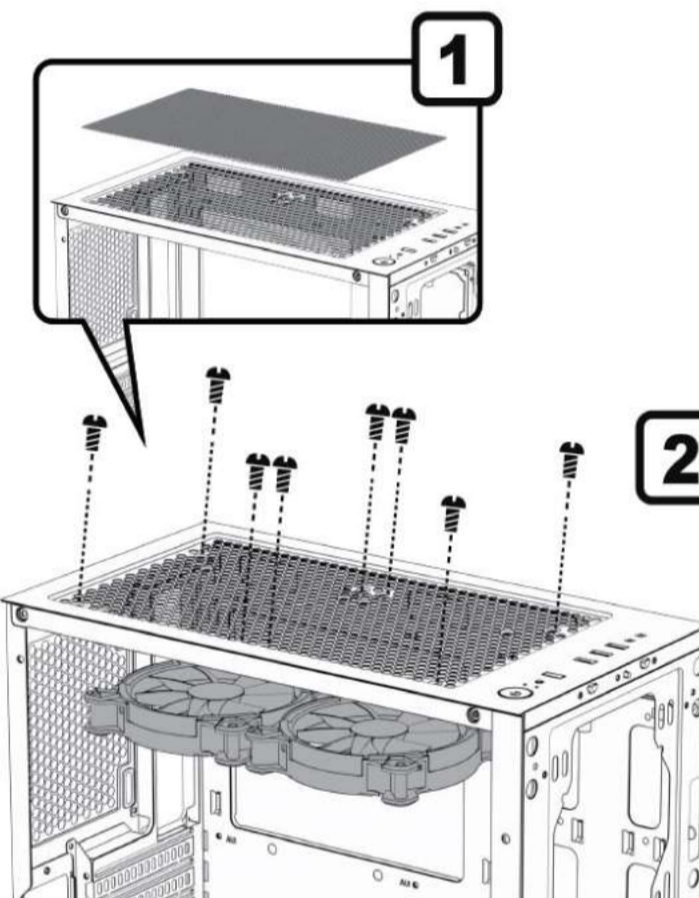
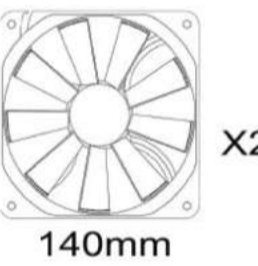
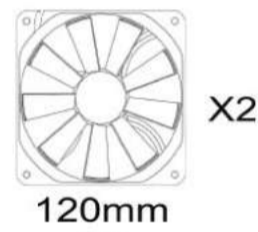
6 2.5" SSD Installation

- **2.5" SSD Installation**
- Place your 2.5" drive in and secure with screws.



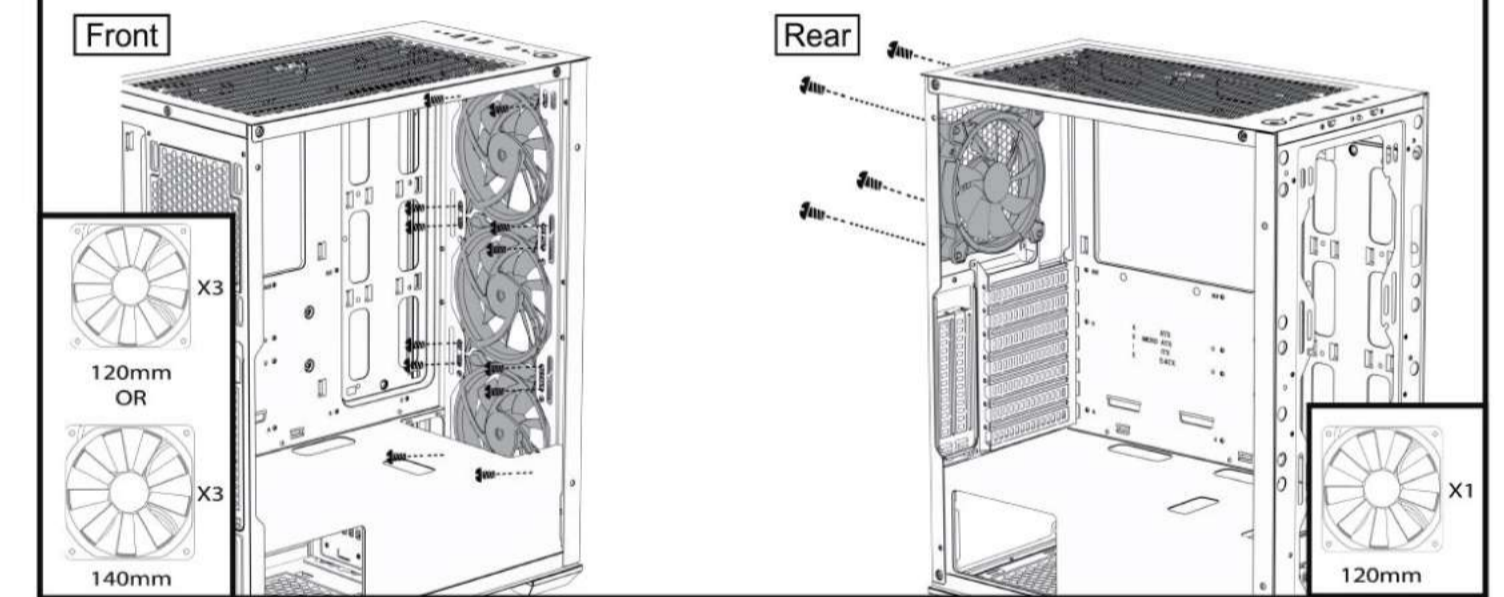
7 Top Fan Installation

- **Top Fan Installation**
- Lift up the dust filter.
 - Align and secure your 120mm fan with screws.



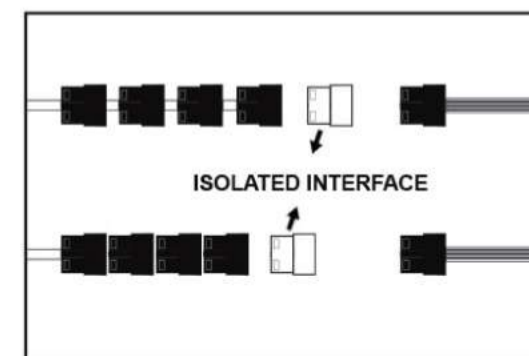
8 Front / Rear Fan Installation

- **Fan Installation**
- Align and secure your 120mm fan with screws.

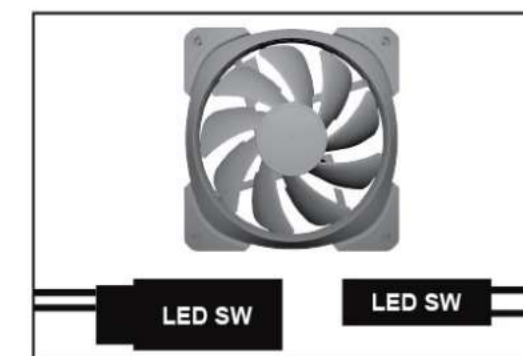


9 Fan installation and setup

- 4 fans are already pre-installed in the case (6 in the Pro model). However, should you need to reconnect them, make sure each of the 4-pin Molex connectors are daisy-chained together as shown. The one labeled "Isolated Interface" controls the LED pattern/color and needs to plug directly to the power supply.



- In order to properly use the color-changing LEDs on the fans, make sure that one of the male LED SW connectors from the fans are plugged into the female LED SW connector coming from the front panel as shown. Hold the LED button for 3 seconds to reset the pattern.



10 Liquid Cooling Installation

- Secure the fans on radiator and fasten the radiator inside of the casing by screwing it from outside.

(Memory Ram Height Must Lower than 32mm)

