



SCHWING
AMERICA INC.

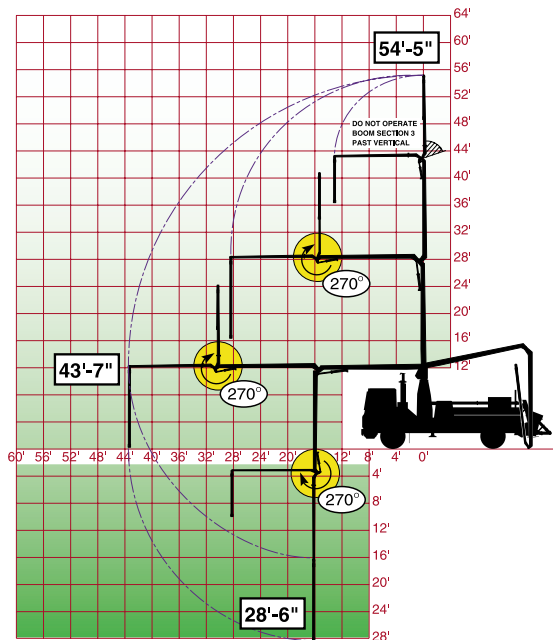
KVM 17

Truck-mounted concrete pump
and placing boom



Maneuverability on-site and economical single-axle truck mounting are the obvious benefits of the KVM 17. With a low 16'4" unfolding height for warehouse flat work and all the features of larger Schwing boom pumps, this

unit provides the reach and output necessary for many projects. For a fast return on your investment and long term profitability with Schwing reliability choose this small pump that is a big performer. Call your Schwing dealer today.



Maximum stability in the smallest space is provided by the "X" style hydraulic outriggers.

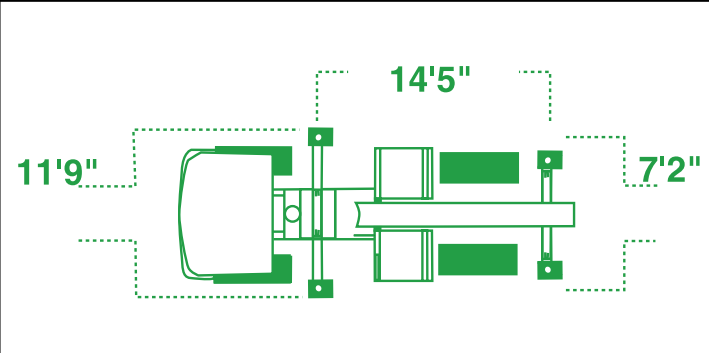
Pump Kits on 17	1418-2.5	900
Theor. Concrete Output (cu./yds/hr)	95	117
Max. Pressure on Concrete (psi)	943	870
Max. Strokes/Min.	34	30
Pump Cylinder Diameter (in.)	7	8
Pump Cylinder Stroke Length (in.)	55	63
Differential Cylinder Size (in.)	3.14	4.7
Max. Aggregate Size (in.)	2.5	2.5
Hydraulic System Pressure (psi)	4350	4350

Specifications are subject to change without prior notice

Boom Specifications	U.S.	Metric	
Pipeline Diameter	5"	125 mm	
Vertical Reach	54'-5"	17 m	
Reach from Slewing Axis	43'-7"	13 m	
Height of folding points	First Section	10"	3 m
	Second Section	29'-8"	10 m
	Third Section	43'-5"	13.2 m
Slewing Range	380°	380°	
End hose length	12'	3.6 m	

Specifications are subject to change without prior notice
Pumping distances shown are to be used only as a guide. Maximum attainable distances, maximum aggregate size and minimum slump are all dependent on mix design and pipeline diameter. Maximum output and distances cannot be achieved simultaneously.

Maximum placing distances have been exceeded in many cases, these should be used as a guide only.



**SCHWING
AMERICA INC.**

5900 Centerville Road
St. Paul, MN 55127
Tel 651-429-0999
Fax 651-429-3464
www.schwing.com

Represented by

Printed on recycled paper