



RFM

The best maps are prone to error, landmarks don't always last for generations, memories fade and even the best tracer wire will corrode over time. To save money, to save time, to protect buried infrastructure, and to protect persons excavating RYCOM offers the Passive Frequency Marker.

Passive Frequency Markers are a battery less device used for marking the position of buried cables, pipes, valves, solenoids, splices and access points.. A locator is used to sweep an area and pinpoint buried markers. Since each utility uses a unique frequency the user can quickly and confidently identify the target device.

The RYCOM Marker is a device for near surface applications. Detectable to three feet this unit can provide accurate location for all desired buried objects. The unique arrow shape facilitate placement in packed soil. Using a steel tube the product can be tamped down to desired depth.

RYCOM offers the 8890-MP, 8891 and 8892 for detecting markers. The receiver provides audible peak tones as the user nears a utility marker. The utility marker will detect and isolate the highest reading during the scan and provide the frequency and utility. Rycom Instruments[®], Inc. locators are designed and manufactured to make utility locating as accurate as you need and as simple as you want. For more information on the 8880STAFF or any other Rycom Instruments[®] product, please call 1-800-851-7347 or visit us online at www.rycominstruments.com.

Marking Application Examples

GAS

- Pipe path
- Stubs
- Valves
- Tees
- Road crossings
- Meter Boxes

Power

- Splices
- Handholes
- Road crossings
- Transformers

Telephone

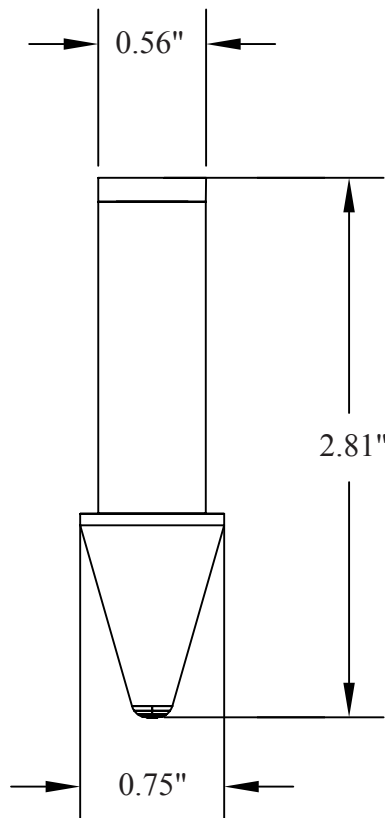
- Fiber optic lines
- Handholes
- Load coils
- FTP services
- Slack loops

Conduit Stubs Water

- Valves
- Plastic pipes
- Services
- Tees
- Stubs

Sewer

- Main/Service coupling
- Clean-outs
- Plastic pipe
- Tees



SPECIFICATIONS

Operating Frequency:

169.8 kHz (power), 145.7 kHz (water), 121.6 kHz (sewer), 101.4 kHz (telephone), 83.0 kHz (gas), 77.0 kHz (CATV)

Antenna:

Ferrite Core

Range:

3.2' (1 m)

Housing Material:

ABS Plastic

Operating Temperature:

-4° F to +133° F (-20° C to +55° C)

Size:

2.81" x 0.75" Diameter (7.14 cm x 1.9 cm)

Weight:

8 oz (0.226 kg)

- 8 frequencies locate standard utility markers for Power, Telco, CATV, Water, Sewer, and Gas
- 3 sensitivity settings for finding deeply buried markers
- Scan feature highlights markers in the vicinity
- Backlit digital display for low-light reading
- Compact design folds for easy storage
- Weather proof membrane buttons
- Made in the U.S.A.

WARRANTY

WARRANTY: 12 Month Warranty from date of delivery against defects in material and workmanship (EXCEPT BATTERIES) on all instruments. This warranty is void if, after having received the instrument in good condition, it is subjected to abuse, unauthorized alteration or casual repair. We will repair or replace products that prove to be defective during warranty period. NO OTHER WARRANTY IS EXPRESSED OR IMPLIED. THE WARRANTY DESCRIBED IN THIS PARAGRAPH SHALL BE IN LIEU OF ANY OTHER WARRANTY, INCLUDING, BUT NOT LIMITED TO, ANY IMPLIED WARRANTY OF MERCHANTABILITY OR FITNESS FOR A PARTICULAR PURPOSE. WE ARE NOT LIABLE FOR CONSEQUENTIAL DAMAGES. Terms: Net 30 days, Missouri sales tax charged where applicable. Shipping & Delivery: All orders are FOB Raytown, MO. Specifications subject to change without prior notice.