



eran industrial.

*THE **LAINÉ PLUS.***  
*PREMIUM-GRADE LED BOLLARDS*







**RBL / TRB / SSB / SRB SERIES**



# THE LAINE PLUS.

LED BOLLARDS

## THE PREMIUM **RBL / TRB / SSB / SRB** SERIES

	<b>RBL 400</b> Round 6"	12W-120° 20W-180°/ 360° 25W-240° 35W-360°
	<b>TRB 600</b> Round 6" tapered	12W-120° 20W-180°/ 360° 25W-240° 35W-360°
	<b>SSB 600</b> Square 6"	12W-90° 20W-180° 25W-270° 35W-360°
	<b>SRB 800</b> Round 8"	12W-120° 20W-180°/ 360° 25W-240° 35W-360°

# ***DLC 4.2 Premium Bollards***



# THE **LAINÉ PLUS.**

PRODUCT OVERVIEW



## **Rotatable Head Design**

Enables the contractor to aim the light exactly where desired.

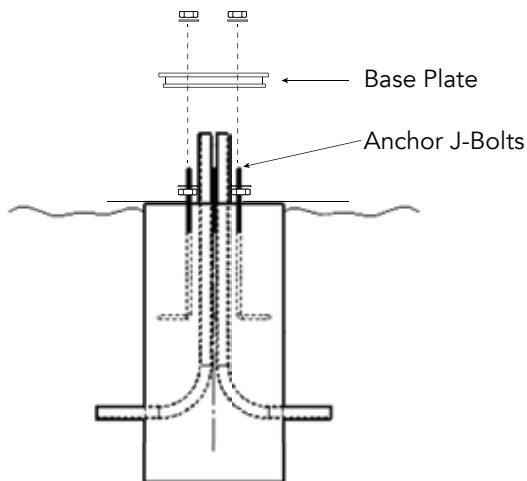
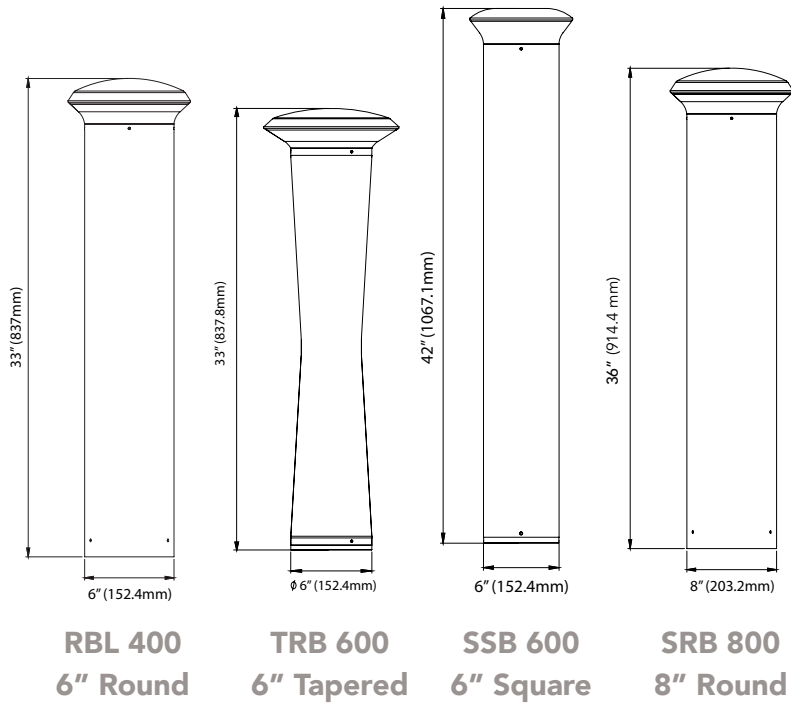
## **Numerous Optical Distributions**

360, 270, 180, 120 and 90 degree options are available to address all lighting needs.

## **High Quality Aluminium**

Rugged, aluminum bollard column and diecasted-base for maximum durability, corrosion-resistance, and minimal weight.

Select any height desired!



### Any Taper Design

Custom taper designed bollards are available.



### Endless Finishes

Bronze, white, gray, black, silver and other optional finishes available upon request.

### IP65-rated Luminaire

IP65-rated electrical and optical assembly ensures protection from harsh environmental factors to ensure durability and longevity.

### Product Description

- Custom tapered shapes available
- 6" Square, 6" & 8" Round, options available
- Surge Protector
- 360, 270, 180, 120 and 90 degree lighting distribution available
- Dimming option available
- Precision die cast head
- IP65 rated fixture for outdoor use
- Chip and fade resistant powder coat finish in any color
- Corresponding anchor bolts/j-bolts are available

# CONSTRUCTION

## *Cold Weather*

Designed for temperatures ranging from -40°C to +40°C, and built to withstand snow, ice and salt.

## *Housing*

Die-cast aluminum adjustable head with extruded aluminum column.

## *Lens*

Clear or Frosted vandal resistant polycarbonate.

## *Mounting*

Three anchor bolts provided for concrete pad mounting. Internal base support has leveling screws.

## *Reflector*

Specular polycarbonate.

## *Gaskets*

High-temperature silicone gaskets seal out moisture.

## *Finish*

Our environmentally friendly polyester powder coatings are formulated for high-durability and long-lasting color.

## *Green Construction*

Mercury and UV free. RoHS compliant components. Polyester powder coat finish formulated without the use of VOC or toxic heavy metals.



# ACCESSORIES



*SP1 Surge Protector.*

# THE LAINE PLUS.

PRODUCT SPECIFICATIONS



## CERTIFICATIONS

- DLC 4.2 Premium
- cUL-us Listed



**RBL 400**  
6" Round

**TRB 600**  
6" Tapered

**SSB 600**  
6" Square

**SRB 800**  
8" Round

## SPECIFICATION & VARIATIONS

Sample

SSB600-20W-40K-V8-D-R0-CP-S1-BZ

BODY TYPE	SYSTEM WATTAGE	CCT	VOLTAGE	DIMMING OPTION	OPTICS	LENS MATERIAL	SURGE PROTECTOR	HOUSING FINISH
<b>SSB 600 -</b>	<b>20W -</b>	<b>40K -</b>	<b>V8 -</b>	<b>D -</b>	<b>R0 -</b>	<b>CP -</b>	<b>S1 -</b>	<b>BZ</b>
RBL 400	12W	30K = 3000K 40K = 4000K 50K = 5000K	V7 = 480V V8 = 120-277V V9 = 347-480V	D = Dimming N = Non-Dimming	R2 = 120°	CP = Clear Polycarbonate FP = Frost Polycarbonate	S1 = Surge Protector NA = None	BZ = Bronze BK = Black SL = Silver GY = Gray CU = Custom
TRB 600	20W				R3 = 180°			
	25W				R0 = 360°			
	35W				R4 = 240°			
SSB 600	12W				R0 = 360°			
	20W				R1 = 90°			
	25W				R3 = 180°			
	35W				R5 = 270°			
SRB 800	12W				R0 = 360°			
	20W				R2 = 120°			
	25W				R3 = 180°			
	35W				R0 = 360°			

Contact our sales representatives and build your own SKU order number by using the configuration table. Please note that any custom built SKU number may delay your shipping schedules.

## PRODUCT SUMMARY

LED Chip:	LG 5630
CRI:	RBL400 ≥ 80; TRB600 / SSB600 / SRB800 ≥ 70
Driver:	YG Driver (0-10V Dimming Optional)
THD:	< 20% @ full load
PF:	> 0.9 @ full load, 100V through 277V
Driver Efficiency:	> 85%
Warranty:	Warranty: 5 Years (terms and conditions apply).
Ambient Operating Range:	-40°C to +40°C
Rated Life:	More than 50K hours per L70 TM-21 @ 70 °C
Dimensions:	RBL400: 33" x 9.68"; TRB600: 33" x 9.68"; SSB600: 42" x 8.21"; SRB800: 36" x 8"
Weight:	RBL400: 13.45 lbs; TRB600: 17.39 lbs; SSB600: 15.21 lbs; SRB800: 22 lbs
Electrical:	120-277V operation, 50/60Hz, Single Driver RoHS and IP65. 347-480V and 480V optional

## APPLICATION

- Suitable for landscape and pathway lighting.
- Ideal for walkways, offices, retail, town-homes & apartment complexes, and health care facilities.
- Compatible with most wired or wireless lighting control systems.

## CERTIFICATIONS





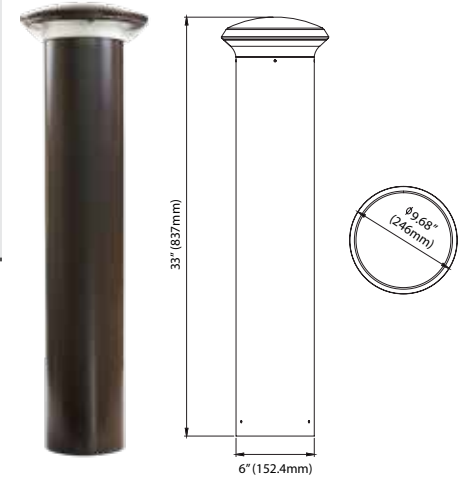
# THE LAINIE PLUS.

## PRODUCT SPECIFICATIONS



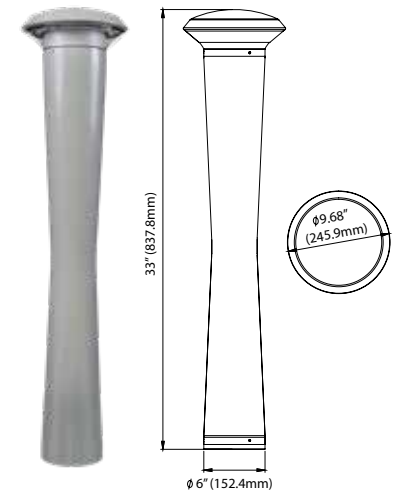
### LAINIE PLUS RBL 400

CCT	SYSTEM WATTAGE	LED WATTAGE	OPTICS INFORMATION	LUMENS (LMS)	LUMENS PER WATT	REPLACES (MH)	CRI	VOLTAGE	WEIGHT
40K	12W	10W	120°	1380	115	50W	≥80	120-277	13.45 lbs.
	20W	18W	180°	2465	118	70W			
			360°	2267	114	100W			
	25W	22W	240°	3024	119	150W			
35W	30W	360°	4276	121	150W				
50K	12W	10W	120°	1380	115	50W	≥80	120-277	13.45 lbs.
	20W	18W	180°	2493	121	70W			
			360°	2314	116	100W			
	25W	22W	240°	3012	119	150W			
35W	30W	360°	4298	121	150W				



### LAINIE PLUS TRB 600

CCT	SYSTEM WATTAGE	LED WATTAGE	OPTICS INFORMATION	LUMENS (LMS)	LUMENS PER WATT	REPLACES (MH)	CRI	VOLTAGE	WEIGHT
40K	12W	10W	120°	1437	109	50W	≥70	120-277	17.39 lbs.
	20W	18W	180°	2366	111	70W			
			360°	2269	114	100W			
	25W	22W	240°	2839	109	150W			
35W	30W	360°	4087	111	150W				
50K	12W	10W	120°	1439	110	50W	≥70	120-277	17.39 lbs.
	20W	18W	180°	2392	113	70W			
			360°	2314	116	100W			
	25W	22W	240°	2839	109	150W			
35W	30W	360°	4087	111	150W				

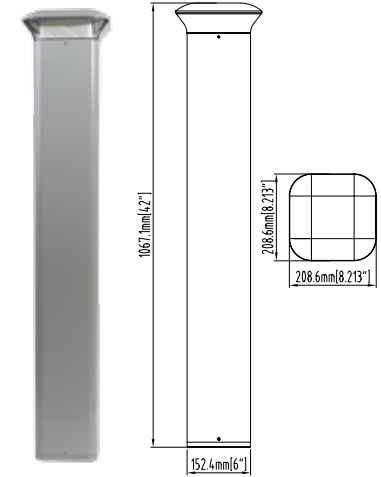


# THE LAINIE PLUS.

PRODUCT SPECIFICATIONS

## LAINIE PLUS SSB 600

CCT	SYSTEM WATTAGE	LED WATTAGE	OPTICS INFORMATION	LUMENS (LMS)	LUMENS PER WATT	REPLACES (MH)	CRI	VOLTAGE	WEIGHT
40K	12W	10W	90°	1437	109	50W	≥70	120-277	15.21 lbs.
	20W	18W	180°	2200	110	70W			
	25W	22W	270°	2750	110	100W			
	35W	30W	360°	3850	110	150W			
50K	12W	10W	90°	1439	110	50W	≥70	120-277	15.21 lbs.
	20W	18W	180°	2200	110	70W			
	25W	22W	270°	2750	110	100W			
	35W	30W	360°	3850	110	150W			



## LAINIE PLUS SRB 800

CCT	SYSTEM WATTAGE	LED WATTAGE	OPTICS INFORMATION	LUMENS (LMS)	LUMENS PER WATT	REPLACES (MH)	CRI	VOLTAGE	WEIGHT
40K	12W	10W	120°	1437	109	50W	≥70	120-277	22.00 lbs.
	20W	18W	180°	2366	111	70W			
			360°	2269	114	100W			
	25W	22W	240°	2839	109	150W			
50K	12W	10W	120°	1439	110	50W	≥70	120-277	22.00 lbs.
	20W	18W	180°	2392	113	70W			
			360°	2314	116	100W			
	25W	22W	240°	2839	109	150W			
35W	30W	360°	4087	111	150W				








## Ready to Order or have any questions?

Contact us for any additional information, such as IES documentation and lighting specification Sheets, or please visit us online at: [www.eranindustrial.com](http://www.eranindustrial.com)

*Office  
Location.*

 **Office**  
1.844.411.LITE

 **Sales**  
[customercare@eranindustrial.com](mailto:customercare@eranindustrial.com)

 **USA Office**  
3500 NW 2nd Avenue, Ste 717 Boca Raton, Florida 33431





**eran** industrial.