

SSS SERIES STEEL POLES

Square Straight Steel Poles

DATE: _____ LOCATION: _____
 TYPE: _____ PROJECT: _____
 CONSTRUCTION: _____

Description

The SSS square straight steel poles are designed for top or side mounted luminaires, with a new universal drill pattern on all four sides of the pole. Polycarbonate black plugs are included to cover all unused holes (12 total). SSS poles are stocked in 15', 17', 20', 25' and 30' lengths in a dark bronze finish. Pole includes pole cap, base plate cover, hand-hole cover, anchor bolts and anchor bolt template.

Construction

- Hot dipped galvanized steel exceeds ASTM A500 Grade C (IS 2062 E350) with minimum yield strength of 50,000 PSI
- Base plates constructed of high strength ASTM A36 steel with 36,000 PSI minimum yield strength
- Galvanized high strength ASTM A55 anchor bolts (set of 4) with 55,000 PSI minimum yield strength
- Poles have a standard bronze polyester powder coat finish
- Pre-drilled universal hole pattern on all four sides for flexible luminaire attachment (accommodates 2"-3" on-center hole patterns)

Installation

- Pole includes spring-loaded polycarbonate pole cap, easily secured 2-piece base plate cover, reinforced cast-iron hand hole cover with ground screw, anchor bolts and bolt circle template
- 12 Plugs provided to seal unused drill holes at top of pole

Warranty

- 1 Year limited warranty


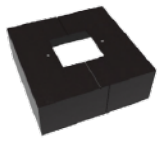


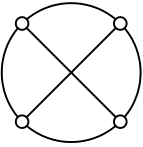
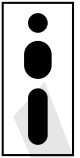


Ordering Information & Specs at a Glance

Catalog Number	Height	Nominal Shaft Dimensions	Wall Thickness	Bolt Circle	Bolt Circle (Range)	Bolt Square (Range)	Base Plate Square	Anchor Bolt Size	Bolt Projection	Pole Weight
SSS-4-G11-15-BZ	15 ft.	4"	0.119"	9"	8" - 11"	5.66" - 7.78"	10.5"	3/4"x 30"x 4"	3.5"	127 lbs
SSS-4-G11-17-BZ	17 ft.	4"	0.119"	9"	8" - 11"	5.66" - 7.78"	10.5"	3/4"x 30"x 4"	3.5"	139 lbs
SSS-4-G11-20-BZ	20 ft.	4"	0.119"	9"	8" - 11"	5.66" - 7.78"	10.5"	3/4"x 30"x 4"	3.5"	157 lbs
SSS-4-G11-25-BZ	25 ft.	4"	0.119"	9"	8" - 11"	5.66" - 7.78"	10.5"	3/4"x 30"x 4"	3.5"	188 lbs
SSS-5-G11-30-BZ	30 ft.	5"	0.119"	11"	10.5" - 12"	7.47" - 8.63"	11"	1"x 36"x 4"	3.5"	275 lbs
SSS-5-G07-30-BZ	30 ft.	5"	0.179"	11"	10.5" - 12"	7.47" - 8.63"	11"	1"x 36"x 4"	3.5"	386 lbs

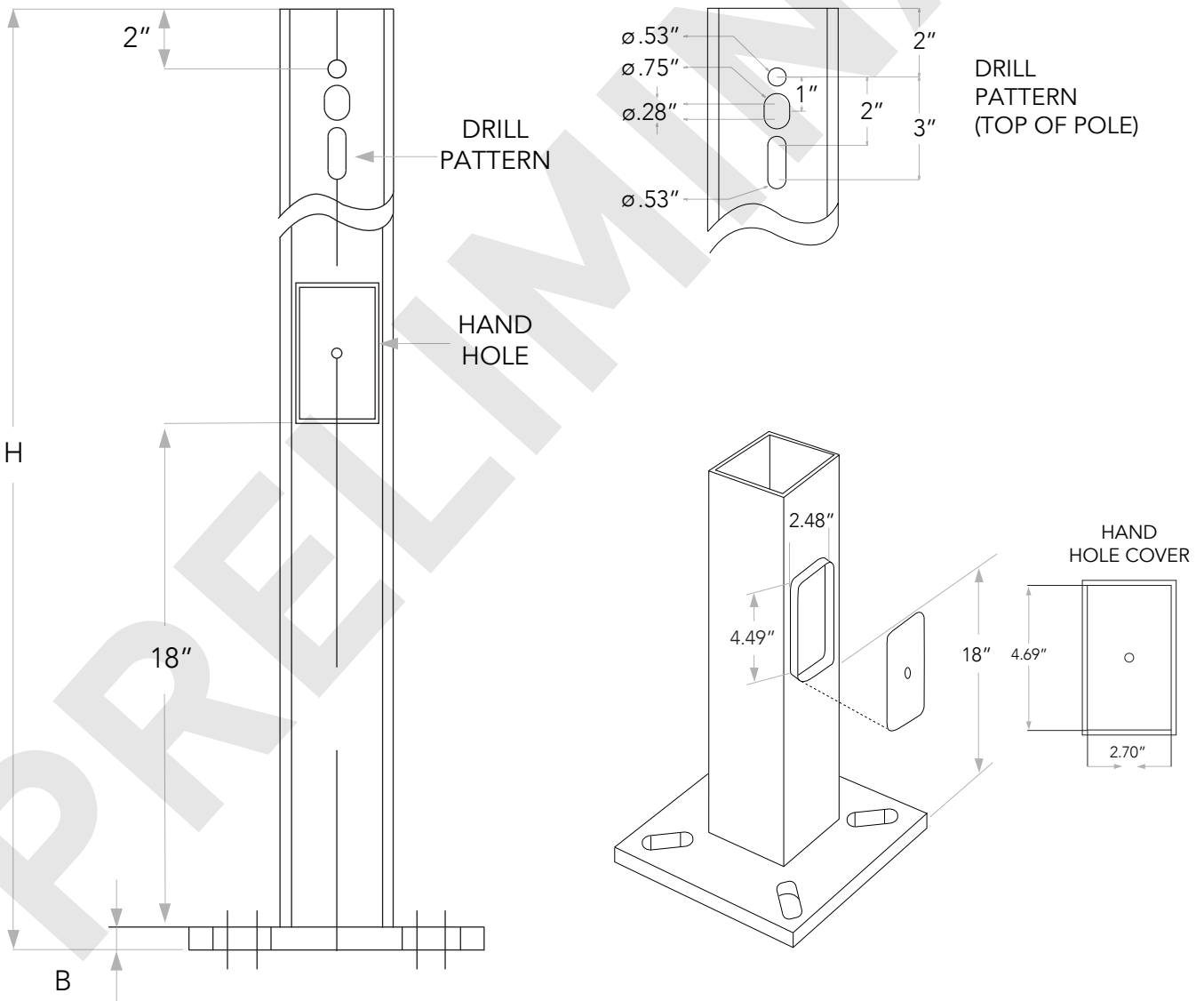
Anchor bolts : **JB3044** - Set of 4, 3/4"x 30" (included with 4" pole)
JB3644 - Set of 4, 1"x 36" (included with 5" pole)

Included Accessories

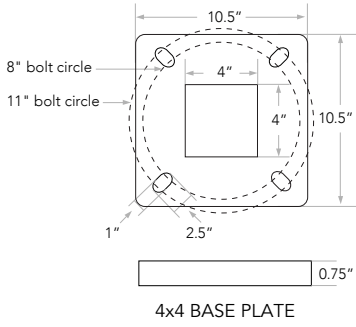
 <p>Anchor Bolts JB3044 for 4" poles JB3644 for 5" poles</p>	 <p>Base Plate Cover</p>	 <p>Pole Cap (Black)</p>	 <p>Hand Hole Cover</p>	 <p>Template</p>	 <p>Plugs (12 Total)</p>
---	---	---	--	---	---

Dimensions

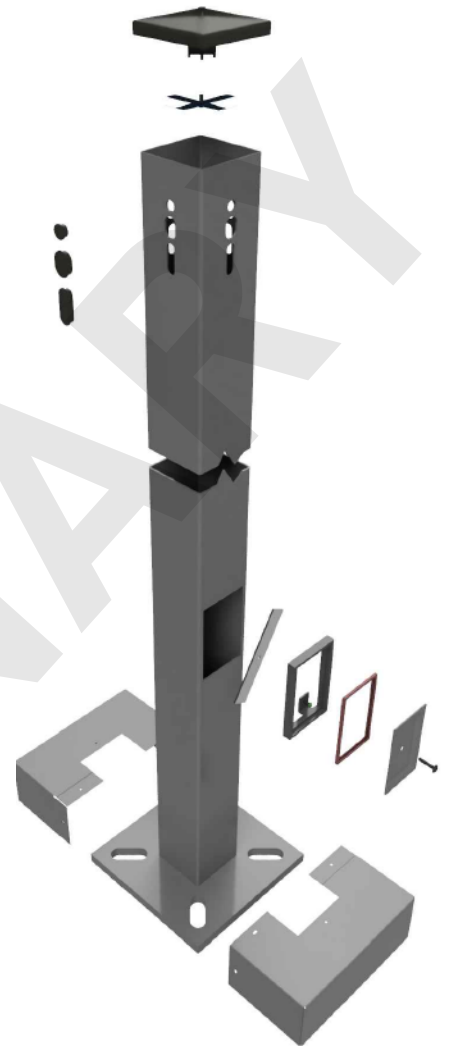
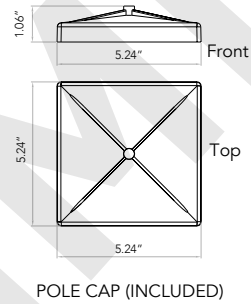
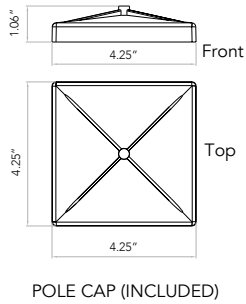
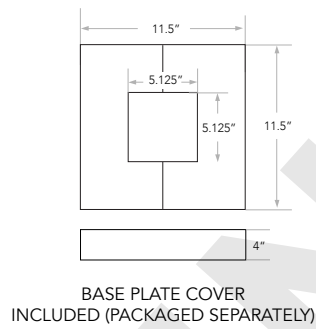
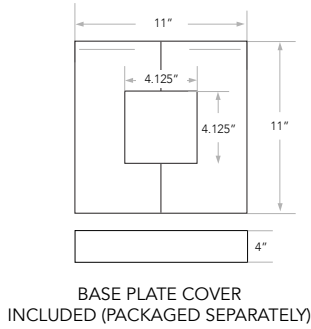
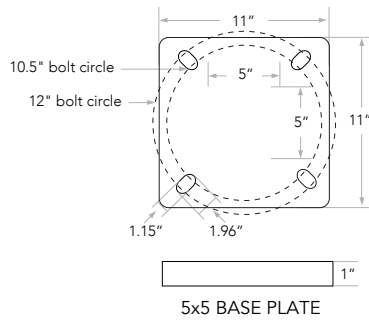
H	B
15'-25'	0.75"
30'	1"



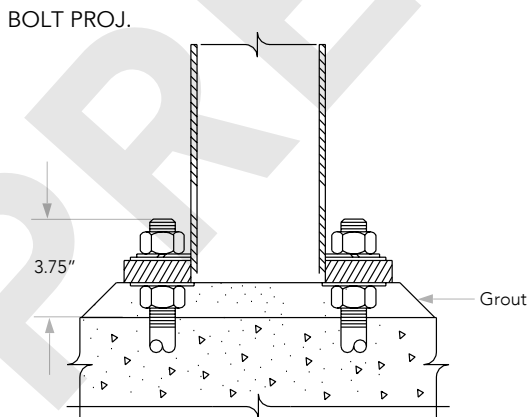
4" x 4" Pole Shaft



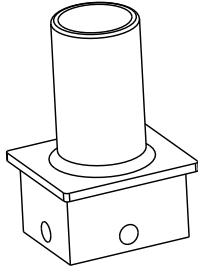
5" x 5" Pole Shaft



Anchor Bolts

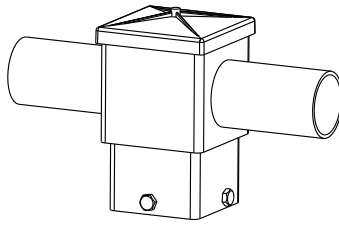


Mounting Accessories (sold separately):



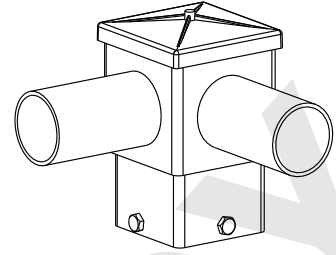
SINGLE SQUARE
VERTICAL TENON

(PN: 4SSVT & 5SSVT)



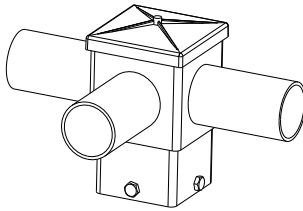
180° TWIN SQUARE
HORIZONTAL TENON

(PN: 4TWSHT180 & 5TWSHT180)



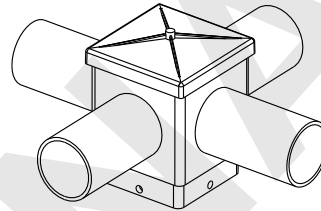
90 DEGREE TWIN
SQUARE TENON

(PN: 4TWSHT90 & 5TWSHT90)



90 DEGREE TRIPLE
HORIZONTAL TENON

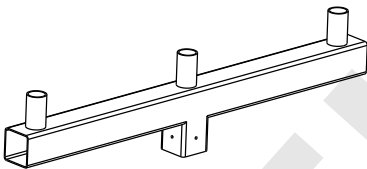
(PN: 4TRSHT90 & 5TRSHT90)



90 DEGREE QUAD SQUARE
HORIZONTAL TENON

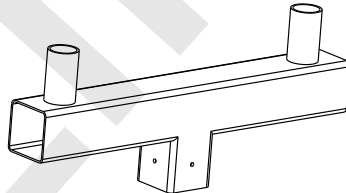
(PN: 4QSHT90 & 5QSHT90)

Direct fitment to pole



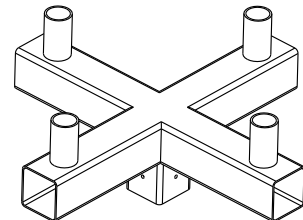
TRIPLE IN-LINE TENON (30")

(PN: 4TRSVT & 5TRSVT)



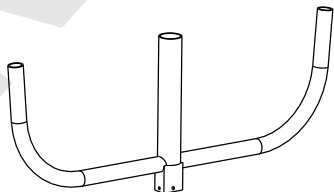
TWIN SQUARE TENON

(PN: 4TWSVT & 5TWSVT)



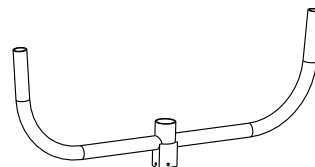
QUAD SQUARE TENON

(PN: 4QSVT90 & 5QSVT90)



180 DEGREE TRIPLE BULLHORN TENON

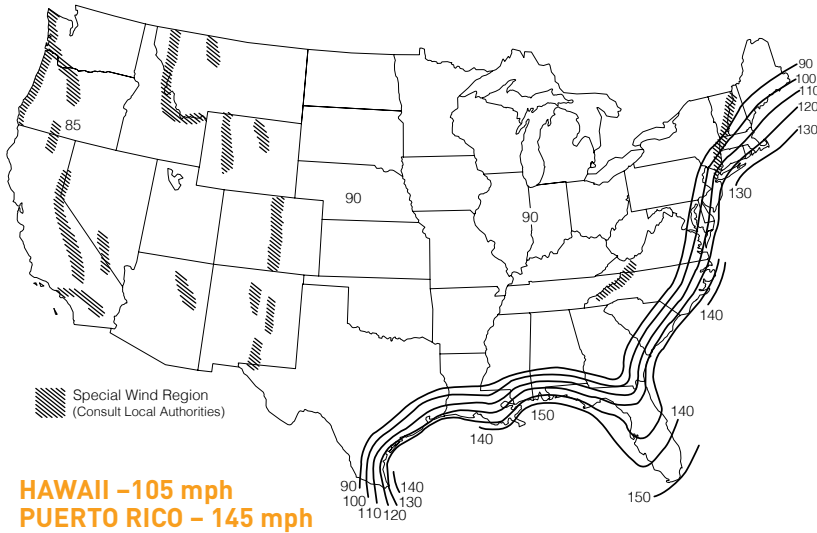
(PN: 4TRILT180 & 5TRILT180)



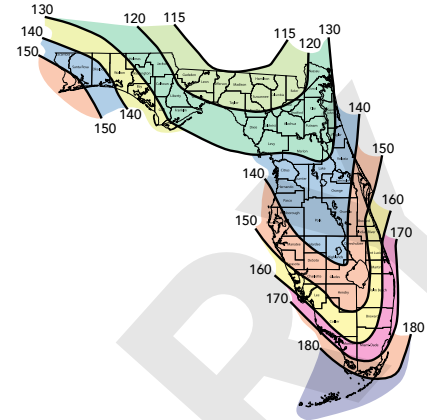
180 DEGREE DOUBLE BULLHORN TENON

(PN: 4DILT180 & 5DILT180)

ASCE7-05 WIND MAP



FLORIDA REGION WIND MAP



Florida region wind map above is based upon 3-second gust winds and the 2017 Florida Building Code

Allowable Wind Loading (AASHTO)

Catalog Number	Mounting Height (ft)	90 mph	100 mph	110 mph	120 mph	130 mph	150 mph	Anchor Bolt	
		EPA (ft²)	EPA (ft²)	EPA (ft²)	EPA (ft²)	EPA (ft²)	EPA (ft²)	Diameter (in)	Length (in)
SSS-4-G11-15-BZ	15	12.0	12.0	12.0	9.8	7.8	4.9	0.75	30
SSS-4-G11-17-BZ	17	12.0	12.0	9.9	7.6	5.9	3.3	0.75	30
SSS-4-G11-20-BZ	20	12.0	9.1	6.7	4.8	3.4	1.3	0.75	30
SSS-4-G11-25-BZ	25	7.0	4.6	2.7	1.3	0.3	-	0.75	30
SSS-5-G11-30-BZ	30	5.6	2.7	0.6	-	-	-	1.00	36
SSS-5-G07-30-BZ	30	11.7	7.8	4.8	2.5	0.8	-	1.00	36

- Applications: Lighting installations for side and top mounting of luminaires with an effective projected area (EPA) not exceeding maximum allowable loading of the specified pole in its installed geographic location.
- Allowable EPA, to determine max pole loading weight, multiply allowable EPA by 30 lbs.
- The Wind Maps are intended only as a general guide. Always consult local authorities to determine maximum wind velocities, gusting and unique wind conditions for each specific application.
- Allowable pole EPA for jobsite wind conditions must be equal to or greater than the total EPA for fixtures, arms, and accessories to be assembled to the pole. The responsibility lies with the specifier for correct pole selection. Installation of poles without luminaires or attachment of any unauthorized accessories to poles is discouraged and shall void the manufacturer's warranty.
- Wind speeds and listed EPAs are for ground-mounted installations. Poles mounted on structures (such as bridges and buildings) must consider vibration and coefficient of height factors beyond this general guide; Consult local and federal standards.
- Wind induced vibration brought on by steady, unidirectional winds and other unpredictable aerodynamic forces are not included in wind velocity ratings.
- Extreme wind events like hurricanes, typhoons, cyclones, or tornadoes may expose poles to flying debris, wind shear or other detrimental effects not included in wind velocity ratings. Due to our continued efforts to improve our products, product specifications are subject to change without notice.
- Factory supplied template must be used when setting anchor bolts. Eran Industrial will deny any warranty claim for incorrect anchorage placement resulting from failure to use factory supplied template and anchor bolts.
- For the diameter and depth of concrete pads for anchor bolts, please consult a qualified engineer.