



US00D867643S

(12) **United States Design Patent**
Evason

(10) **Patent No.:** **US D867,643 S**

(45) **Date of Patent:** **** Nov. 19, 2019**

(54) **LIGHT**

(71) Applicant: **ERAN NEW PRODUCT DEVELOPMENT LLC**, Boca Raton, FL (US)

(72) Inventor: **Michael Evason**, Ningbo (CN)

(73) Assignee: **ERAN NEW PRODUCT DEVELOPMENT LLC**, Boca Raton, FL (US)

(**) Term: **15 Years**

(21) Appl. No.: **29/628,601**

(22) Filed: **Dec. 6, 2017**

(51) **LOC (12) Cl.** **26-03**

(52) **U.S. Cl.**
USPC **D26/63**

(58) **Field of Classification Search**
USPC D26/60-66, 72, 85, 87, 92
CPC . F21K 9/00; F21V 5/007; F21V 7/005; F21V 7/0083; F21V 11/04; F21V 11/14; F21V 15/01; F21V 19/001; F21V 21/002; F21V 21/06; F21V 21/0885; F21V 21/145; F21V 21/30; F21V 33/0024; F21V 7/05
See application file for complete search history.

(56) **References Cited**

U.S. PATENT DOCUMENTS

D480,831 S * 10/2003 Pallo D26/63
D570,024 S * 5/2008 Guercio D26/63

D744,142 S * 11/2015 Bobel D26/63
D788,966 S * 6/2017 Gan D26/63
D806,300 S * 12/2017 York D26/63
D836,230 S * 12/2018 Guercio D26/63
D839,464 S * 1/2019 Chen D26/63

* cited by examiner

Primary Examiner — Brian N. Vinson

(74) *Attorney, Agent, or Firm* — Patentfile, LLC; Bradley C. Fach

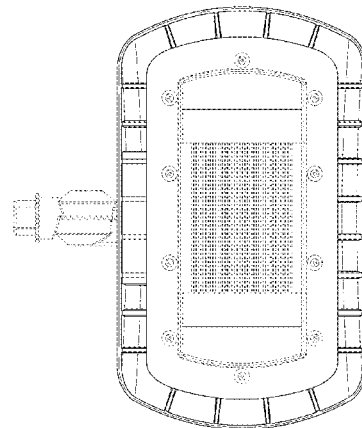
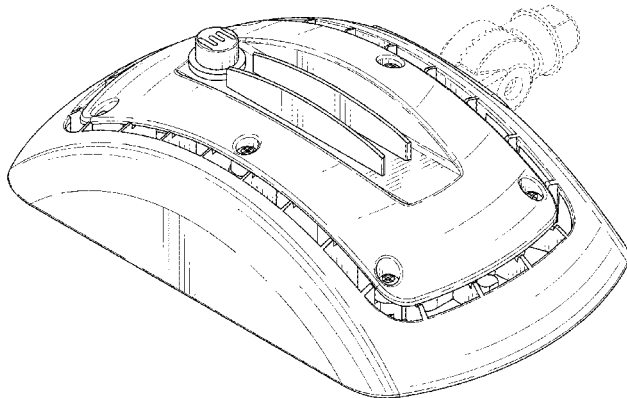
(57) **CLAIM**

The ornamental design for a light, as shown and described.

DESCRIPTION

FIG. 1 is a rear perspective view showing the new, original, and ornamental design of a light;
FIG. 2 is a right side elevation view thereof;
FIG. 3 is a left side elevation view thereof;
FIG. 4 is a top side plan view thereof;
FIG. 5 is a bottom side plan view thereof;
FIG. 6 is a rear side elevation view thereof; and,
FIG. 7 is a front side elevation view thereof.
The broken line disclosure represents portions of the light which form no part of the claimed design.

1 Claim, 5 Drawing Sheets



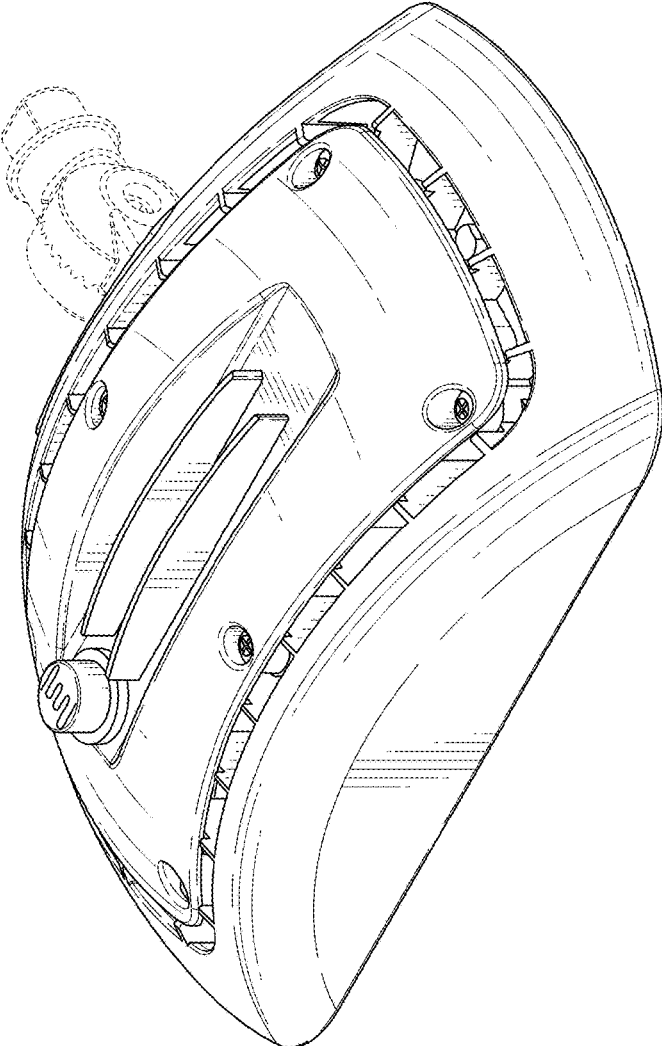


FIG. 1

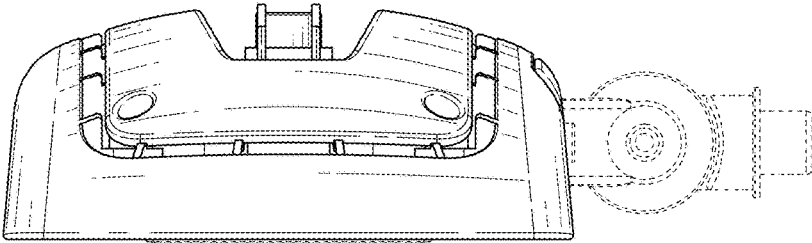


FIG. 2

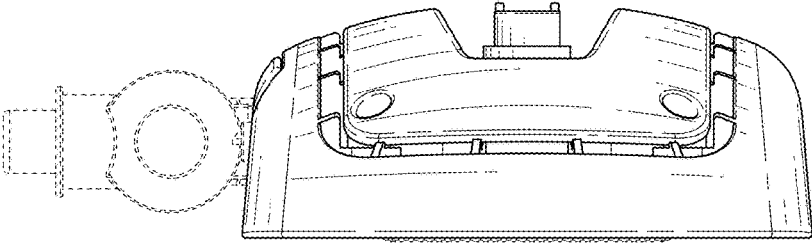


FIG. 3

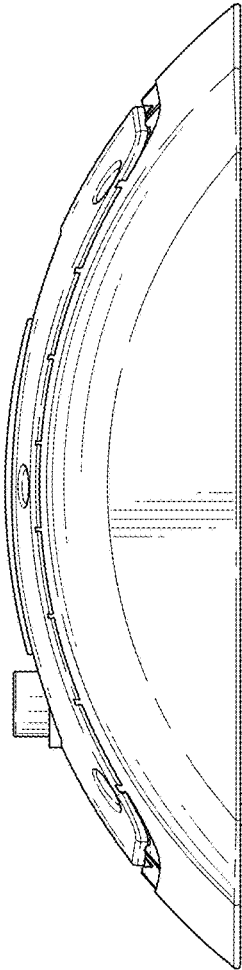


FIG. 4

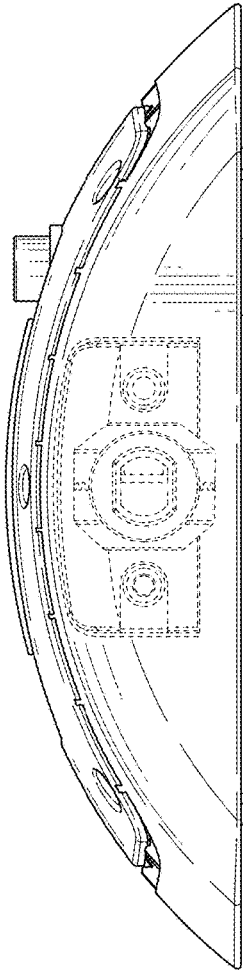


FIG. 5

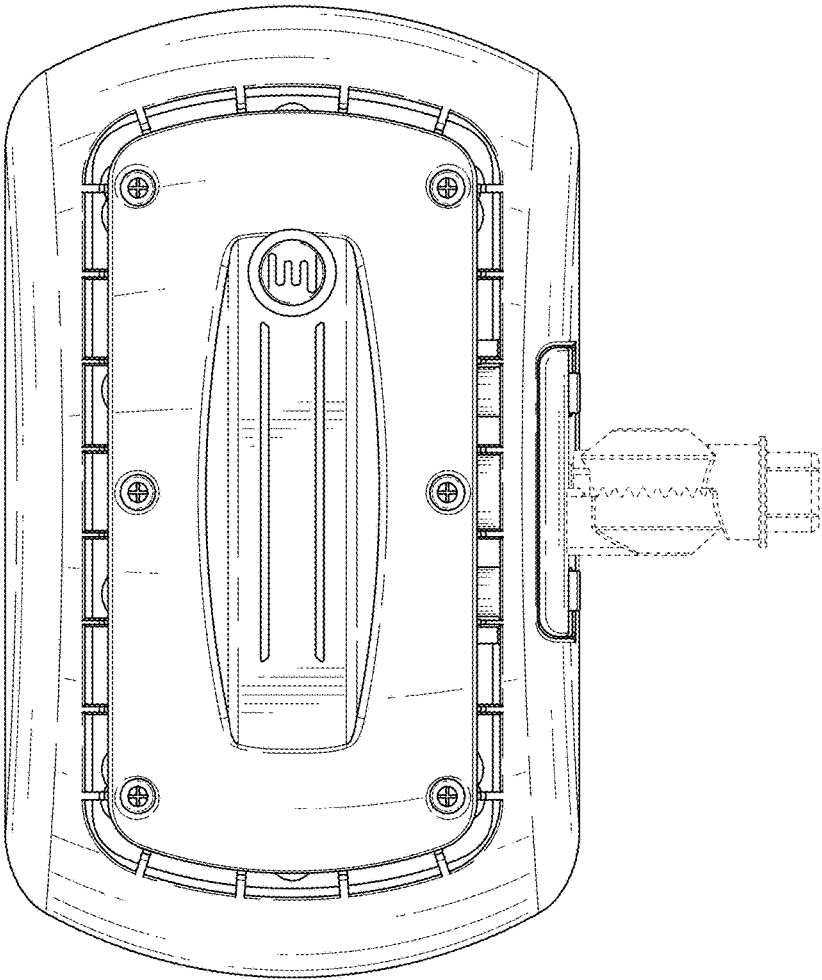


FIG. 6

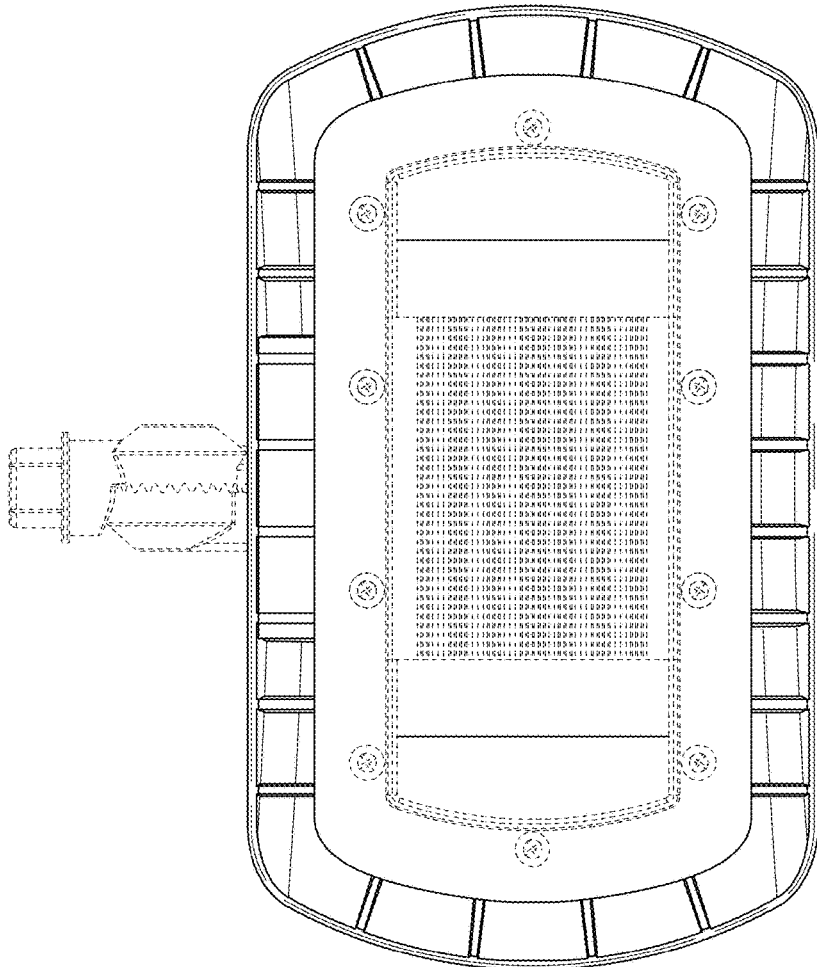


FIG. 7