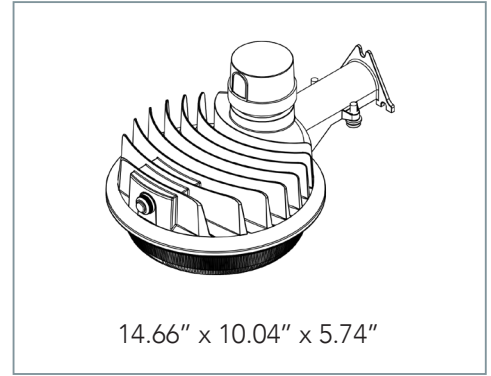
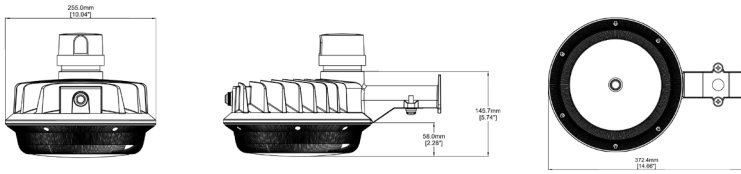


MOUNTING INSTRUCTIONS AREA LIGHT

SUITABLE FOR WATTAGES: 28W & 40W



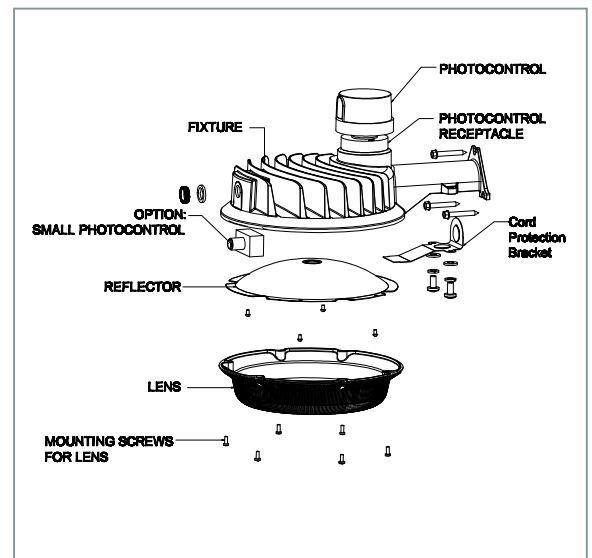
IMPORTANT: READ BEFORE REMOVING FIXTURE FROM CARTON. RETAIN FOR FUTURE REFERENCE.

This fixture must be wired and installed in accordance with the NATIONAL ELECTRICAL CODE and all state and applicable local codes and ordinances. These codes and ordinances supersede any and all instruction contained herein. Installation should be performed only by a licensed and bonded electrician and a person familiar with the construction and operation of the product and the hazards involved in the installation and operation of this product. Proper grounding is required for safety. Make certain power is OFF before installing or maintaining fixture. Failure to do so may increase the RISK OF PERSONAL INJURY, PROPERTY DAMAGE, FIRE, AND DEATH. The manufacturer takes no responsibility for the product not installed under those guidelines and those contained in this document. See wiring diagram on back

CAUTION: For proper weatherproof function all gaskets must be seated properly and all screws inserted and tightened firmly. Apply weatherproof silicone sealant (NOT included) around the edge of the Wall Box and/or Junction Box. This is especially important with an uneven wall surface. Silicone all plugs and unused conduit entries.

MOUNTING INSTRUCTIONS:

1. Attach the two piece mounting brackets to the extension arm by Interlocking the bracket and securing with the bolt and hex nut provided, leaving approximately one inch of the extension arm protruding out of the bottom of the bracket
2. Place the extension arm assembly onto the desired mounting surface and mark the four holes locations required for mounting
3. Remove the arm assembly and drill the four marked locations. Mount the extension arm using the hex head lag bolts provided. Tighten bolts.
4. Feed supply wires through the arm and make wiring connections to the light fixture. Secure arm with light fixture using bracket and bolts provided. Fasten reflector to the fixture using two screws with washer
5. Insert the photo control into the photo control receptacle/ socket on top of the fixture by aligning the large prong on the photo control with the large opening in the photo control receptacle / socket. Push down on photo control and twist clockwise to lock. (Make sure photo control receptacle/socket does not rotate prior to installing photo control)
6. PHOTO CONTROL MUST BE LOCKED IN. Window or arrow on top of photo control should be pointed away from the mounting surface. The receptacle/socket may be repositioned by loosening the screw in the center of the photo control receptacle/socket
7. Do not rotate receptacle/ socket over 360 degrees you can twist receptacle/socket wires



MOUNTING INSTRUCTIONS

AREA LIGHT

SUITABLE FOR WATTAGES: 28W & 40W

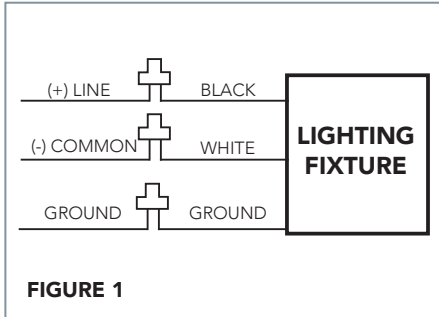


FIGURE 1

ON-OFF WIRING METHOD:

Universal voltage driver permits operation at 120V through 277V, 50 or 60 Hz. Units ordered with (480V) suffix are 480V, 60Hz. For Non-Dimming, follow the wiring directions as in FIG. 1

1. Connect the GROUND wire from fixture to supply ground
2. Connect the white fixture lead to the (-) COMMON supply lead
3. Connect the black fixture lead to the (+) LINE supply lead

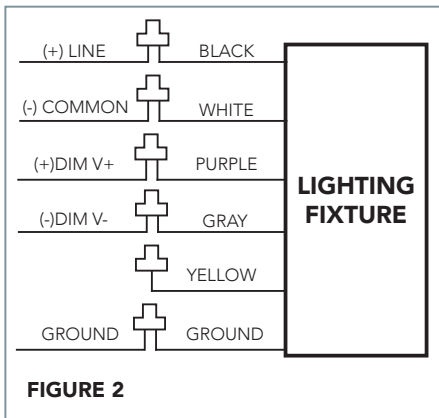


FIGURE 2

0-10V DIMMABLE WIRING METHOD:

Universal voltage driver permits operation at 120V through 277V, 50 or 60 Hz. For 0-10V Dimming, follow the wiring directions as in figure 2

1. Connect the GROUND wire from fixture to supply ground
2. Connect the white fixture lead to the (-) COMMON supply lead
3. Connect the black fixture lead to the (+) LINE supply lead
4. Connect the purple fixture lead to the (V+) DIM lead
5. Connect the gray fixture lead to the (V-) DIM lead
5. Cap the yellow fixture lead, if present. DO NOT connect

TROUBLESHOOTING:

1. Check that the line voltage at fixture is correct
2. Is there voltage at the lamp fixture wires? If there is no voltage, check all connections
3. Ensure that the fixture is grounded properly