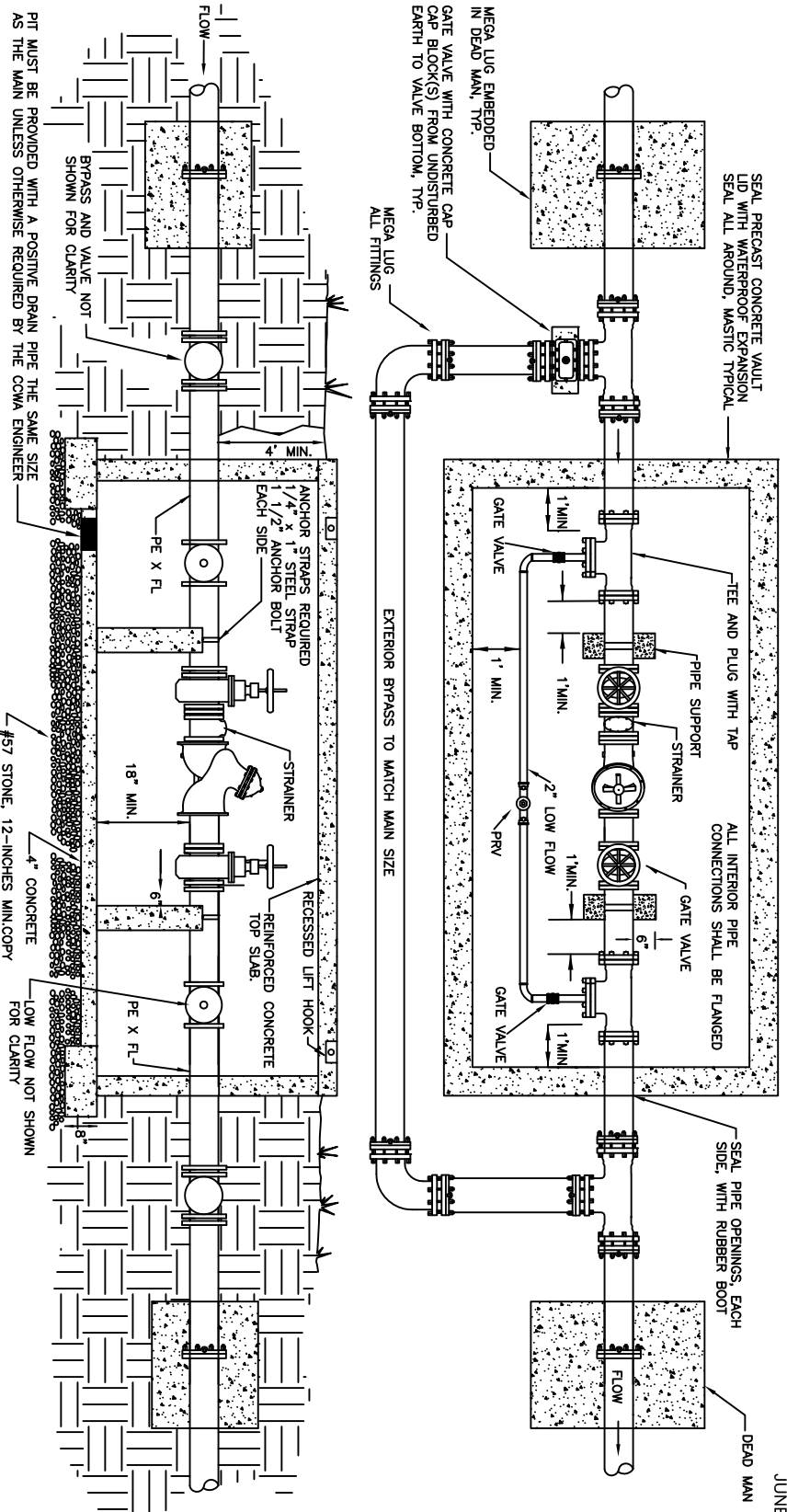


CARROLL COUNTY WATER AUTHORITY

FIG. 20
JUNE 2016



1. ALUMINUM ACCESS DOOR FRAME AND COVER SHALL BE INTEGRALLY CAST IN CONCRETE VAULT TOP. PROVIDE DOOR WITH HANDLE AND SECURED WITH PAD LOCK. PROVIDE ALUMINUM COVER SUITABLE FOR A MIN. 150 PSF LIVE LOAD.
2. ACCESS DOOR SHALL BE CENTERED OVER PRESSURE REDUCING VALVE. HATCH SIZE SHALL BE 3' X 3' FOR PRVs SIZED 3" AND SMALLER AND 3' X 6' OR 4' X 6' FOR LARGER PRVs.
3. ALL CONNECTIONS SHALL BE FLANGED.
4. PRV SHALL BE INSTALLED LEVEL.

5. PROVIDE DRAIN PIPE CONNECTED TO FLOOR DRAIN SIZED TO MATCH WATER MAIN (3" MINIMUM) OR AS REQUIRED BY COWA. PIPE MUST MAINTAIN A MINIMUM OF 1% SLOPE AND DAYLIGHT TO FINISHED GRADE OR INTO STORM SEWER.
6. VAULT SHALL BE COVERED WITH A REMOVABLE PRECAST CONCRETE COVER. THE COVER SHALL BE 6" THICK WITH STEEL REINFORCEMENT. COVER SHALL BE SEALED TO TOP OF WALLS USING GASKET MATERIAL.
7. PROVIDE MIN. 18" OF NO. 57 STONE UNDER PRECAST CONCRETE VAULT.

8. PROVIDE NON-CORROSIVE PIPE SUPPORTS AS NEEDED TO PREVENT STRESS ON PIPING SYSTEM AND COMPONENTS IN VAULT.
9. TOP OF VAULT SHALL EXTEND 3" ABOVE FINISH GRADE. PROVIDE DRAINAGE AWAY FROM VAULT IN ALL DIRECTIONS.
10. SEAL ANNULUS BETWEEN PIPE AND WALL OPENING WITH HYDRAULIC CEMENT. ENSURE NO CONTACT BETWEEN PIPE AND VAULT WALL.
11. SEAL LIFTING HOLES TO FULL DEPTH WITH NON-SHRINK GROUT.

PRESSURE REDUCING VALVE