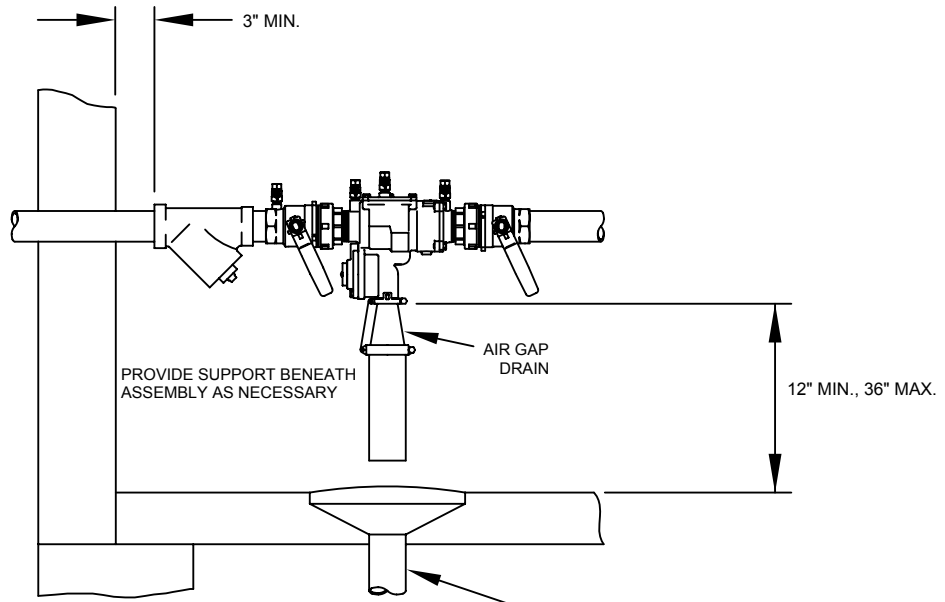


PLAN VIEW



ADEQUATE DRAIN SHALL BE PROVIDED TO PREVENT WATER DAMAGE WHEN RELIEF VALVE DISCHARGES. MINIMUM DRAIN CAPACITY 60 GPM.

PROFILE VIEW

REDUCED PRESSURE ASSEMBLY INDOOR INSTALLATION