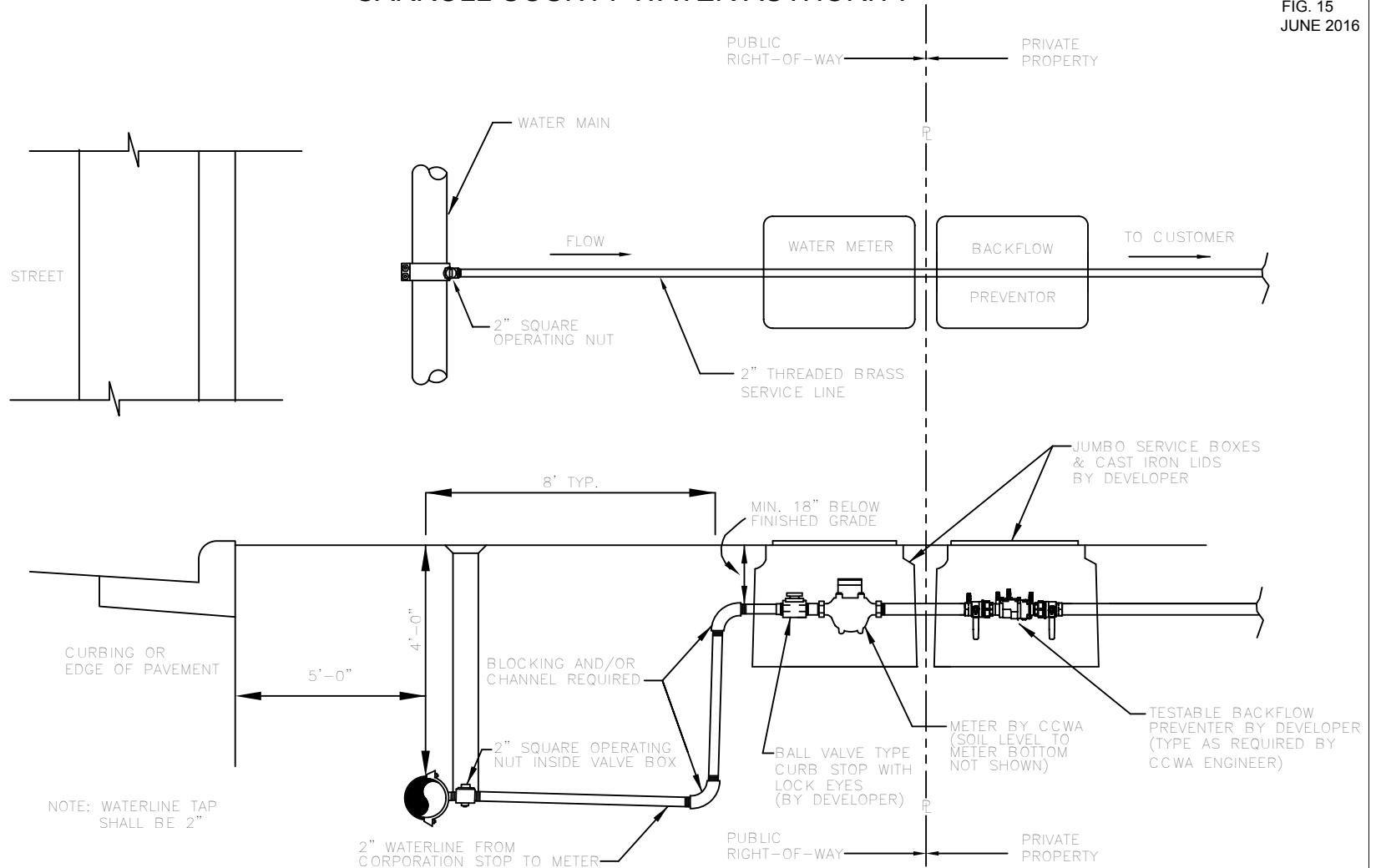


CARROLL COUNTY WATER AUTHORITY

FIG. 15
JUNE 2016



1-1/2" AND 2" METER AND DOUBLE CHECK BACKFLOW PREVENTER INSTALLATION