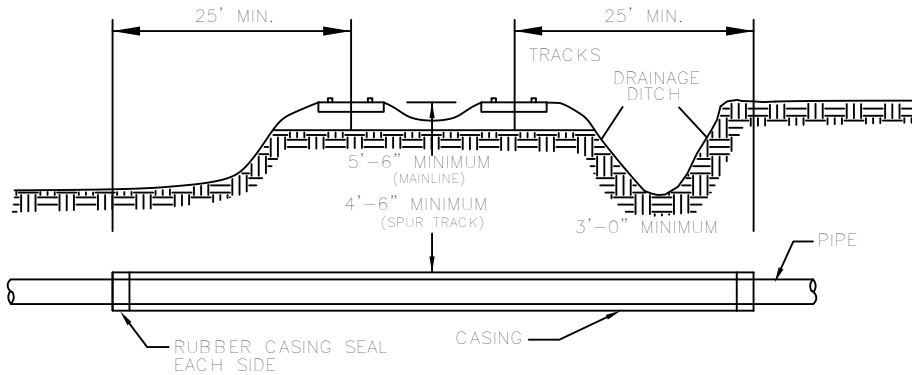
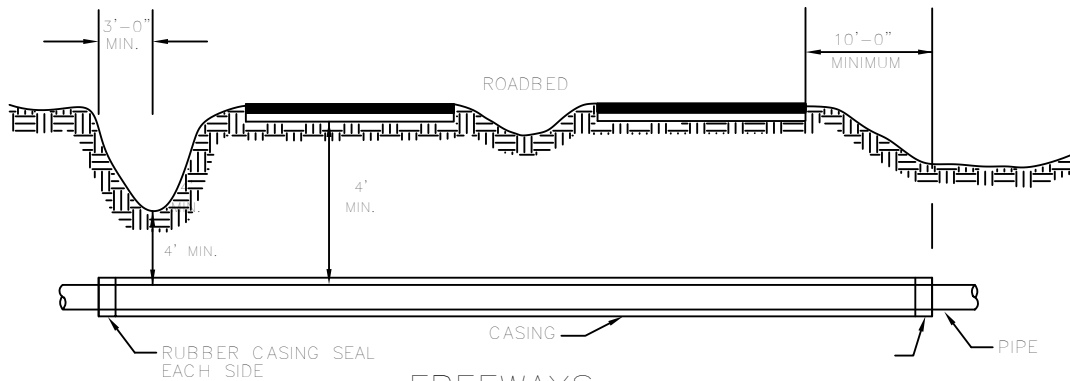


# CARROLL COUNTY WATER AUTHORITY

FIG. 3  
MAR. 2013

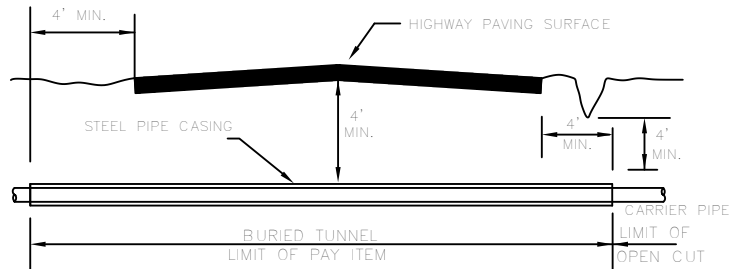
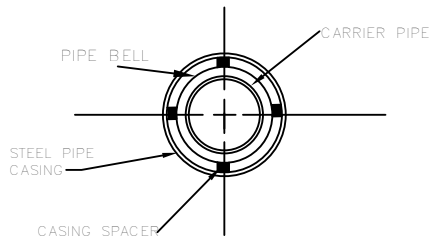


## RAILROADS



## FREEWAYS

N.T.S.



- NOTES: 1. SEE CASING CHART FOR CASING SIZE REQUIREMENTS  
2. LOCKING GASKETS REQUIRED INSIDE ALL CASING  
3. TRACER WIRE REQUIRED INSIDE ALL CASING  
4. CASING SPACERS REQUIRED

# TYPICAL RAILROAD OR HIGHWAY CROSSING