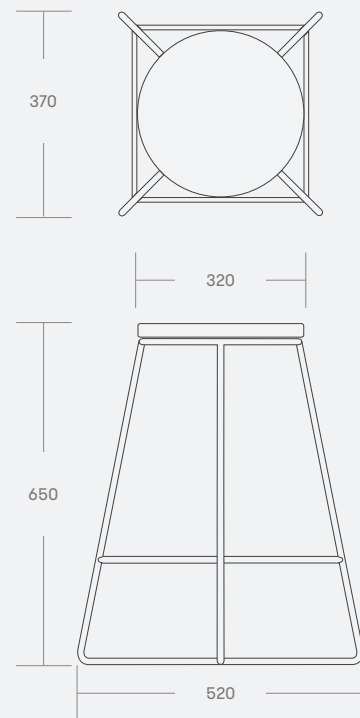




Standard Barstool



Standard Barstool

## Signature Barstool

### Description

Featuring a rounded timber or upholstered top and powder-coated steel frame, the stool transitions seamlessly between restaurant, retail and commercial settings.

### Materials

**Top:** Rounded timber or upholstered top.  
**Base:** Mild Steel - 12mm round, powder coated with clip on protective feet.

### Sizes (mm)

**Short:** 450(h) / 450(w) base / 320(w) top  
**Standard:** 650(h) / 520(w) base / 320 (w) top  
**Tall:** 750(h) / 560(w) base / 320 (w) top

### Top Finishes\*

-  American White Oak
-  Victorian Ash
-  Spotted Gum
-  Blackbutt
-  Reclaimed Douglas Fir

### Base Finishes\*

-  Matte Black
-  Flat White
-  Woodland Grey
-  Raw Waxed

### Fabric Finishes\*

-  Chambray Charcoal
-  Chambray Lake
-  Chambray Mustard

To discuss an order or request 3D Files, please email [info@ferrierfurniture.com](mailto:info@ferrierfurniture.com)

\*Other colour options available