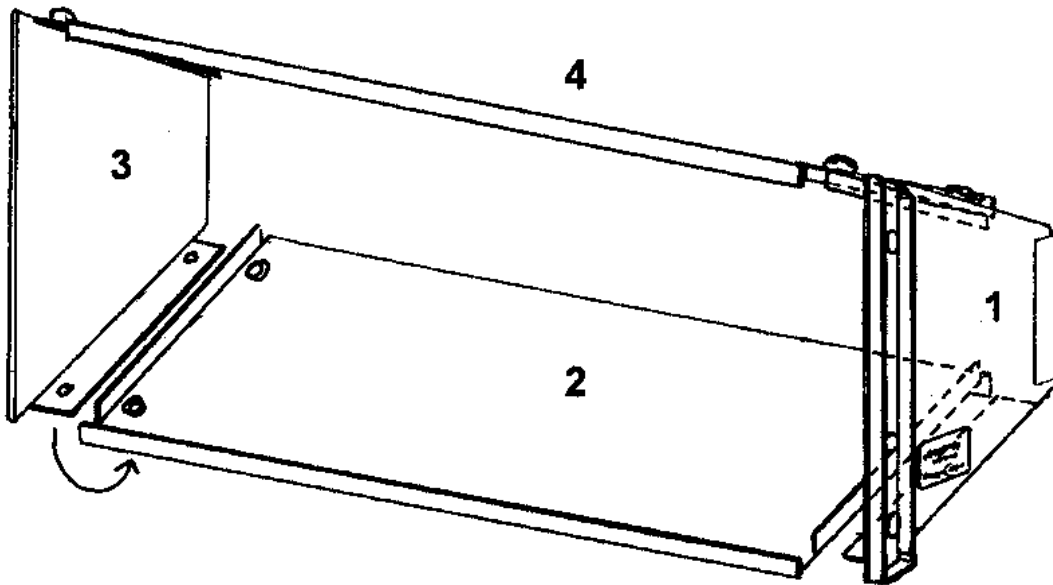


## **Photon Beard Highlight Box** **Intensifiers** **Assembly instructions**

These instructions cover the following models:

**A8700 110 Box Intensifier, A8702 220 Box Intensifier, A8704 330 Box Intensifier, A8705 440 Box Intensifier**



(A8700 model shown, others are similar)

### **To assemble the box intensifier**

Engage the latch end panel (1) onto one of the large reflector panels (2) so that the panel fasteners in the latch panel engage in the threaded bushes in the large reflector (2) as shown above. Ensure the front edge lips inwards and the rear edge lips outwards, as shown above. Screw the panel fastener into the threaded bush. Repeat for the other end panel (3), then fit the other large reflector panel (4).

### **To fit the box intensifier to the Highlight**

Open the latch panel on the Highlight lamphead by simultaneously pressing the lock button and pulling the latch downwards. Slide the intensifier into the front slot on the lamphead, then close the latch by pushing it upwards.

### **To fit a honeycomb spot grid to box the intensifier**

Open the latch panel on the box intensifier by simultaneously pressing the lock button and pulling the latch downwards. Slide the honeycomb spot grid onto the guide rails of the box intensifier, then close the latch by pushing it upwards.

**Other accessories are available for your Highlight, please see overleaf:**

**Other accessories for your Highlight**

Colour Frames with wire safety screen fit to the lamphead to allow correction and effect filters to be used. Wire mesh screen protects lamps from damage.

**A8710** to fit all Highlight 110 models

**A8711** to fit all Highlight 220 models

**A8712** to fit all Highlight 330 models

**A8716** to fit all Highlight 440 models

Cyclorama hoods: for even illumination of Cyclorama backgrounds.

**A8701** to fit all Highlight 110 models

Honeycomb grids: for spotlighting effects, available to fit both lampheads and box intensifiers in 30 and 40 degree beam angles.

**Service and spare parts**

We operate a full repair service at our headquarters. We can also supply spare parts for people wishing to carry out their own repairs. When ordering spare parts please quote the serial number shown on the rating plate.

**Warranty**

Photon Beard Products are guaranteed against faulty materials and workmanship for a period of one year from the date of the original user's purchase, and is limited to repair or replacement at our discretion. This guarantee does not cover product misuse or any consequential loss arising from product failure. Your statutory rights are not affected.

**Conformity**

Photon Beard products conform to appropriate European standards, specifically:

73/23/EEC 1995 Low voltage directive

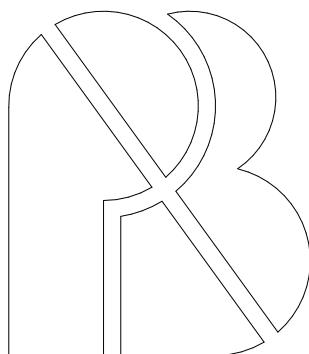
93/68/EEC 1995 CE marking directive

89/336/EEC EMC directive

Standards applied: EN60950, EN 50081-2, EN55014, EN55022

**RoHS** Photon Beard products do not contain more than the maximum permitted levels of hazardous substances as laid down in the European directive on the restriction of use of certain hazardous substances

**WEEE** Under the European directive on the disposal of waste electrical and electronic equipment this equipment should only be disposed of through approved recycling facilities and not through landfill waste disposal. If you are within the European Economic Community and you wish Photon Beard to dispose of this equipment on your behalf please contact the company.



Photon Beard Ltd  
Unit k3 Cherry Court Way  
Stanbridge Road  
Leighton Buzzard  
LU7 4UH  
UK.  
Tel: +44(0)1525 850911  
Fax: +44(0)1525 850982  
Email: [info@photonbeard.com](mailto:info@photonbeard.com)  
[www.photonbeard.com](http://www.photonbeard.com)