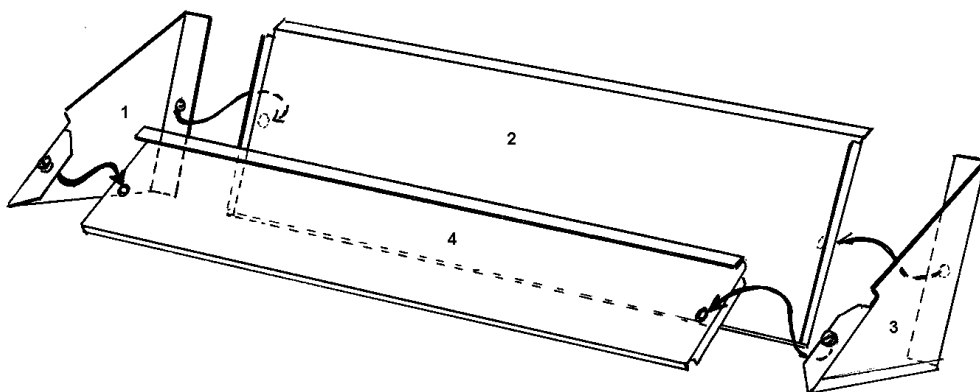


Photon Beard Highlight Cyclorama Hood **Assembly instructions**

These instructions cover the following models:

A8701 110 Cyclorama Hood

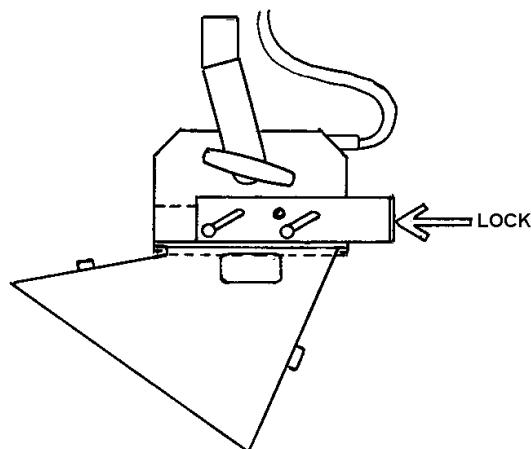


To assemble the cyclorama hood

Engage one end panel (1) onto the large reflector panel (2) so that the panel fastener in the latch panel engages in the threaded bush in the large reflector (2) as shown above. Ensure the front edge lips inwards and the rear edge lips outwards, as shown above. Screw the panel fastener into the threaded bush. Repeat for the other end panel (3), then fit the smaller reflector panel (4).

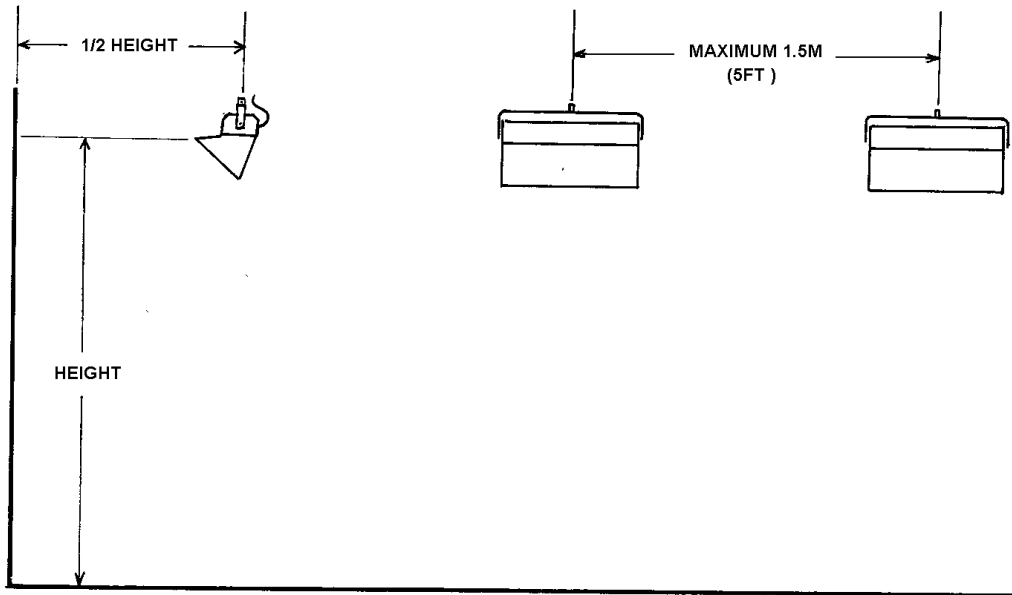
To fit the cyclorama hood to the Highlight 110

Open the latch panel on the Highlight lamphead by simultaneously pressing the lock button and pulling the latch downwards. Slide the intensifier into the front slot on the lamphead as shown in the diagram below, then close the latch by pushing it upwards.



Rigging the lamphead/cyclorama hood assembly

Rig the luminaire so that the horizontal distance to the cyclorama is equal to half the cyclorama height; e.g. if the cyclorama is 3 metres (10ft) high, then the luminaire should be 1.5 metres (5ft) away from it. Maximum spacing for even lighting is 1.5 metres (5ft) centre to centre, closer spacing gives the possibility of brighter illumination.



Other accessories for your Highlight

Colour Frames with wire safety screen fit to the lamphead to allow correction and effect filters to be used. Wire mesh screen protects lamps from damage.

- A8710** to fit all Highlight 110 models
- A8711** to fit all Highlight 220 models
- A8712** to fit all Highlight 330 models

Cyclorama hoods: for even illumination of Cyclorama backgrounds.

- A8701** to fit all Highlight 110 models
- A8703** to fit all Highlight 220 models

Honeycomb grids: for spotlighting effects, available to fit both lampheads and box intensifiers in 30 and 40 degree beam angles.

Service and spare parts

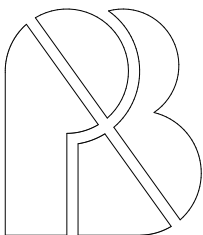
We operate a full repair service at our headquarters. We can also supply spare parts for people wishing to carry out their own repairs. When ordering spare parts please quote the serial number shown on the rating plate.

Warranty

Photon Beard Products are guaranteed against faulty materials and workmanship for a period of one year from the date of the original user's purchase, and is limited to repair or replacement at our discretion. This guarantee does not cover product misuse or any consequential loss arising from product failure. Your statutory rights are not affected.

RoHS Photon Beard products do not contain more than the maximum permitted levels of hazardous substances as laid down in the European directive on the restriction of use of certain hazardous substances

WEEE Under the European directive on the disposal of waste electrical and electronic equipment this equipment should only be disposed of through approved recycling facilities and not through landfill waste disposal. If you are within the European Economic Community and you wish Photon Beard to dispose of this equipment on your behalf please contact the company.



Photon Beard Ltd
 Unit k3 Cherry Court Way
 Stanbridge Road
 Leighton Buzzard
 LU7 4UH
 UK.
 Tel: +44(0)1525 850911
 Fax: +44(0)1525 850982
 Email: info@photonbeard.com
www.photonbeard.com