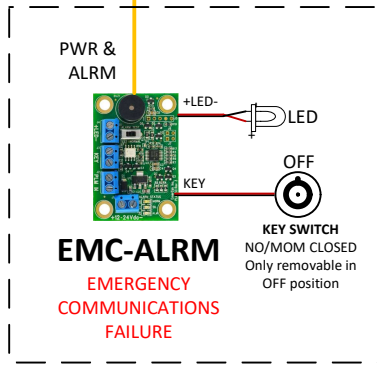





**Group
Hall Fixture**
(in the vicinity of
the Fire Recall)



LEGEND	
	18 AWG
	STP
	Shielded CAT5



File	W009 Low-Rise Duplex PAC R1.pdf
Subject	Low-Rise Duplex for ASME/B44: 2016 Safety Code
Author	EmerCom Engineering support@emercom.ca

Last Updated	September 28, 2020
Revision Page	1 of 1