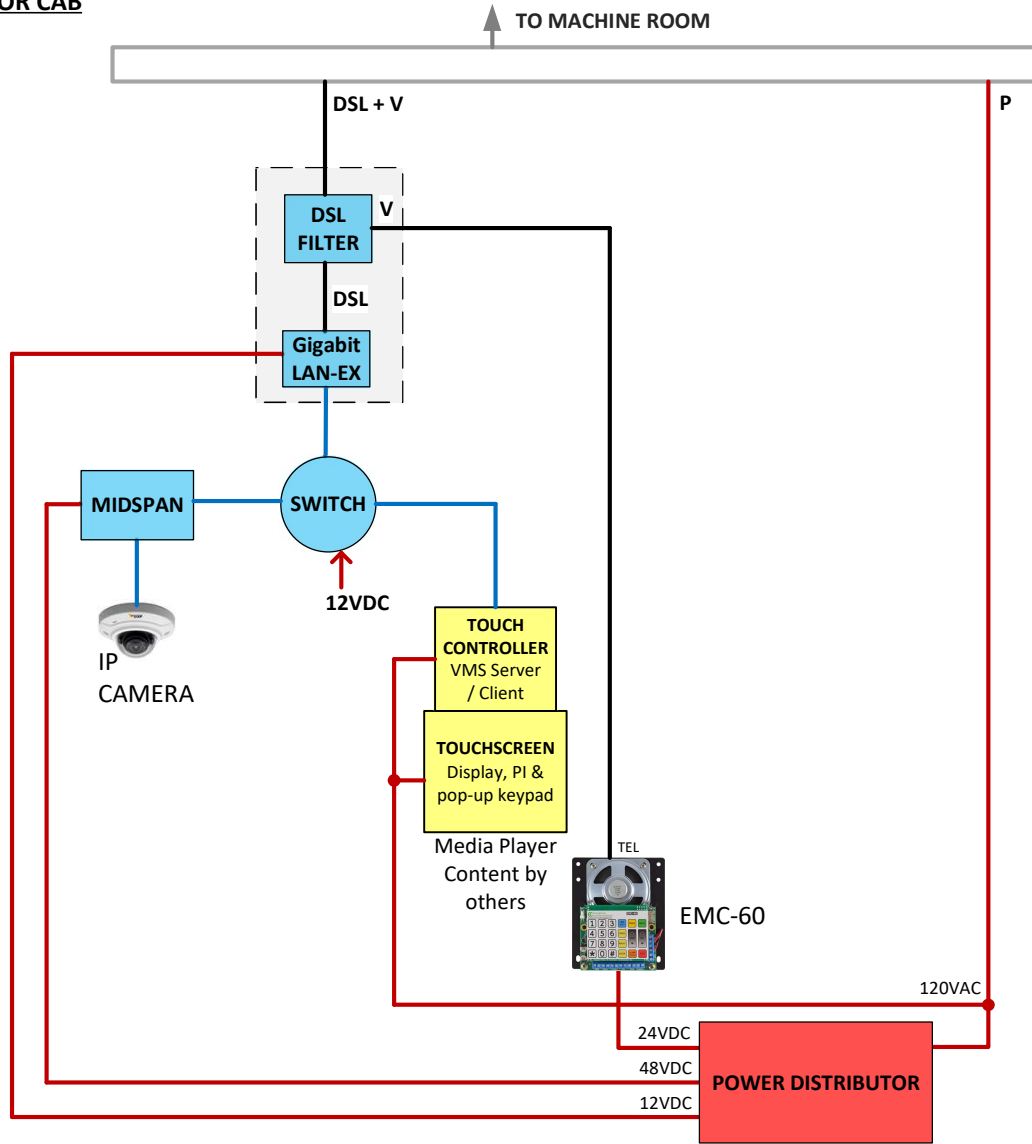





**ELEVATOR CAB**



LEGEND	
V	Voice
P	Power
DSL	2-wire Ethernet
E	Ethernet
	18 AWG
	CAT-6
	STP



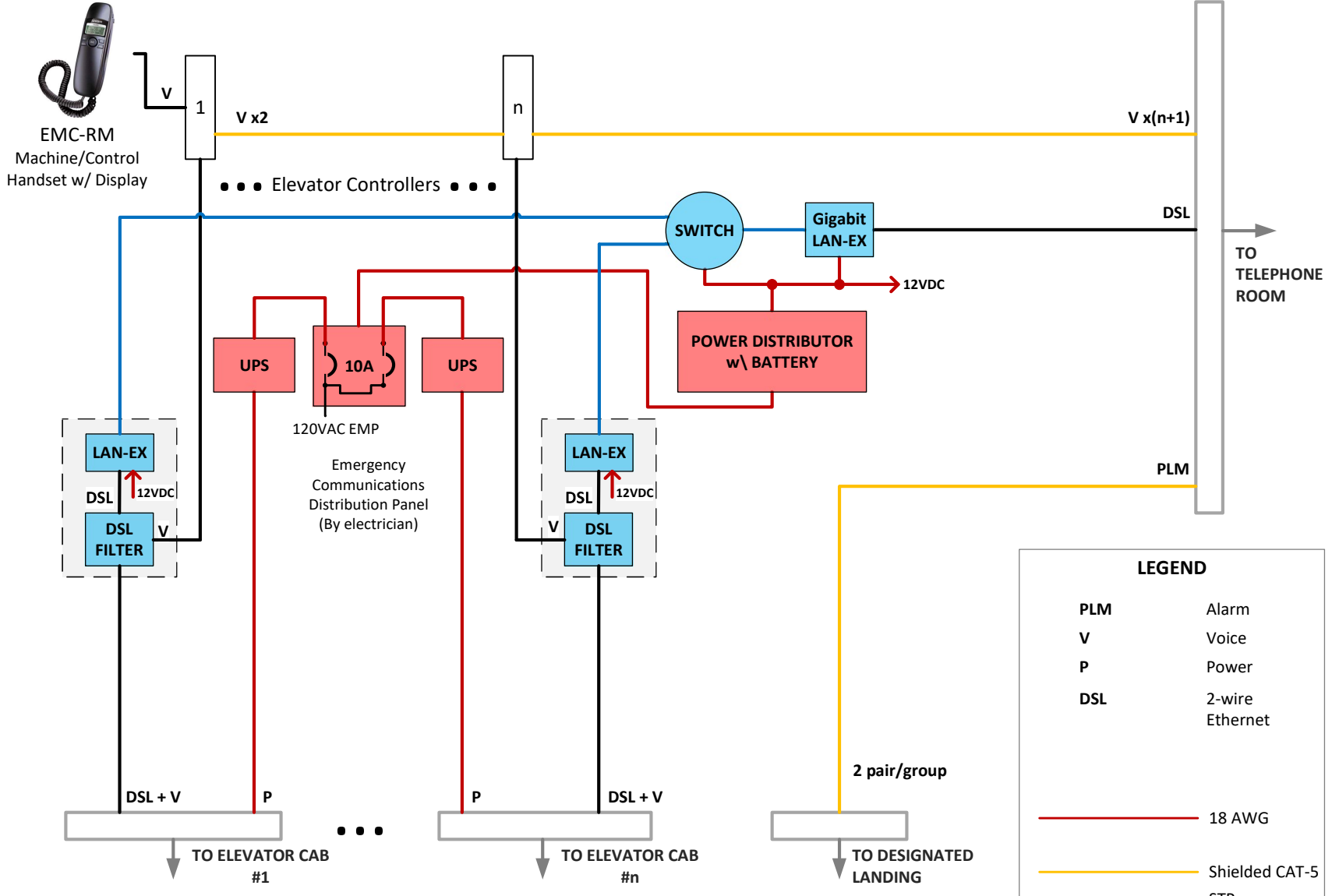
File Subject  
Author

W003 High-Rise IBC 2018 R2.pdf  
For High-Rise IBC 2018  
EmerCom Engineering  
support@emercom.ca

Last Updated  
Revision Page

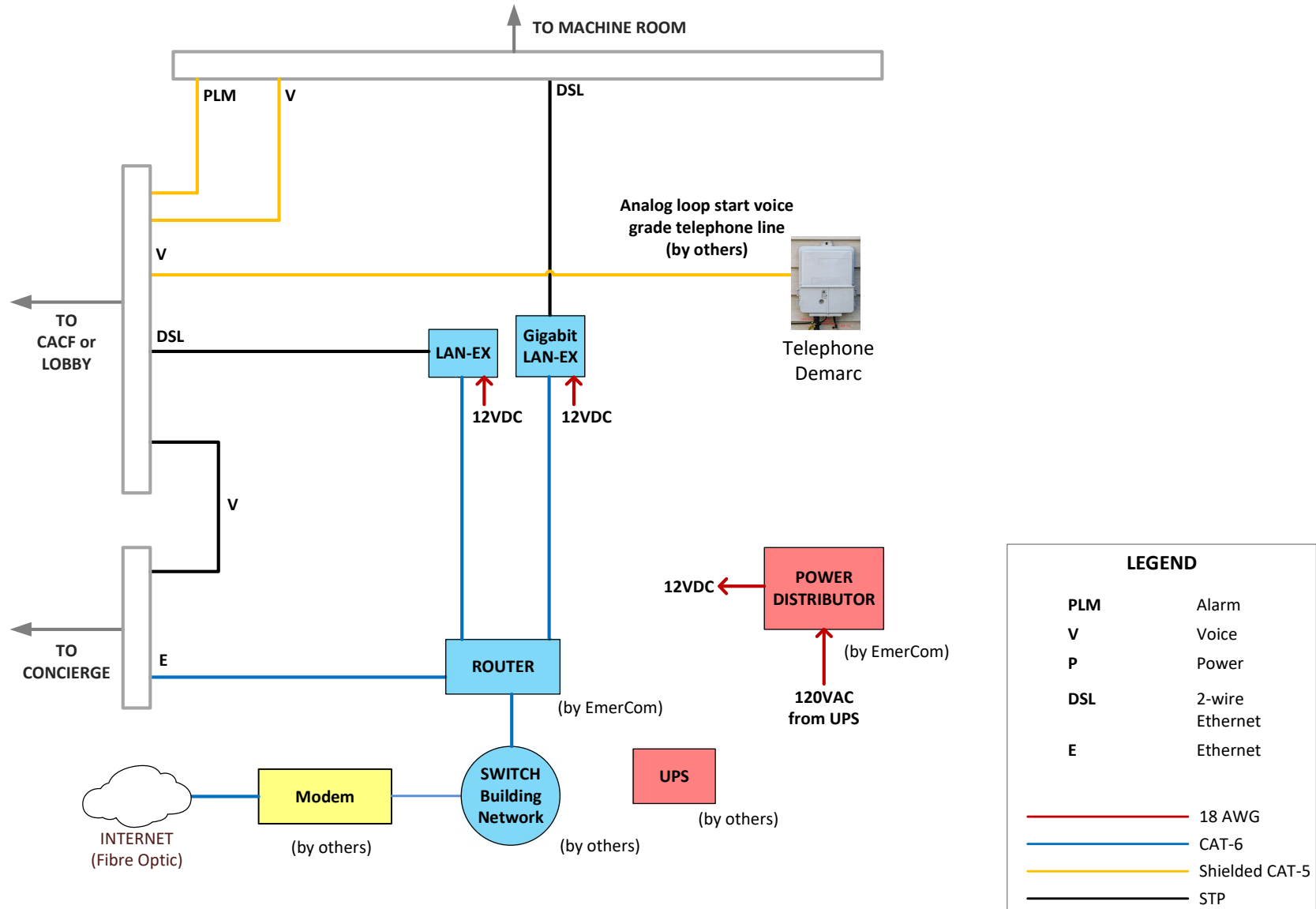
April 12, 2020  
1 2 of 5

**MACHINE ROOM**



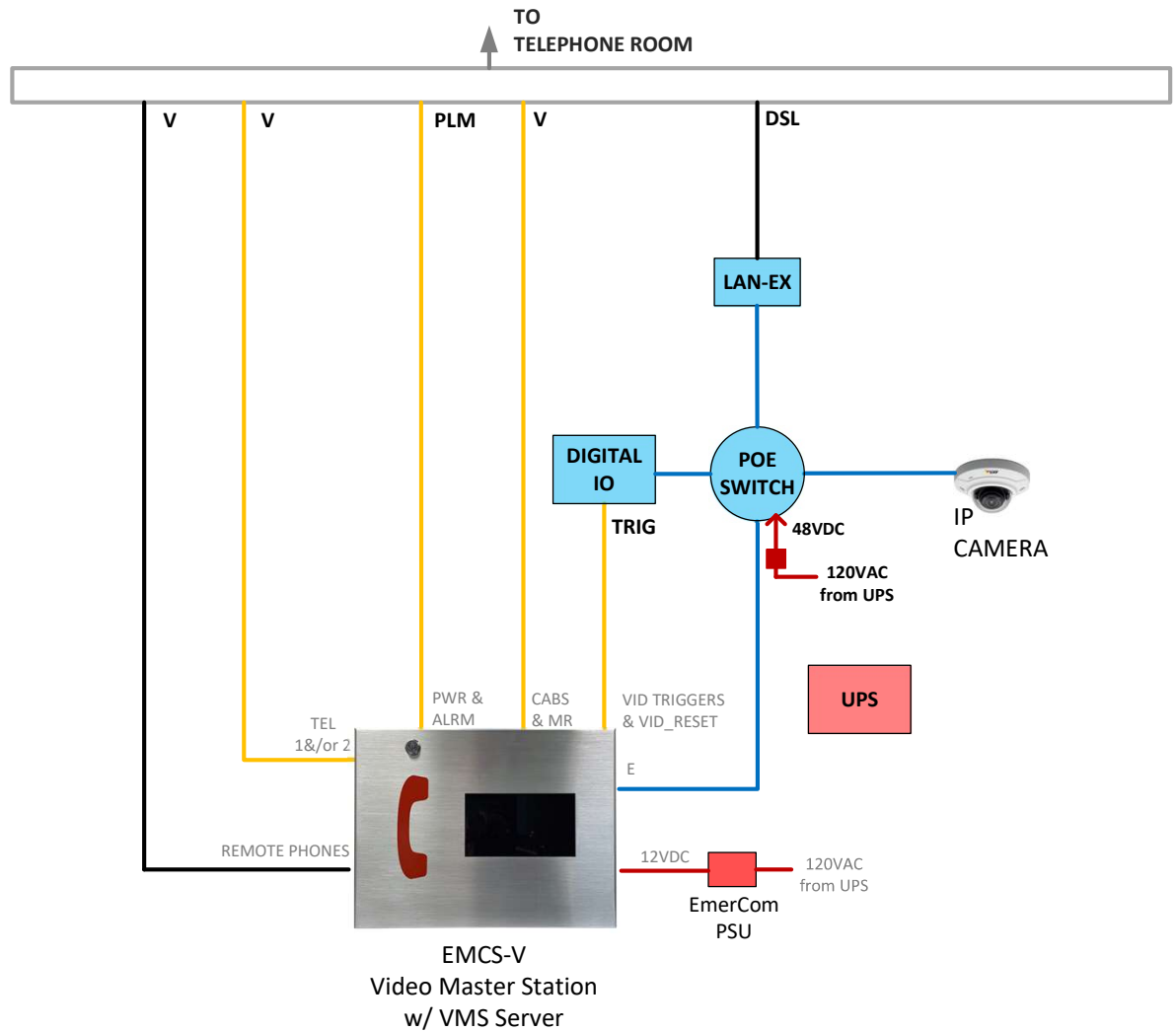
	File Subject	W003 High-Rise IBC 2018 R2.pdf For High-Rise IBC 2018	Last Updated	April 12, 2020
	Author	EmerCom Engineering support@emercom.ca	Revision Page	2 of 5





**TELEPHONE ROOM**




	File Subject	W003 High-Rise IBC 2018 R2.pdf For High-Rise IBC 2018	Last Updated	April 12, 2020
	Author	EmerCom Engineering support@emercom.ca	Revision Page	3      2 of      5

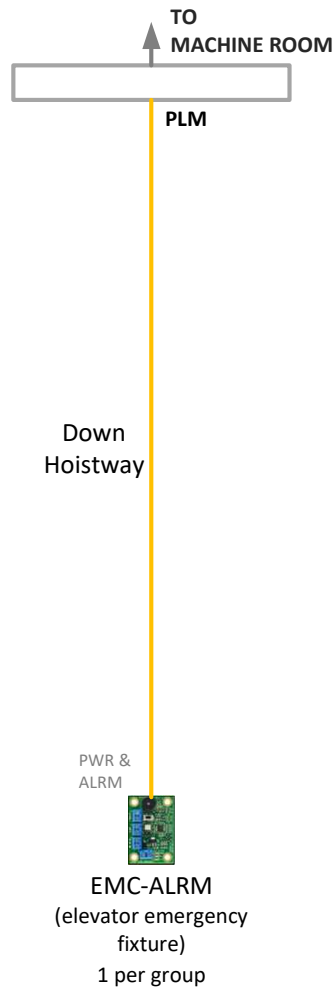
**CACF or LOBBY**



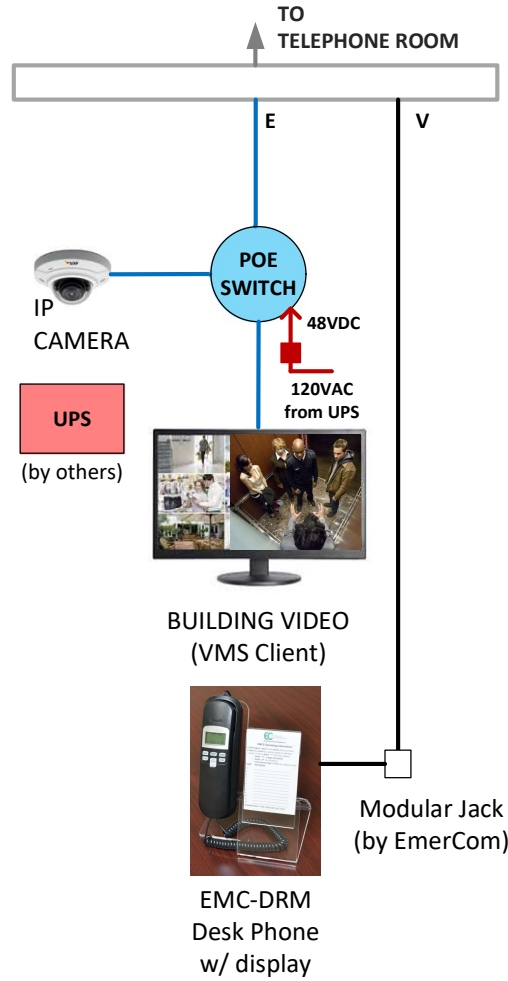
LEGEND	
PLM	Alarm
V	Voice
P	Power
E	Ethernet
	18 AWG
	CAT-6
	Shielded CAT-5
	STP

	File Subject	W003 High-Rise IBC 2018 R2.pdf For High-Rise IBC 2018	Last Updated	April 12, 2020
	Author	EmerCom Engineering support@emercom.ca	Revision Page	4      2 of      5





**DESIGNATED LANDING**



**CONCIERGE DESK**



**LEGEND**

<b>PLM</b>	Alarm
<b>V</b>	Voice
<b>P</b>	Power
<b>DSL</b>	2-wire Ethernet
<b>E</b>	Ethernet
<b>TRIG</b>	I/O
	18 AWG
	CAT-6
	Shielded CAT-5
	STP



File Subject	W003 High-Rise IBC 2018 R2.pdf For High-Rise IBC 2018
Author	EmerCom Engineering support@emercom.ca

Last Updated	April 12, 2020
Revision Page	5      2 of      5