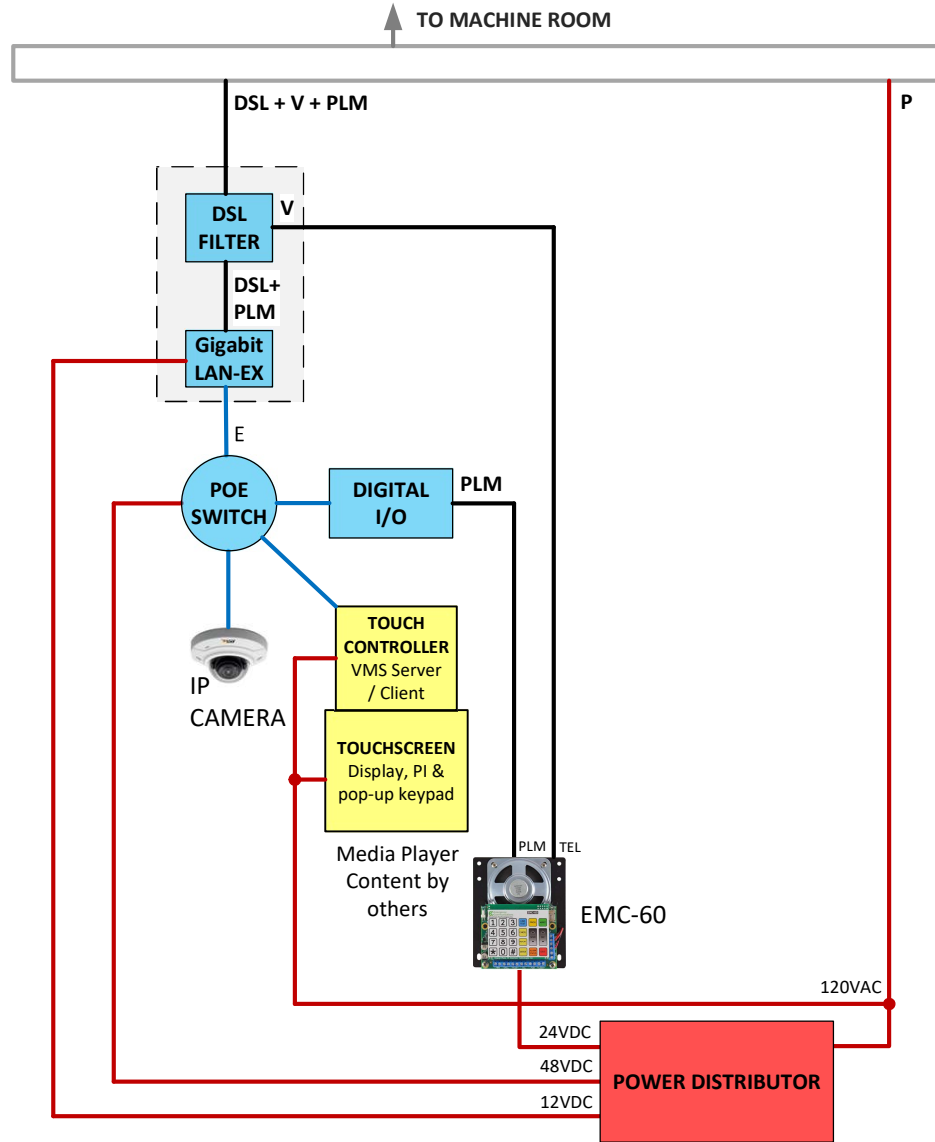






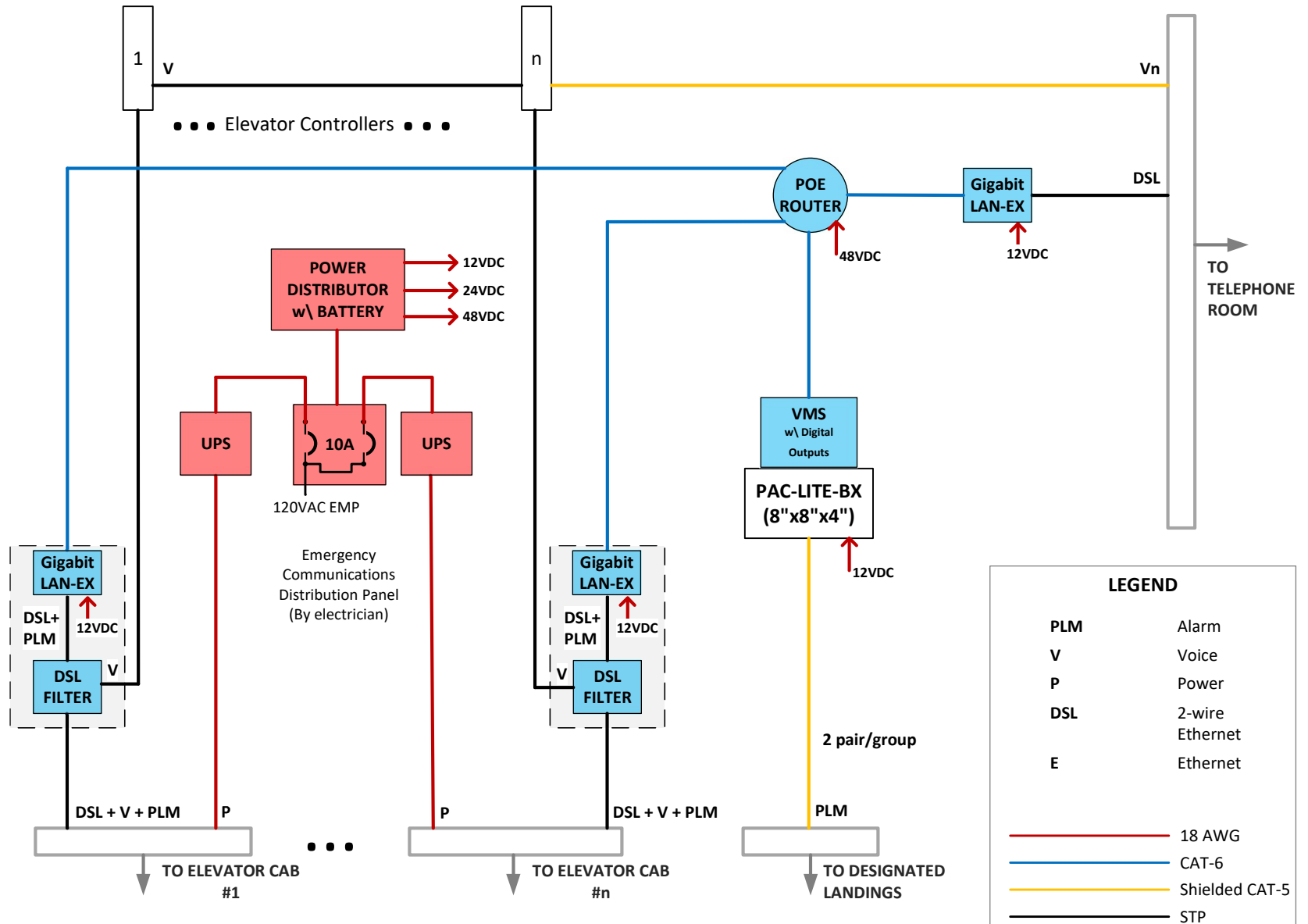
**ELEVATOR CAB**




LEGEND	
PLM (ECF)	Alarm
V	Voice
P	Power
DSL	2-wire Ethernet
E	Ethernet
	18 AWG
	CAT-6
	STP

	File Subject	W001 Low-Rise IBC 2018 R2.pdf For Low-Rise IBC 2018	Last Updated	May 5, 2020
	Author	EmerCom Engineering support@emercom.ca	Revision Page	1 of 4

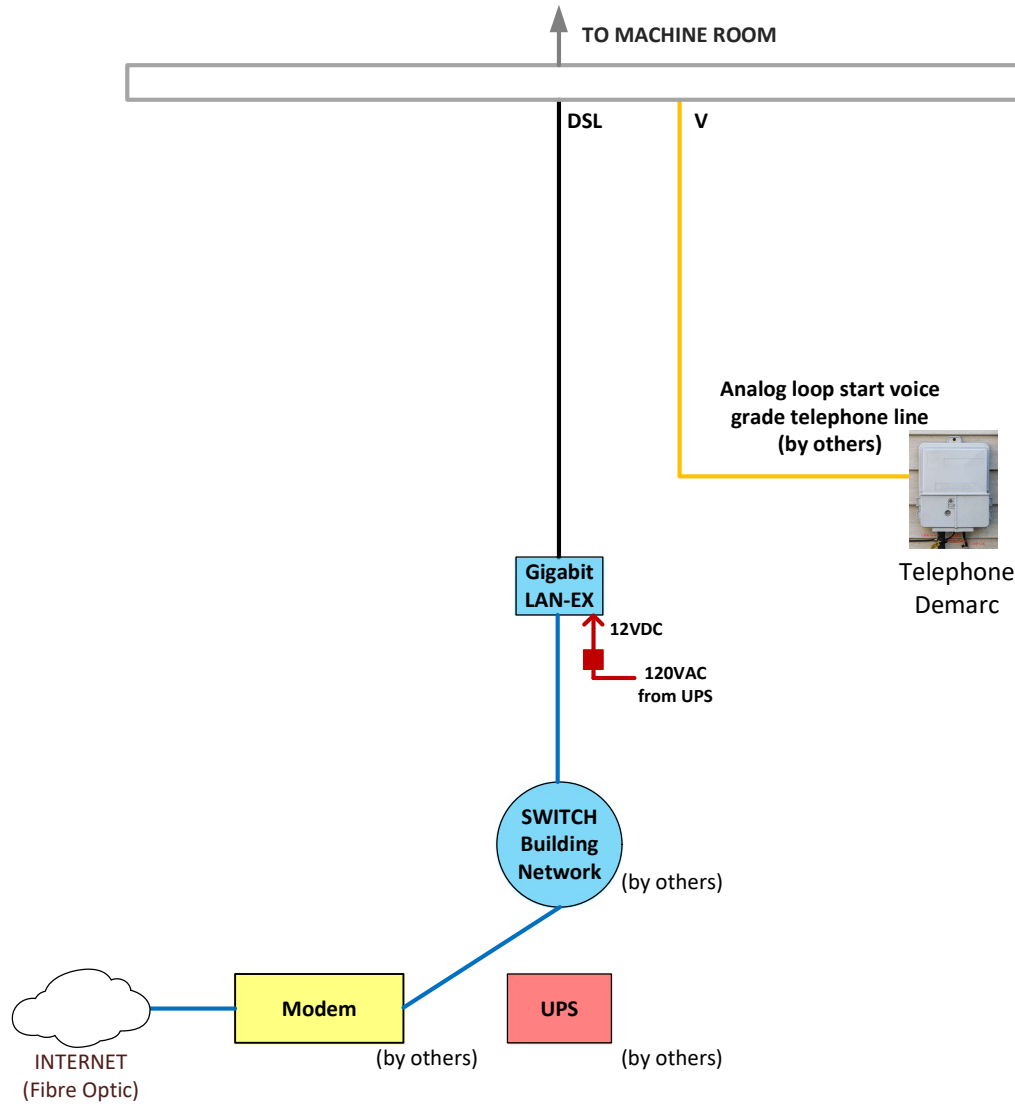
**MACHINE ROOM**



LEGEND	
PLM	Alarm
V	Voice
P	Power
DSL	2-wire Ethernet
E	Ethernet
<span style="color: red;">—</span>	18 AWG
<span style="color: blue;">—</span>	CAT-6
<span style="color: yellow;">—</span>	Shielded CAT-5
<span style="color: black;">—</span>	STP

	File Subject	W001 Low-Rise IBC 2018 R2.pdf For Low-Rise IBC 2018	Last Updated	May 5, 2020
	Author	EmerCom Engineering support@emercom.ca	Revision Page	2 1 of 4

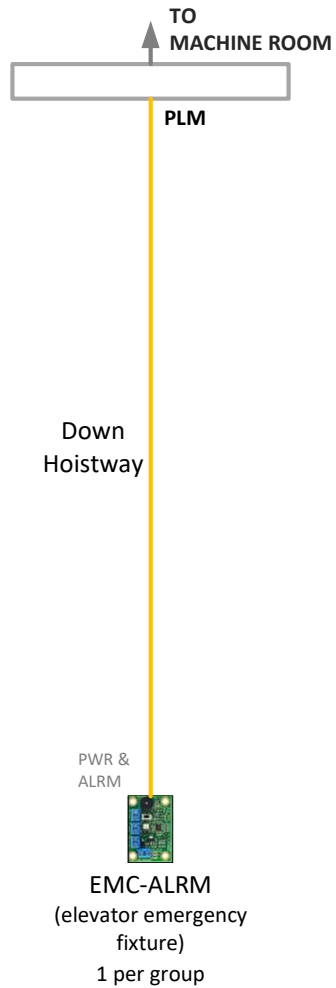
**TELEPHONE ROOM**



LEGEND	
V	Voice
P	Power
DSL	2-wire Ethernet
E	Ethernet
	18 AWG
	CAT-6
	Shielded CAT-5
	STP

	File Subject	W001 Low-Rise IBC 2018 R2.pdf For Low-Rise IBC 2018	Last Updated	May 5, 2020
	Author	EmerCom Engineering support@emercom.ca	Revision Page	3      1 of      4


**DESIGNATED LANDING**



**LEGEND**

PLM          Alarm

————— Shielded CAT-5

	File Subject	W001 Low-Rise IBC 2018 R2.pdf For Low-Rise IBC 2018	Last Updated	May 5, 2020
	Author	EmerCom Engineering support@emercom.ca	Revision Page	4          2 of          4