

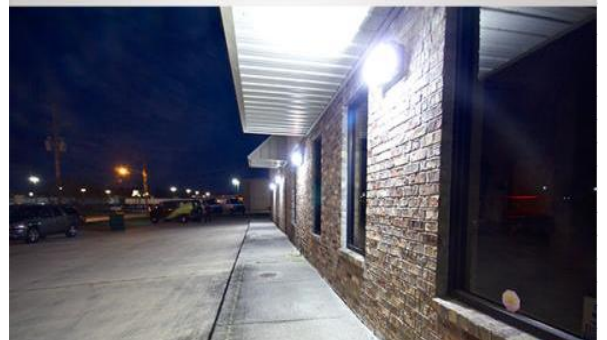


LED Wall Pack

Model : SZ-WP200WA-5700K

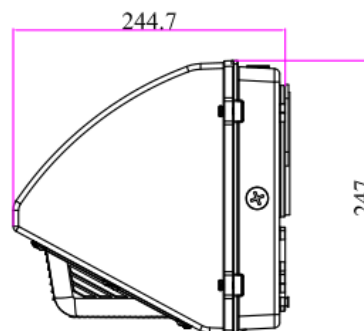
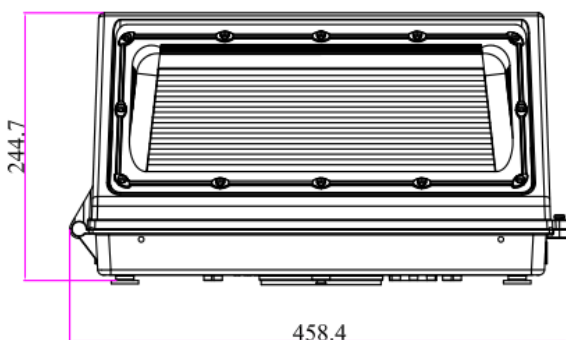
Advantage:

- UL certificate;
- IP65 Internal driver,
- Input voltage 100-277VAC;
- No UV or IR in the beam;
- Easy to install and operate;
- Energy saving, long lifespan;
- Light is soft and uniform, safe to eyes;
- Instant start, NO flickering, NO humming;
- Green and eco-friendly without mercury.



Application:

Entrance lighting, courtyard lighting;
Industrial lighting, Outdoor landscape lighting;
Building, The hotel;
Wall lighting area and so on.



Specifications

Product name	LED Wall Pack
Part No	SZ-WP200WA-5700K
Dimension	458*247*244mm

Technical Characteristic

Color temperature	5700K
Lumen	24000-27000LM
Lumen Efficacy	120-135LM/W
Input Power	200W
Viewing Angle	110 Degree
Input Voltage	100-277VAC 50/60Hz
Driver model	SOSEN Driver
PF	>0.9
Waterproof Rating	IP65

Materials

LED Type	2835/0.5W
LED QTY	600 PCS
Housing	Aluminum(ADC12) +PC
Housing color	Brown

Others

Operating Temperature	-20°C TO 45°C
Operating Humidity	20%-90% RH
Storage Temperature	-30°C TO 80°C
Storage Humidity	10%-95%
Application	Outdoor / Indoor
Safety Certification	UL
Warranty Time	5 Years

Light Distribution Testing Parameters

Luminaire Property

Luminaire Manufacturer:
Voltage: 120.8 V
Power: 205.30 W

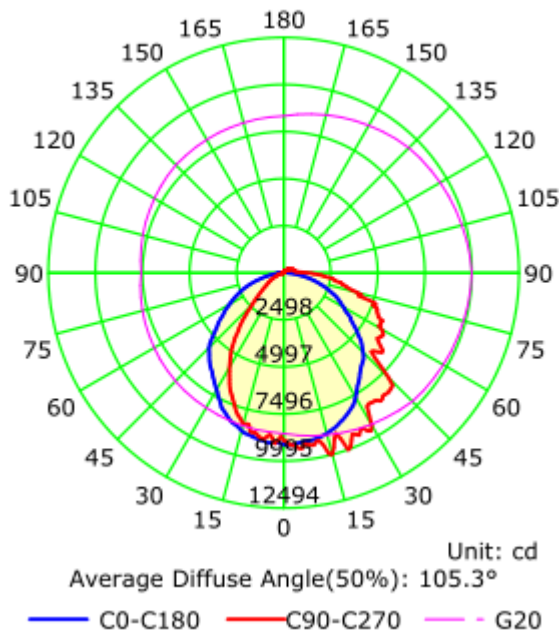
Current: 1.705 A
Power Factor: 0.997

Photometric Results

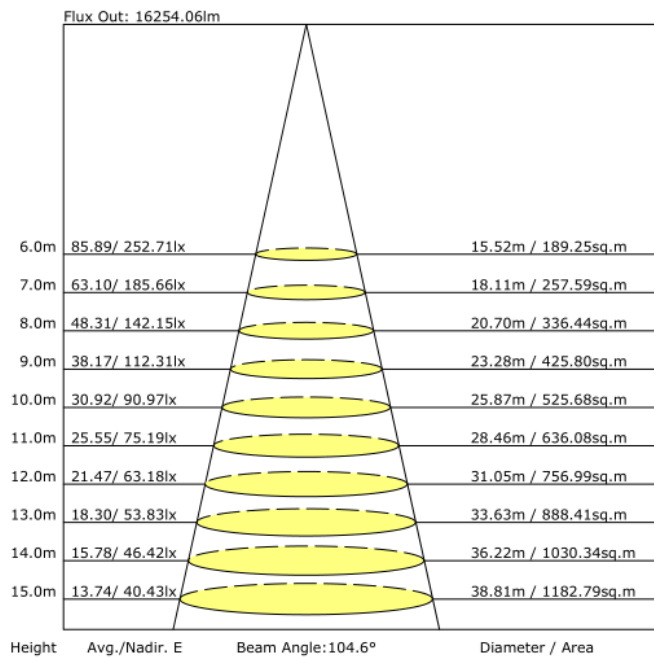
IES Classification: Type IV
Total Rated Lamp Lumens: 25233.4 lm
Efficiency: 100%
Upward Ratio: 4%
Central Intensity: 9097.46 cd
Pos of Max. Intensity: H90 V20

Longitudinal Classification: Very Short
Measurement Flux: 25233.4 lm
Downward Ratio: 96%
Luminaire Efficacy Rating (LER): 122.96
Max. Intensity: 9996 cd

Luminous Intensity Distribution Curve



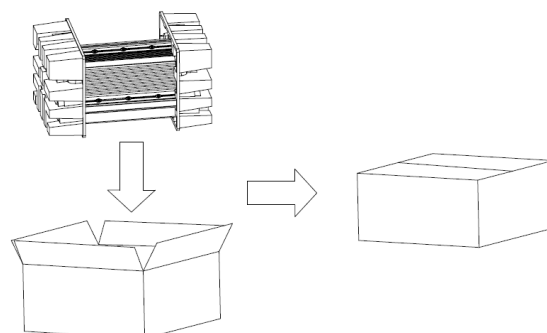
The Average Illuminance Effective Figure



Package

Lamps Net Weight: 5.92kg / pcs

Model	Size	Qty/ Carton	Weight/ Carton
SZ-WP200WA-5700K	500*305*315mm	1	7.3 KG



Notice For User

Please turn off power before install or change assembly parts.

The input voltage and lamps should be matched, after connecting the power line,

Please make sure the wiring section is insulated.

No-professionals, must not install and disassemble the lamps.

Trouble Shootings

Troubles	Check points
Flickering of the light	Turn off the power and turn on again in 3 minutes. If same phenomena occur, then call agencies
Out of working	Please check the connection