

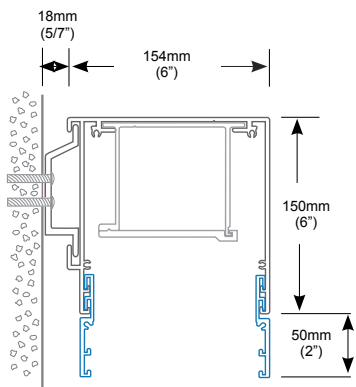
Pelmets

The aluminium extruded pelmet accommodates the head box, slats and base rail. Pelmets are top-fixed or face-fixed and supplied with end plates.

Horiso pelmets:

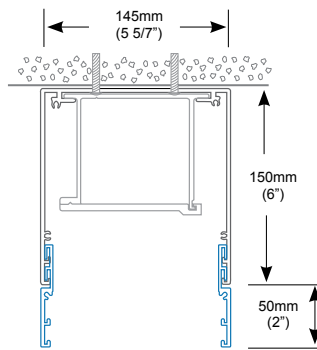
- Come in extruded aluminium 3 mm (1/8") 25 micron clear anodised
- Are powder-coated in standard or custom colours
- Offer pelmet/fascia extensions in 50 mm (2") increments
- Have fixing spacing that is subject to site structure and cannot exceed 600 mm (23 5/8")
- Offer custom pelmet/fascia solutions

Face fix pelmet / fascia



■ : Extension

Top fix pelmet / fascia



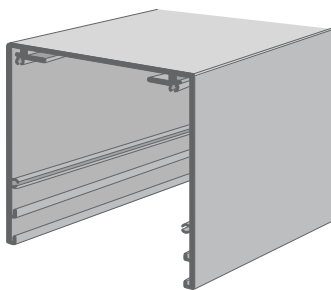
Pelmet / fascia weight in Kgs

| Extension Qty | Weight / metre |
|---------------|----------------|
| 0 | 4.5 Kgs |
| 1 | 6.1 Kgs |
| 2 | 7.7 Kgs |
| 3 | 9.3 Kgs |

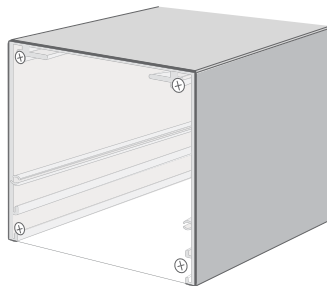
Pelmet / fascia weight in Lbs

| Extension Qty | Weight / feet |
|---------------|---------------|
| 0 | 3.02 Lbs |
| 1 | 4.10 Lbs |
| 2 | 5.18 Lbs |
| 3 | 6.23 Lbs |

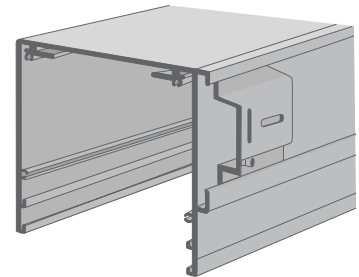
Pelmet Variations



Top fix pelmet/fascia



Top fix pelmet/fascia with end plate



Face fix pelmet/fascia

horiso[®]

E: info@horiso.com.au | T: +612 8755 4500

horiso.com.au