



Shading Tension System 120

Internal Rail Guided Tension System

horiso®

horiso.com.au

STS 120

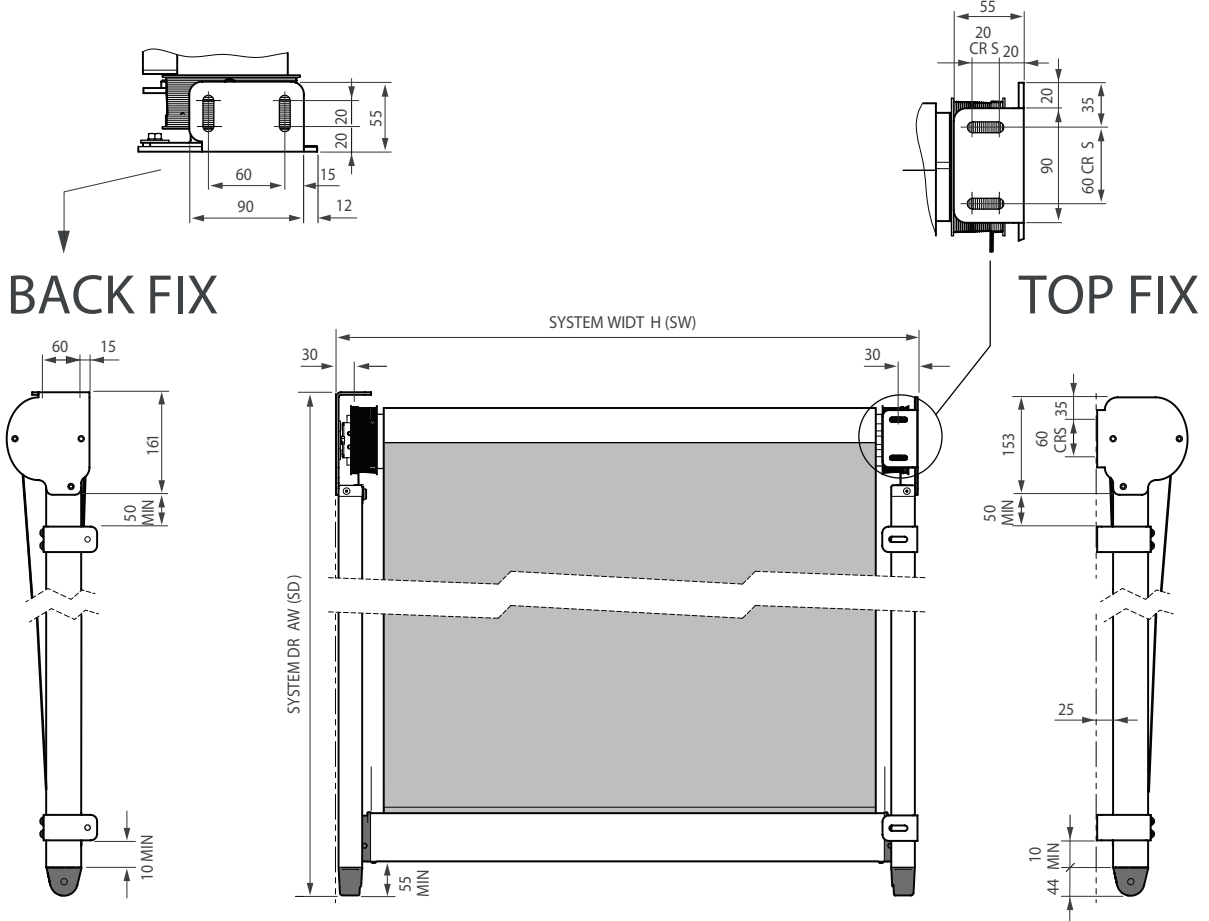
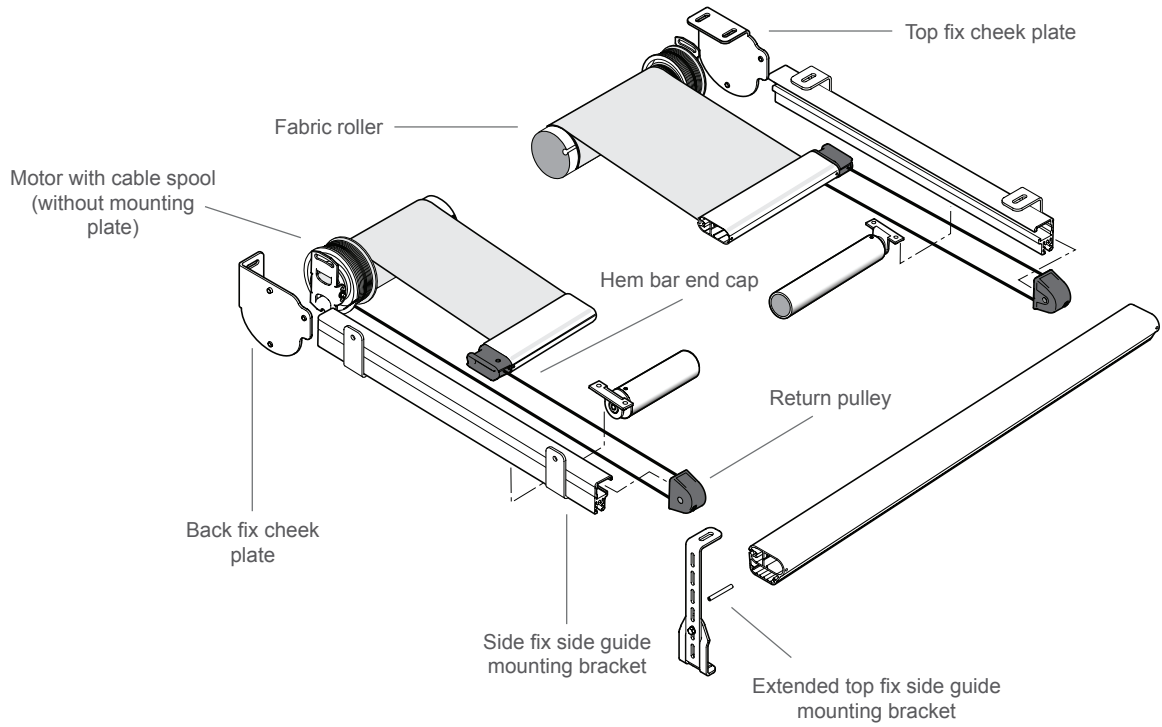
Designed to minimise load for lighter structures

Where tensioned fabric is required for lighter structures, the STS 120 is the answer. The aluminium frame retains the tension force of the blind, and the weight of the system is distributed via multiple fixing points. The single barrel mechanism keeps the fabric constantly under tension and produces a smooth, quiet travel.

- **Commercial offices, shops, hotels and airports.**
- **Single barrel tension system**
- **Any angle, any direction**
- **Minimal load on building**
- **Guide rails for maximum stability**
- **Reliable and robust**



STS 120



STS 120

Key Facts

Typical use	Light structures, retrofit
Shape	Rectangular
Running direction	Any
Guides	Aluminium profile
Width	870 mm - 4000 mm
Draw	≤6500 mm
Fabric area	≤16 m ²
Brackets	Aluminium
Relieving rollers	Aluminium
Finish	RAL Powder coat
Installation options	Top, back, side

Technical Information

Fabric tension	>100 N
Weight exc. fabric	~9 kg + 4.2 kg/m width+ 3.1kg/m draw
Fixing load	5 kg per fixing point
Operating temp.	0 to 55 °C
Motor	15 Nm, 17 rpm
Electrical	230 V, 50 Hz, 140 W, 0.65A 120 V, 60 Hz, 130 W, 1.1A
Max run time	4 min
Fabric speed	~5 m/min
Controls	Radio, Wired



+61 2 8755 4500
info@horiso.com.au

horiso.com.au

horiso®