



Shading Tension System 140

Internal wire guided tension system

horiso®

STS 140

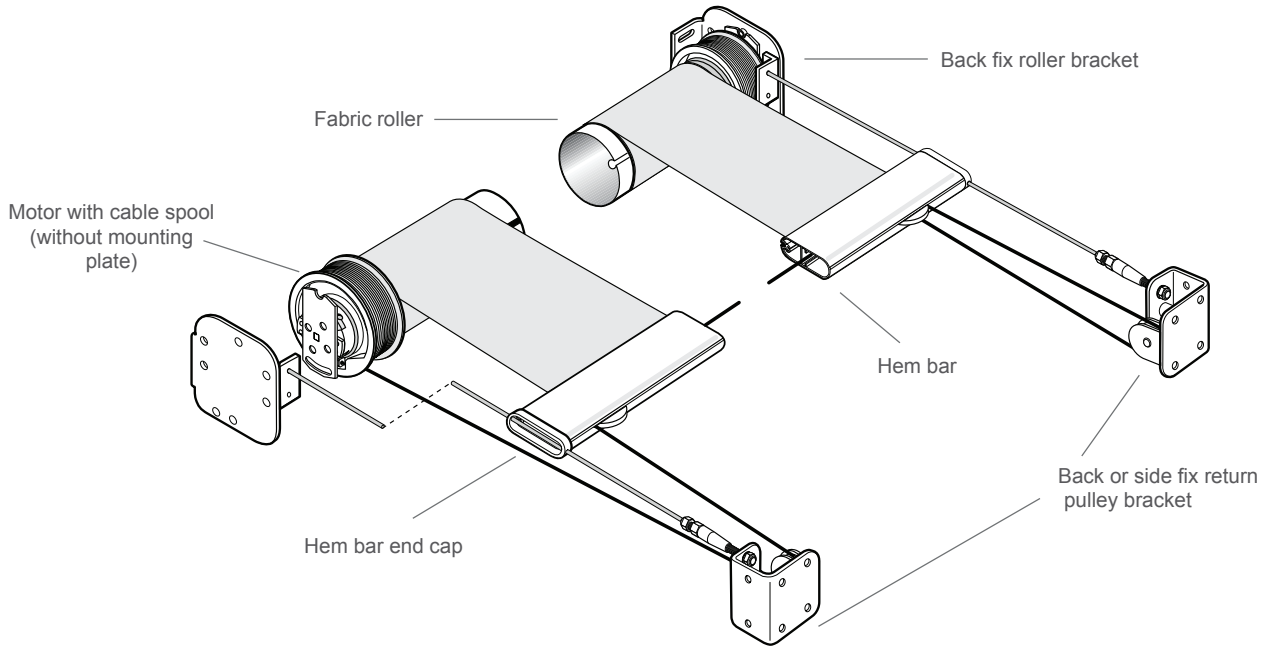
Discrete styling to blend in with your building design.

Sometimes great design is about what you can't see. The STS 140 is designed to deliver reliability, discretely. Slim wire guides and flexible brackets make it easy to design into the glazing surround for near invisibility when retracted. Our single barrel mechanism keeps the fabric constantly under tension and produces a smooth, quiet travel.

- **Commercial offices, shops, hotels and airports.**
- **Single barrel tension system**
- **Any angle, any direction**
- **Clean-cut design**
- **Discrete wire guides**
- **Reliable and robust**



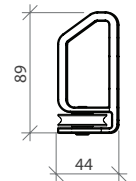
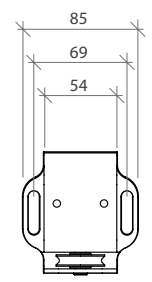
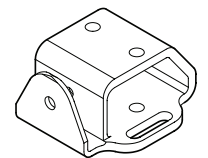
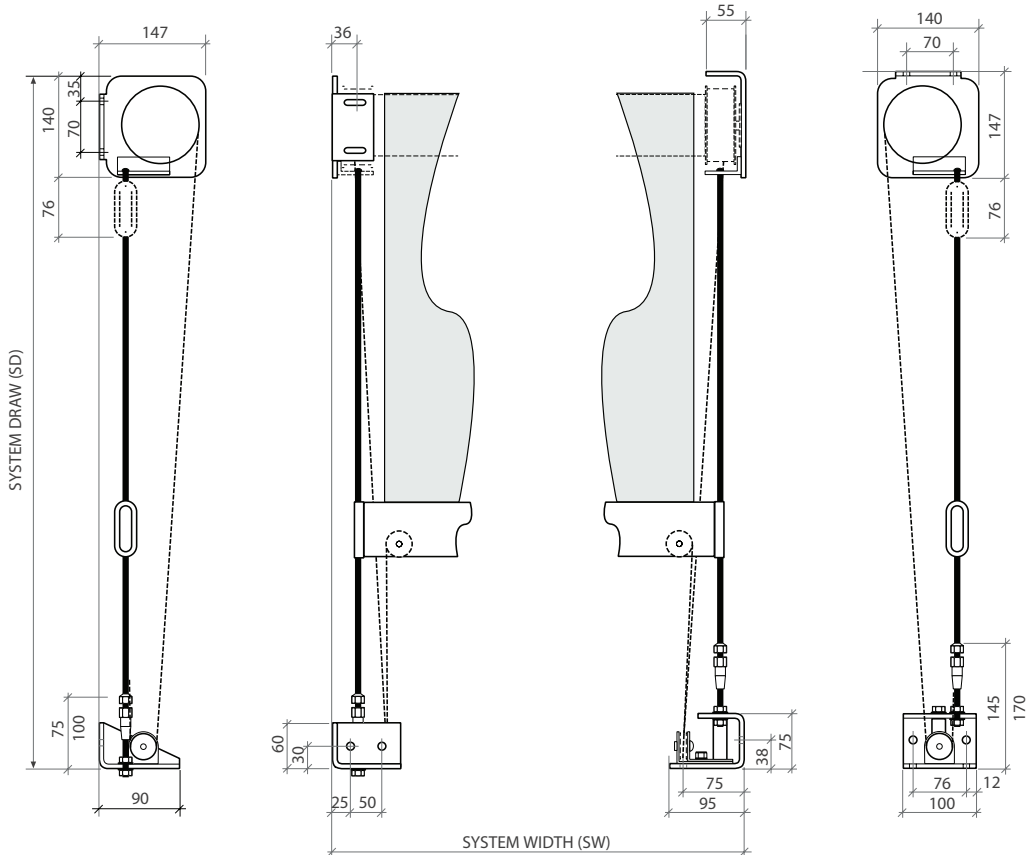
STS 140



TOP FIX

BACK FIX

LOW PROFILE PULLEY OPTION



STS 140

Key Facts

Typical use	Atria, skylights, façades
Shape	Rectangular
Running direction	Any
Guides	Ø5 mm steel wire
Width	870 mm - 4000 mm
Draw	≤6500 mm
Fabric area	≤18m ²
Brackets	Aluminium
Finish	RAL powder coat
Installation options	Top, back, side

Technical Information

Fabric tension	>100N
Weight exc. fabric	~9.5 kg + 4.2 kg/m width
Fixing load	≤100kg per bracket
Operating temp.	0 to 55 °C
Motor	15 Nm, 17 rpm
Electrical	230 V, 50 Hz, 140 W, 0.65A 120 V, 60 Hz, 130 W, 1.1A
Max run time	4 min
Fabric speed	~5 m/min
Controls	Radio, Wired



+61 2 8755 4500
info@horiso.com.au

horiso.com.au

horiso®