



Shading Tension System 101

Internal Shaped Tension System

horiso®

horiso.com.au

A proven solution for triangular glazing.

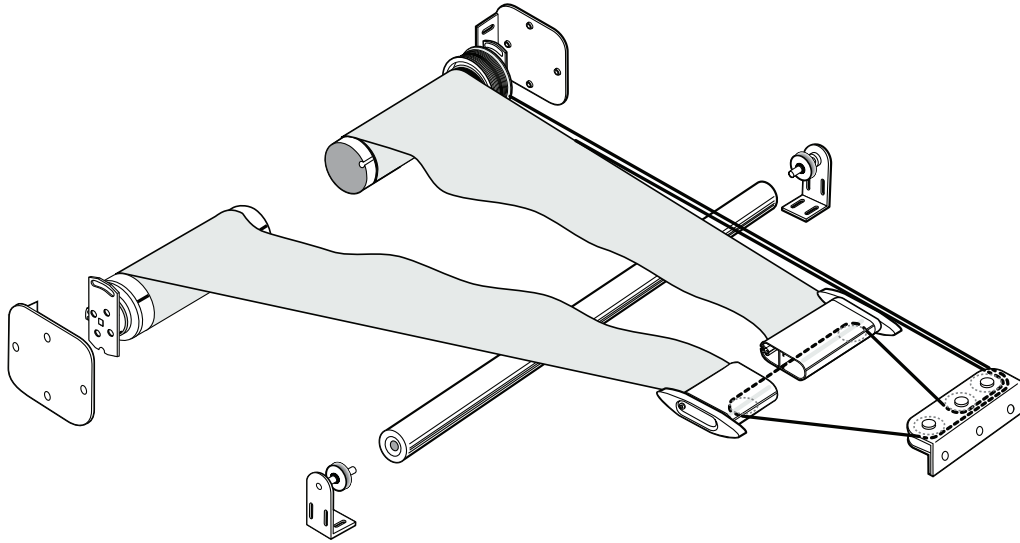
The STS 101 system is a wire guided tension blind suitable for internal use on horizontal and sloping glazing. It is specifically designed for right-angled triangular areas

It has a single fabric roller incorporating the motor and tension mechanism and one continuous tension cable for ease of fitting. Our single barrel mechanism keeps the fabric constantly under tension and produces a smooth, quiet travel.

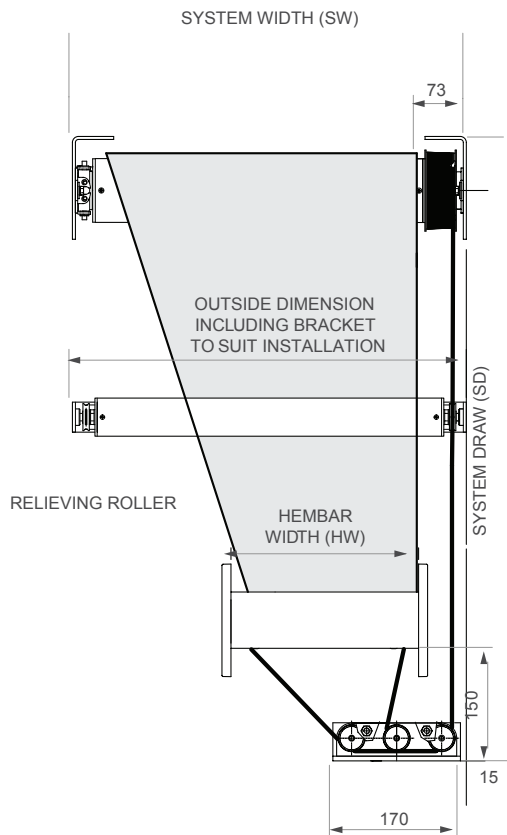
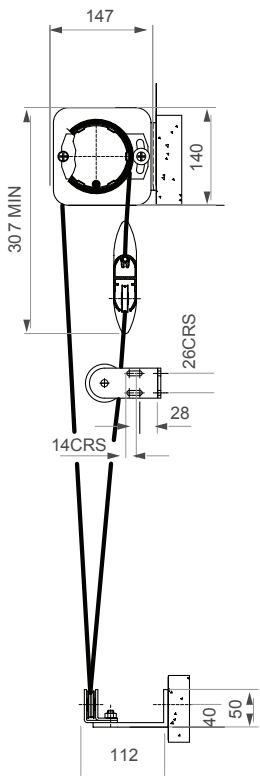
- **Commercial offices, shops, hotels and airports.**
- **Triangular glazing on horizontal, vertical or sloping installations**
- **Draw vertically bottom to top**
- **Single barrel tension system**
- **Any angle, any direction**
- **Angles and curves**
- **Reliable and robust**



STS 101

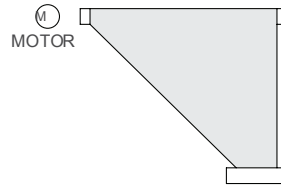


TOP FIX

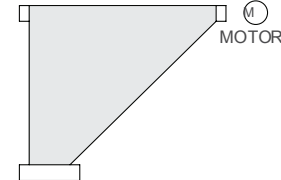


MOTOR POSITION

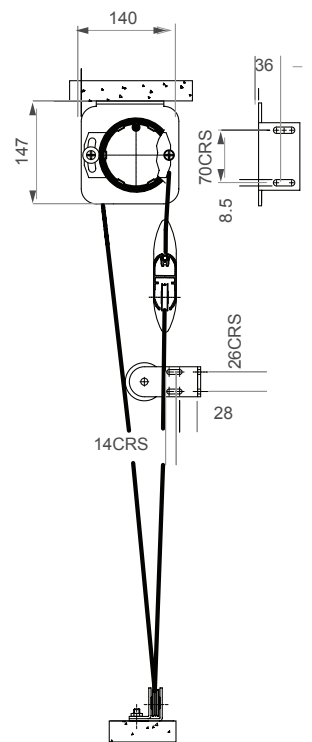
LEFT HAND



RIGHT HAND



BACK FIX



STS 101

Key Facts

Typical use	Triangular or domed glazing
Shape	Right-angled triangle
Running direction	Any
Guides	None
Width	870 mm - 4000 mm
Draw	≤5000 mm
Fabric area	≤9 m ²
Brackets	Aluminium
Relieving rollers	Aluminium
Finish	RAL Powder coat
Installation options	Top, back

Technical Information

Fabric tension	>100 N
Weight exc. fabric	~7.5 kg + 4.2 kg/m width
Fixing load	≤36 kg per bracket
Operating temp.	0 to 55 °C
Motor	15 Nm, 17 rpm
Electrical	230 V, 50 Hz, 140 W, 0.65A 120 V, 60 Hz, 130 W, 1.1A
Max run time	4 min
Fabric speed	~5 m/min
Controls	Radio, Wired



+61 2 8755 4500
info@horiso.com.au

horiso.com.au

horiso®