



## Mabel Maple

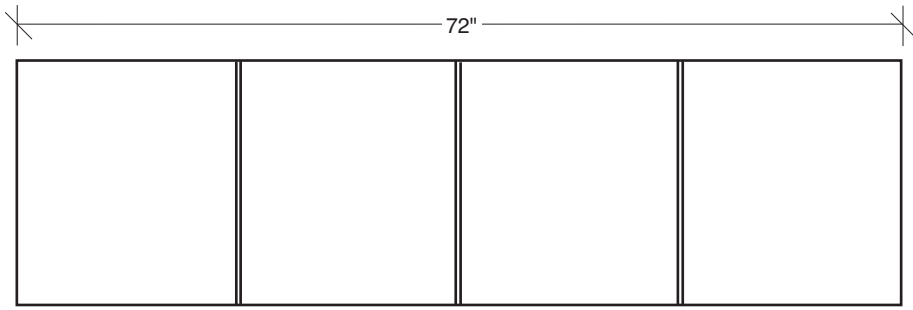
**No. 1349-47 BUFFET**

W 72 D 19 H 35 in.

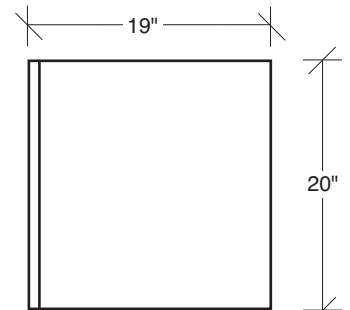
Top and sides quartered figured maple.  
Doors reverse diamond quartered figured maple.  
Available in any TC wood finish. Must specify.  
Base: polished stainless steel.



No. 1350-46  
flat cut  
maple wood  
hanging  
case

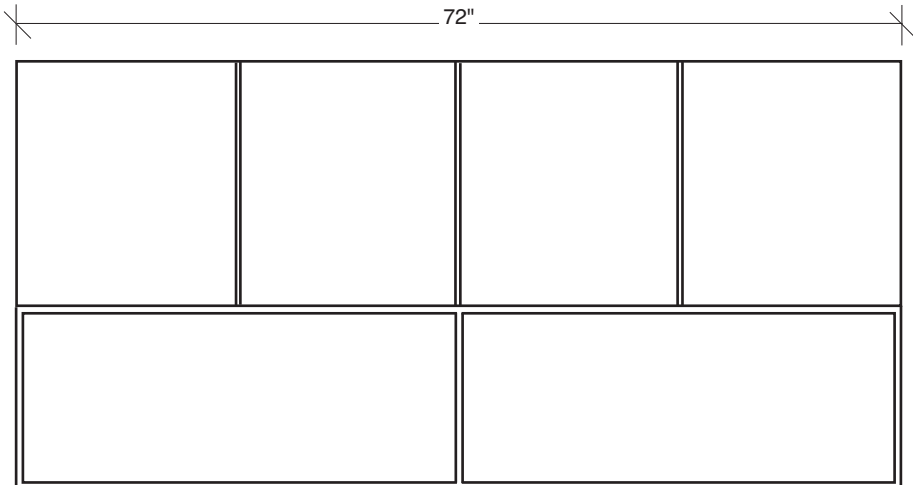


front view

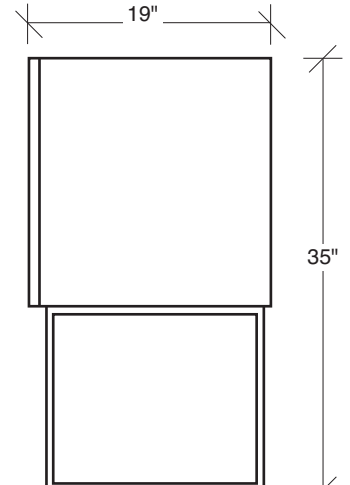


side view

No. 1350-47  
flat cut  
maple wood  
case  
polished  
stainless  
steel base

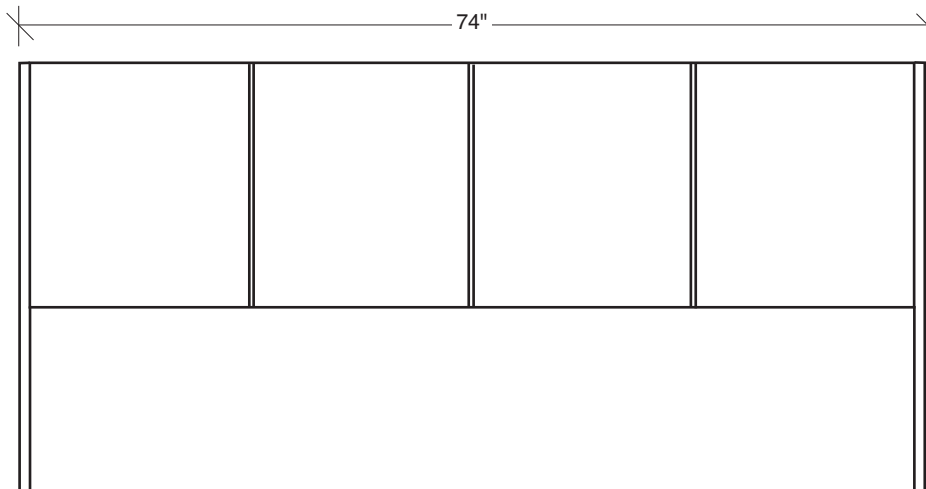


front view

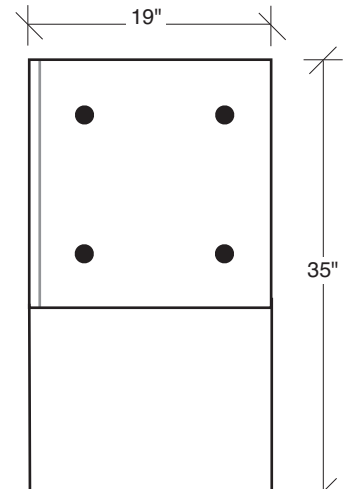


side view

No. 1352-47  
flat cut  
maple wood  
case  
1 inch acrylic  
acrylic sides



front view



side view