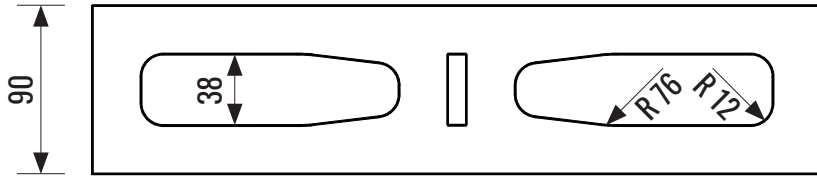




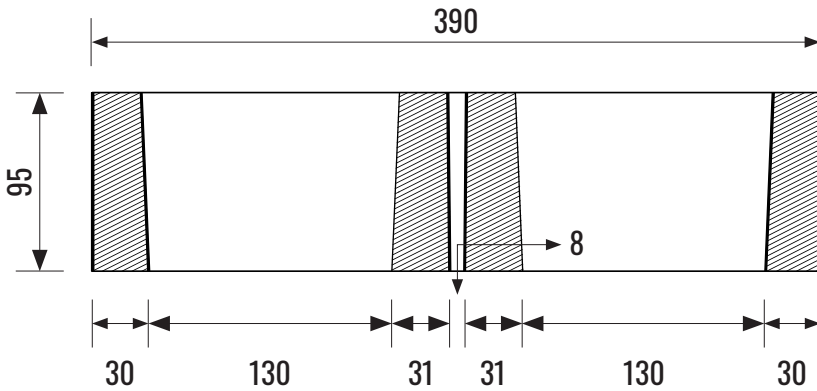
# Casey Concrete Ltd. 90 mm (4 in.) HALF HEIGHT BLOCK

caseyltd.ca

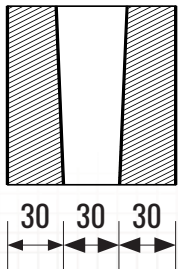
## BREAKER HALF HEIGHT



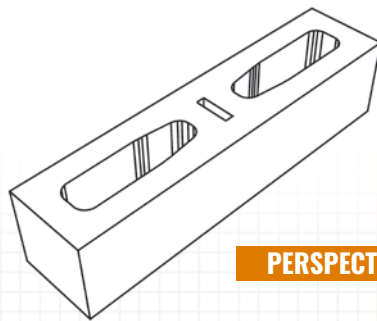
TOP VIEW



FRONT X-SECTION

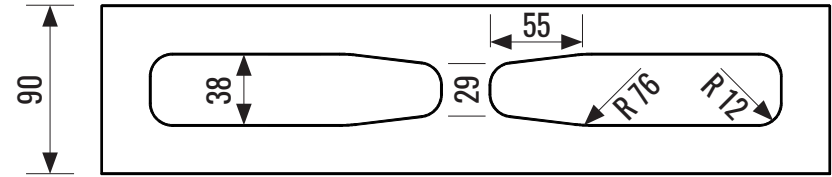


END X-SECTION

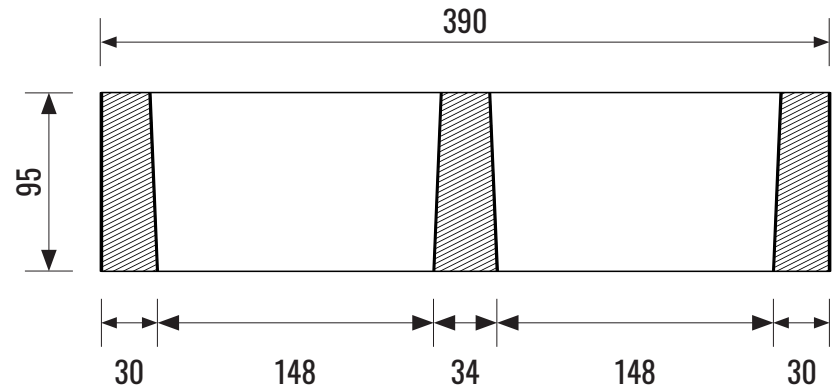


PERSPECTIVE VIEW

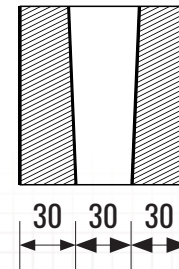
## STRETCHER HALF HEIGHT



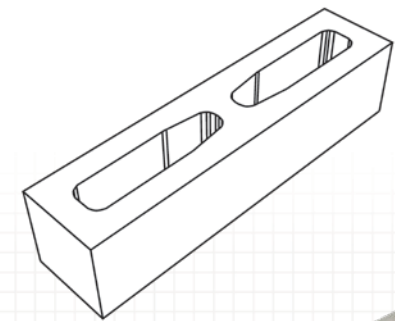
TOP VIEW



FRONT X-SECTION



END X-SECTION



**PLEASE NOTE:** Products are made from natural material sources and therefore color variation and efflorescence may occur.

### PACKAGING:

Pieces Per Pallet: 45 Breakers + 225 Stretchers  
Weight Per Piece: 5.3 kg (11.8 lbs)  
Weight Per Pallet: 1440 kg (3173 lbs)  
Coverage Per Piece: 0.4 sq. ft

### DIMENSIONAL TOLERANCES:

Meets the requirements of CSA A165.1 Concrete Masonry  
Length: -3 to +3 mm  
Width: -2 to +2 mm  
Height: -3 to +2 mm

### PHYSICAL PROPERTIES:

Meets the requirements of CSA A165.1 Concrete Masonry  
Compressive Strength: Min 15 MPa @ 28 Days  
Absorption (%): 8.0% Maximum @ 28 Days