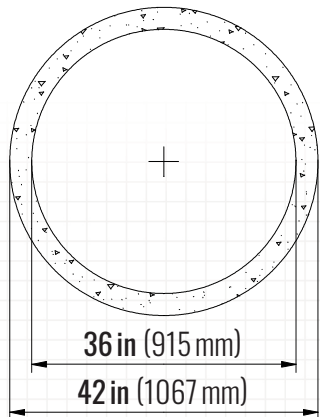
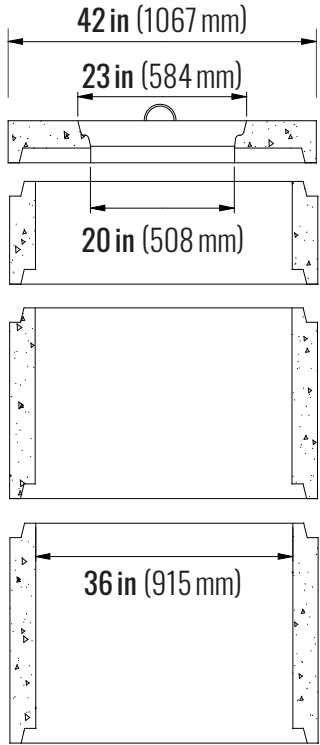




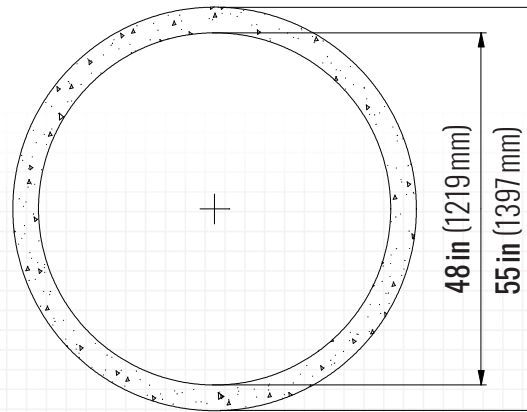
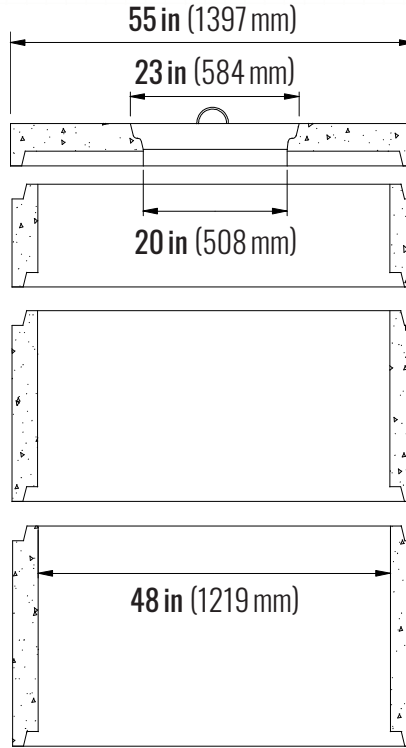
# Casey Concrete Ltd. PRECAST PIPE - 915 & 1219 mm (36 & 48 in) DIAMETER

caseyltd.ca

## 36 in (915 mm) COVERS



## 48 in (1219 mm) COVERS



## 36 in (915 mm) COVERS

### COVERS:

508 mm = 45.4 kg  
20 in = 100 lbs

915 mm = 217.7 kg  
36 in = 480 lbs

### PIPES:

915 x 305 mm = 181.4 kg  
36 x 12 in = 400 lbs

915 x 610 mm = 362.9 kg  
36 x 24 in = 800 lbs

915 x 760 mm = 453.6 kg  
36 x 30 in = 1000 lbs

### PHYSICAL PROPERTIES:

Meets the requirements of CSA A23.1 and A23.4  
Compressive Strength: Min. 35 MPa @ 28 Days  
Concrete Contains: 5.0 - 8.0 % Entrained Air

## 48 in (1219 mm) COVERS

### COVERS:

508 mm = 45.4 kg  
20 in = 100 lbs

1219 mm = 362.9 kg  
48 in = 800 lbs

### PIPES:

1219 x 305 mm = 254.0 kg  
48 x 12 in = 560 lbs

1219 x 610 mm = 508.0 kg  
48 x 24 in = 1120 lbs

1219 x 760 mm = 635.0 kg  
48 x 30 in = 1400 lbs

