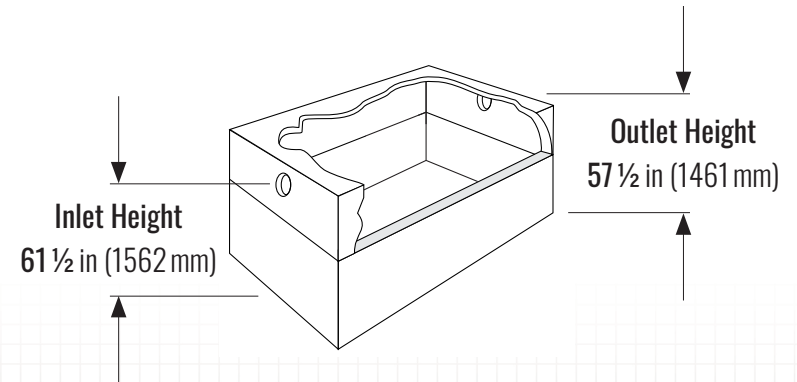
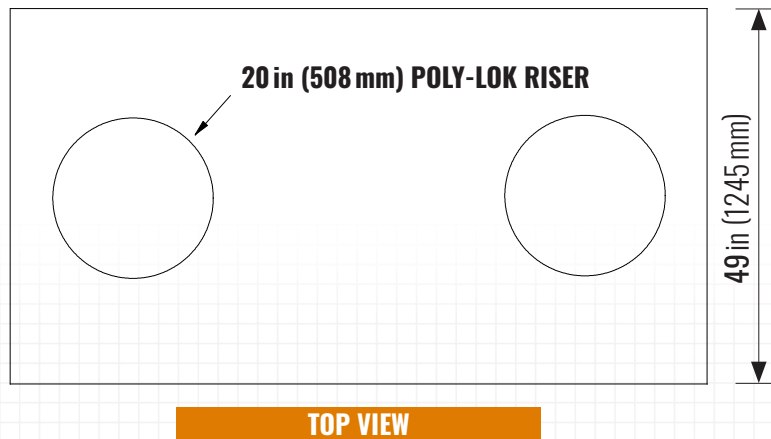
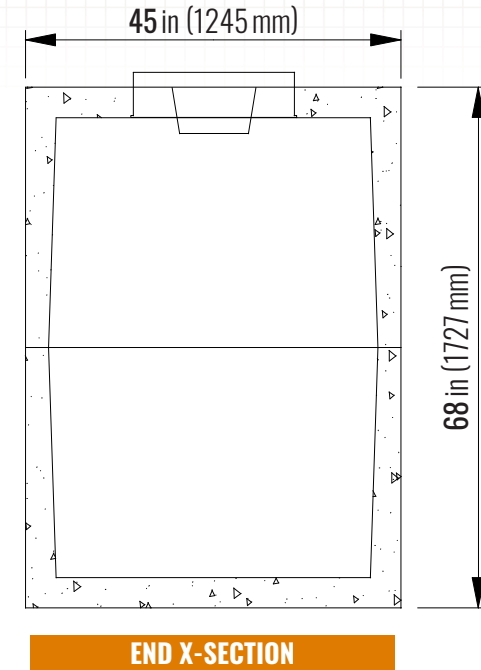
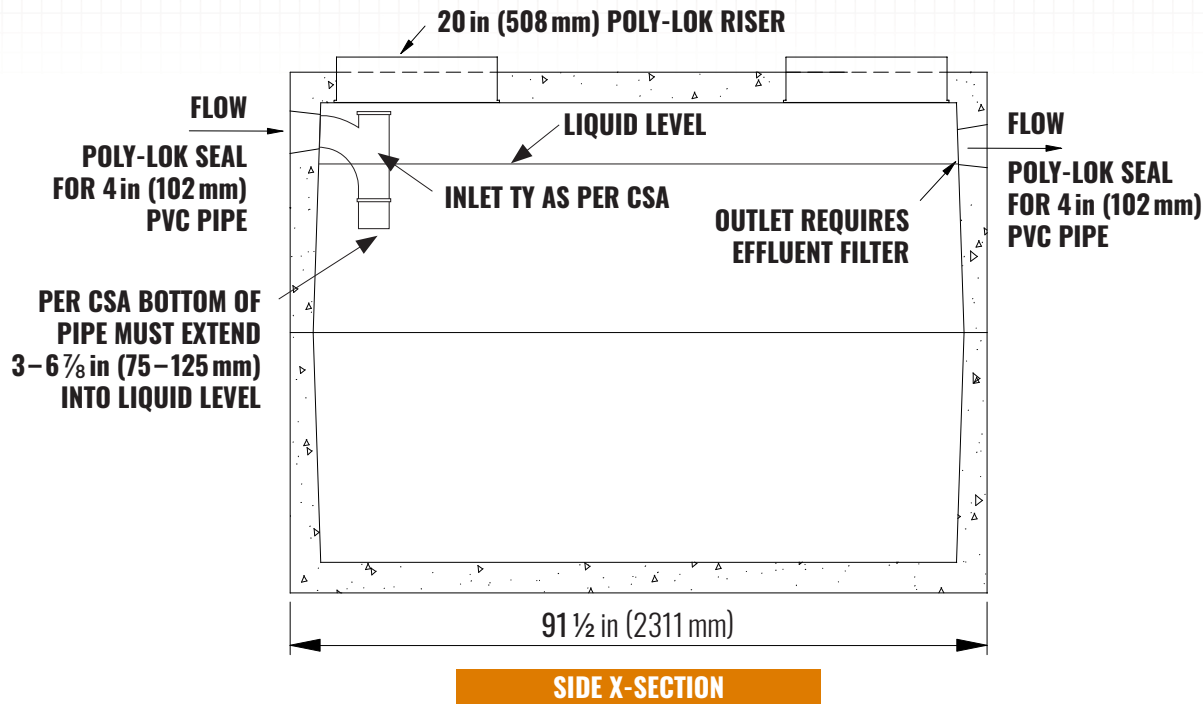




Casey Concrete Ltd. PRECAST 2840 L (625 GAL) SEPTIC TANK

caseyltd.ca



PACKAGING:

Top Section Weight: 1775 kg (3900 lbs) +/-
 Bottom Section Weight: 1820 kg (4000 lbs) +/-
 Total Assembled Weight: 3590 kg (7900 lbs) +/-

PHYSICAL PROPERTIES:

Meets the requirements of CSA A23.1 and A23.4
 Compressive Strength: Min. 35 MPa @ 28 Days
 Concrete Contains: 5.0-8.0% Entrained Air

INLET / OUTLET HEIGHTS:

Heights are measured from the bottom of the septic tank to the center of the inlet / outlet hole.