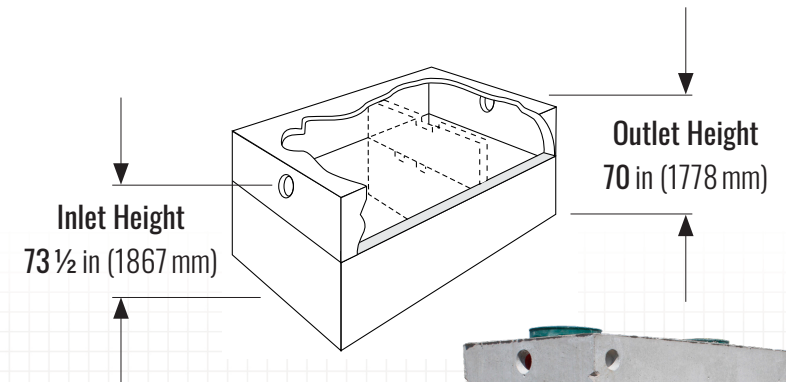
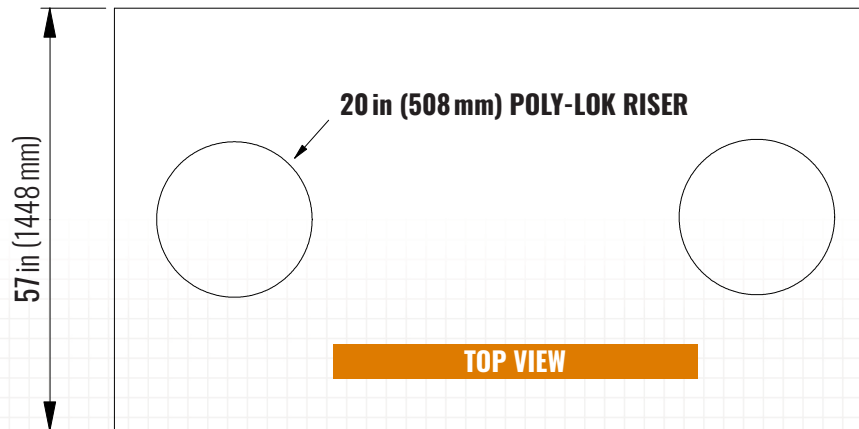
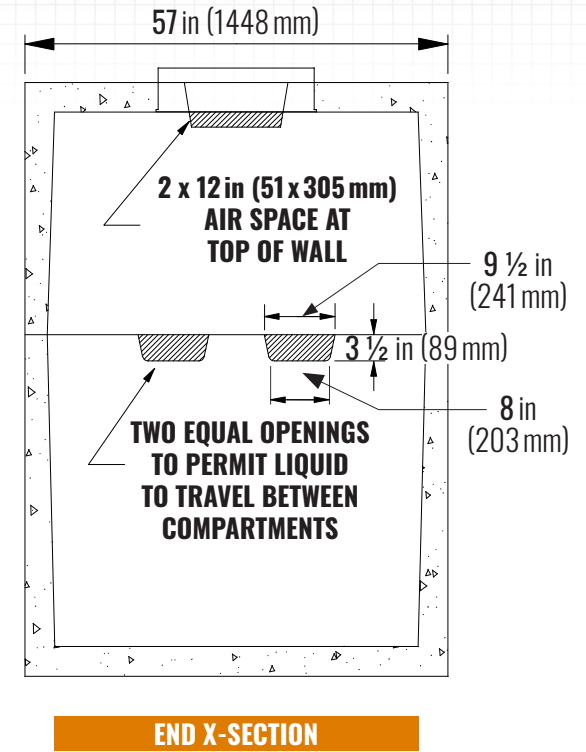
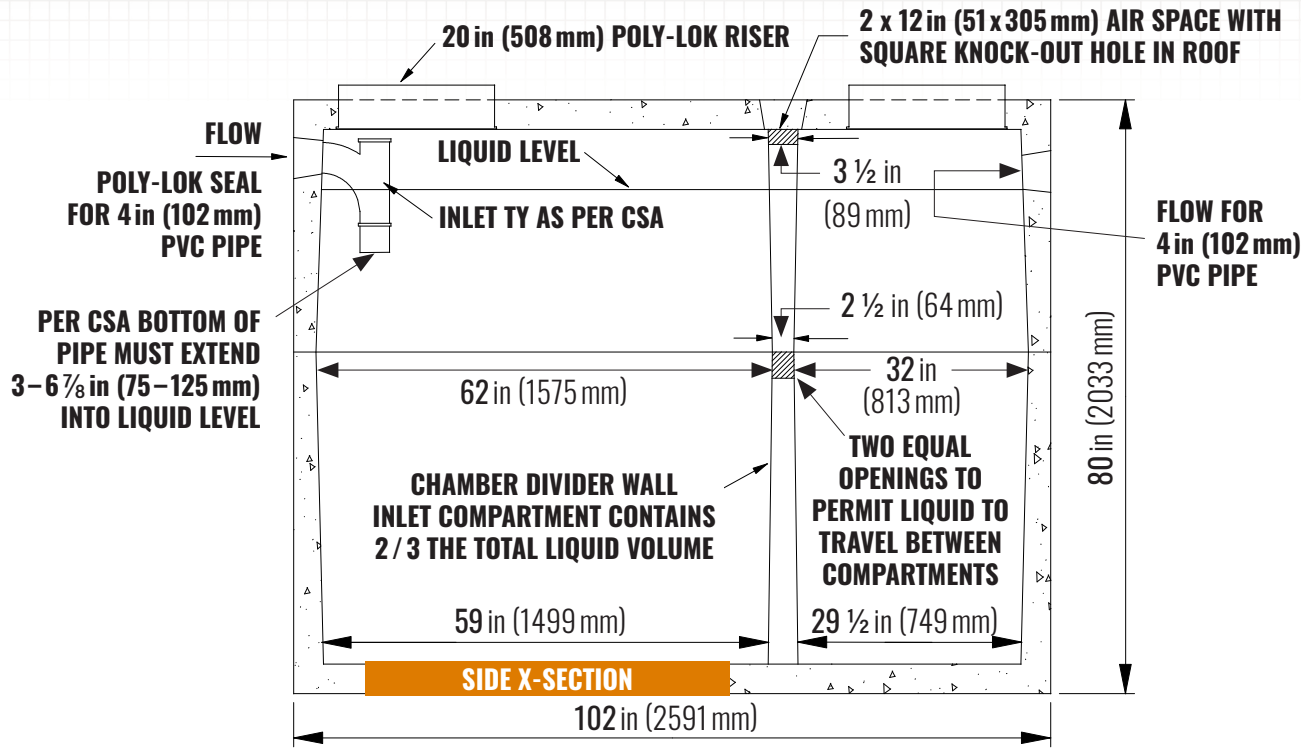




# Casey Concrete Ltd. PRECAST 4646 L (1022 GAL) SEPTIC TANK

caseyltd.ca



## PACKAGING:

Top Section Weight: 2430 kg (5350 lbs)+/-  
 Bottom Section Weight: 2910 kg (6400 lbs)+/-  
 Total Assembled Weight: 5340 kg (11750 lbs)+/-

## PHYSICAL PROPERTIES:

Meets the requirements of CSA A23.1 and A23.4  
 Compressive Strength: Min. 35 MPa @ 28 Days  
 Concrete Contains: 5.0-8.0% Entrained Air

## INLET / OUTLET HEIGHTS:

Heights are measured from the bottom of the septic tank to the center of the inlet / outlet hole.