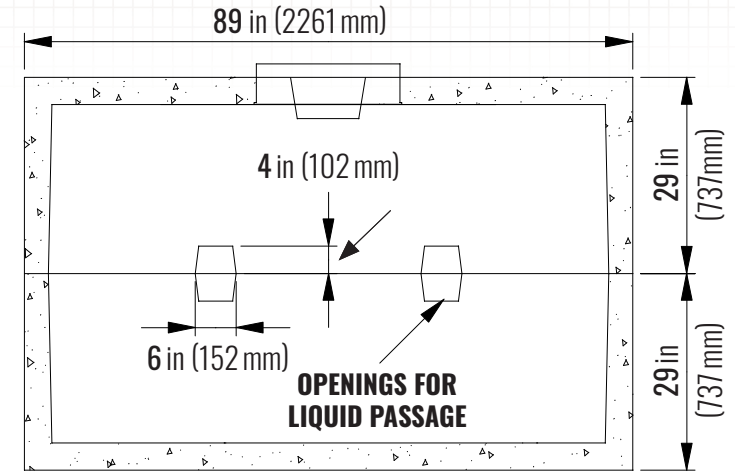
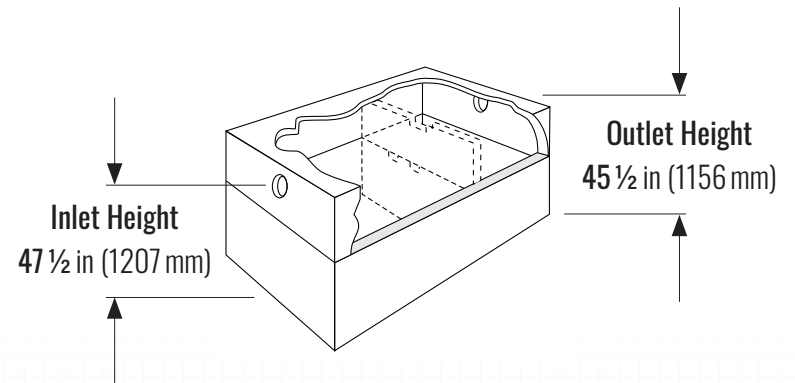
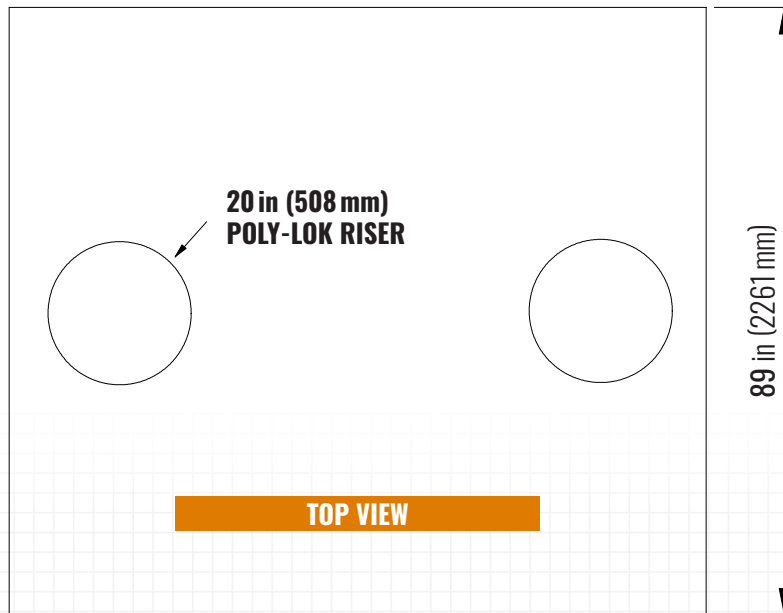


OUTLET REQUIRES EFFLUENT FILTER POLY-LOK SEAL FOR 4 in (102 mm) PVC PIPE



END X-SECTION



PACKAGING:

Top Section Weight: 2882 kg (6340 lbs) +/-
 Bottom Section Weight: 2927 kg (6440 lbs) +/-
 Total Assembled Weight: 5809 kg (12780 lbs) +/-

PHYSICAL PROPERTIES:

Meets the requirements of CSA A23.1 and A23.4
 Compressive Strength: Min. 35 MPa @ 28 Days
 Concrete Contains: 5.0 - 8.0% Entrained Air

INLET / OUTLET HEIGHTS:

Heights are measured from the bottom of the septic tank to the center of the inlet / outlet hole.