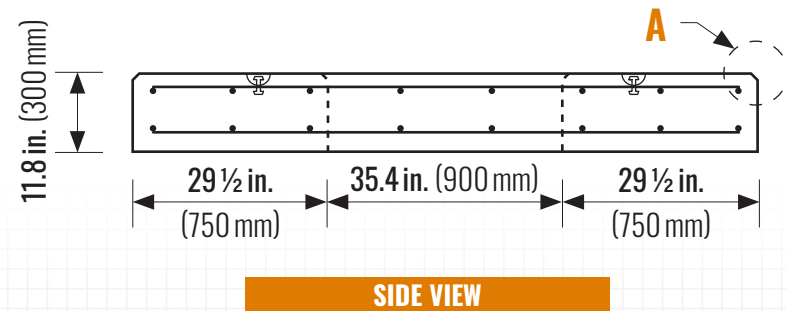
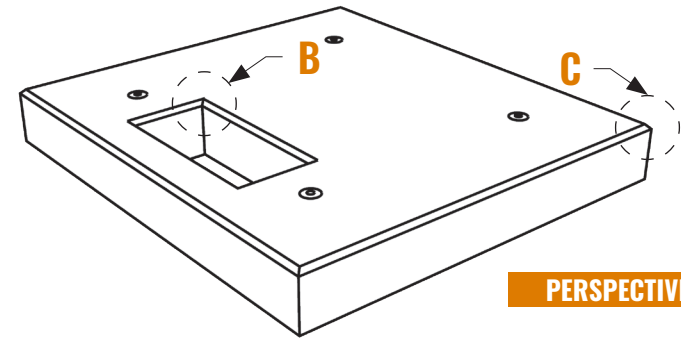
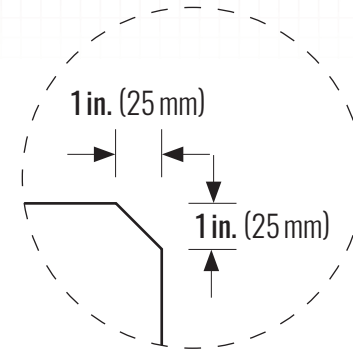
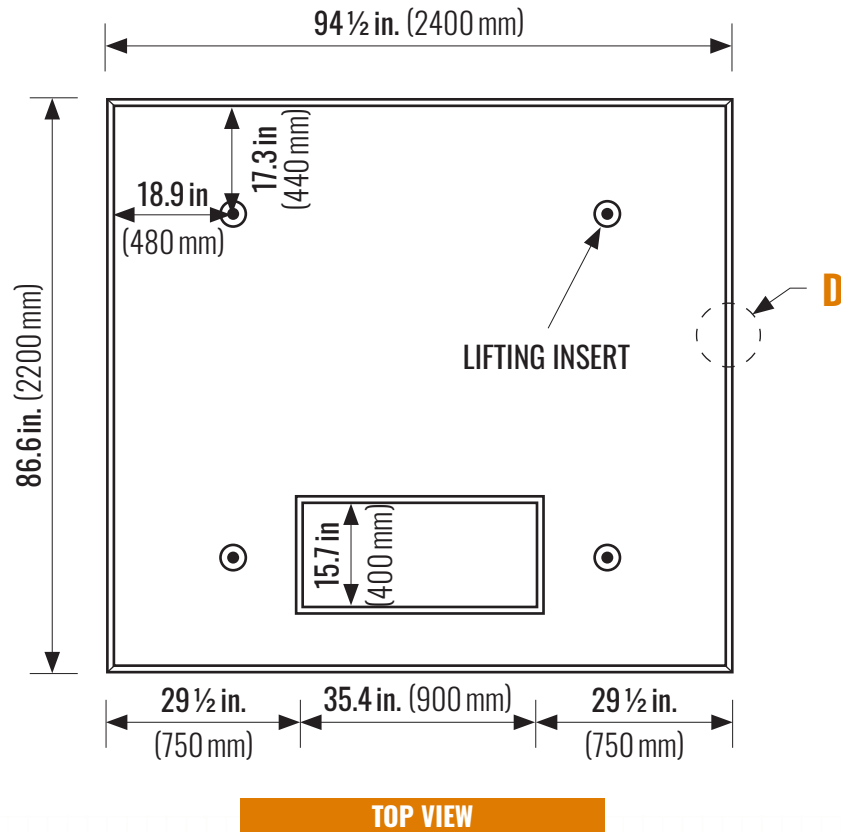




Casey Concrete Ltd. TRANSFORMER PAD NSPC 150 kVA – 500 kVA (TP2)

caseyltd.ca



PACKAGING:

Weight: 3538 kg (7800 lbs)
Volume: 1.5 m³

PHYSICAL PROPERTIES:

Meets the requirements of CSA A23.1 and A23.4
Compressive Strength: Min. 35 MPa @ 28 Days
Concrete Contains: 5.0–8.0% Entrained Air

ADDITIONAL INFORMATION:

Broom Finish