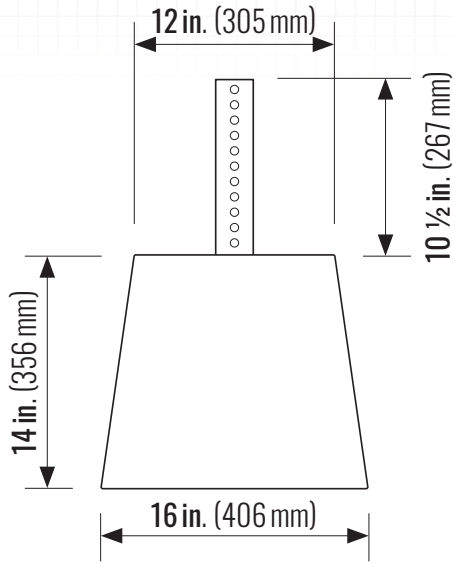


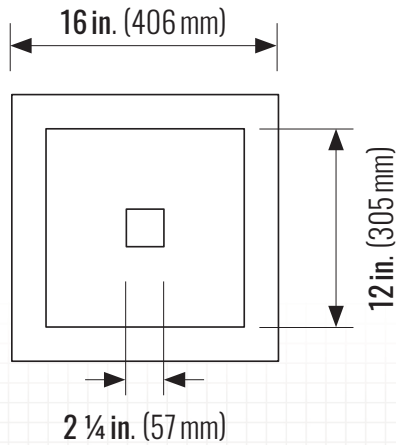


Casey Concrete Ltd. SIGN BASE, SQUARE AND ROUND

caseyltd.ca



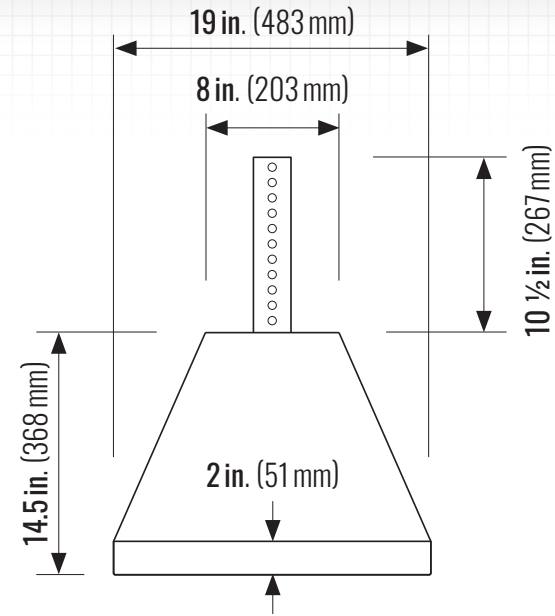
SIDE VIEW



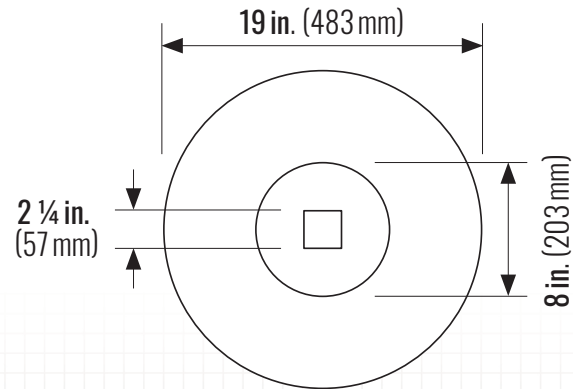
TOP VIEW



2 1/4 x 2 1/4 x 10 1/2 in.
(57 x 57 x 267 mm)
PERFORATED TUBING



SIDE VIEW



TOP VIEW



2 1/4 x 2 1/4 x 10 1/2 in.
(57 x 57 x 267 mm)
PERFORATED TUBING

SQUARE:

Weight: 99.8 kg (220 lbs)
Volume: 0.042 m³

ROUND:

Weight: 93.0 kg (205 lbs)
Volume: 0.04 m³

PHYSICAL PROPERTIES:

Meets the requirements of CSA A23.1 and A23.4
Compressive Strength: Min. 35 MPa @ 28 Days
Concrete Contains: 5.0 – 8.0% Entrained Air