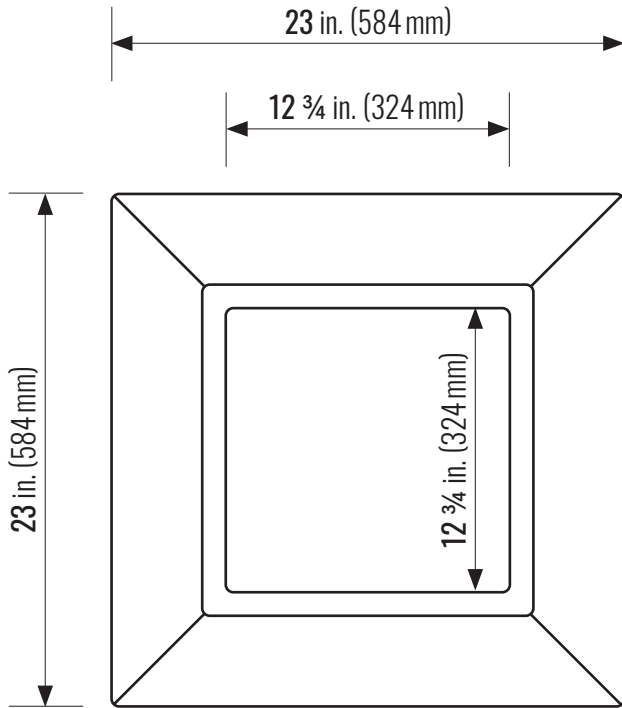




Casey Concrete Ltd. PRECAST CONCRETE CHIMNEY CAPS

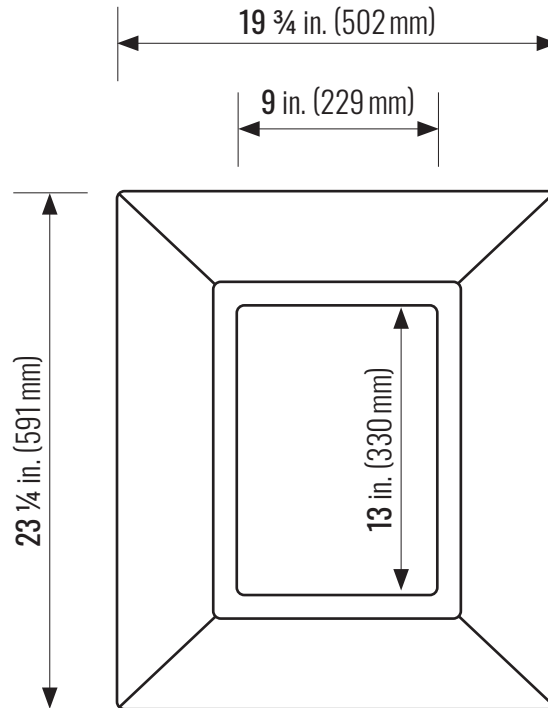
caseyltd.ca

12 x 12 in



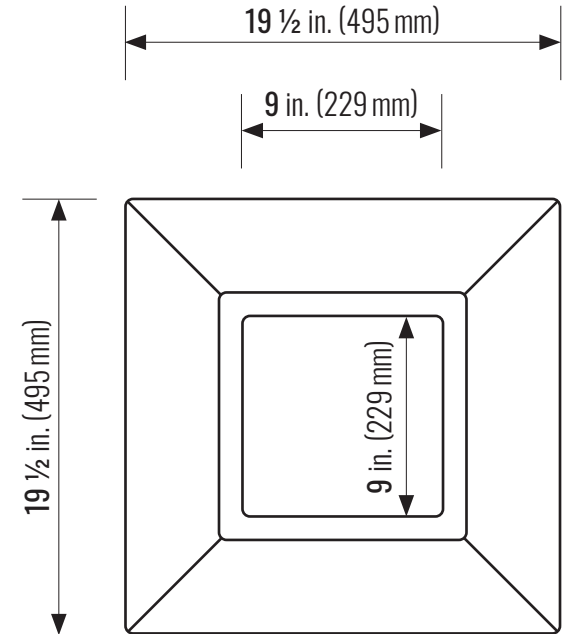
TOP VIEW

8 x 12 in



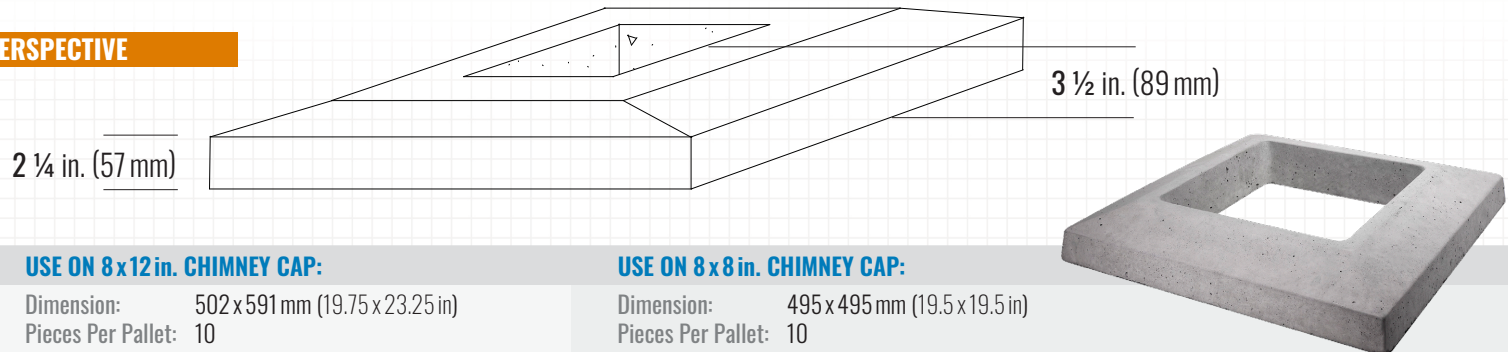
TOP VIEW

8 x 8 in



TOP VIEW

PERSPECTIVE



PHYSICAL PROPERTIES:

Meets the requirements of CSA A23.1 and A23.4
 Compressive Strength: Min. 35 MPa @ 28 Days
 Concrete Contains: 5.0 - 8.0% Entrained Air

USE ON 12 x 12 in. CHIMNEY CAP:

Dimension: 584 x 584 mm (23 x 23 in)
 Pieces Per Pallet: 10
 Weight Per Piece: 55.8 kg (123 lbs) +/-

USE ON 8 x 12 in. CHIMNEY CAP:

Dimension: 502 x 591 mm (19.75 x 23.25 in)
 Pieces Per Pallet: 10
 Weight Per Piece: 47.6 kg (105 lbs) +/-

USE ON 8 x 8 in. CHIMNEY CAP:

Dimension: 495 x 495 mm (19.5 x 19.5 in)
 Pieces Per Pallet: 10
 Weight Per Piece: 33.6 kg (74 lbs) +/-