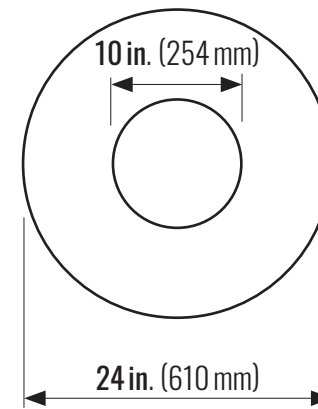
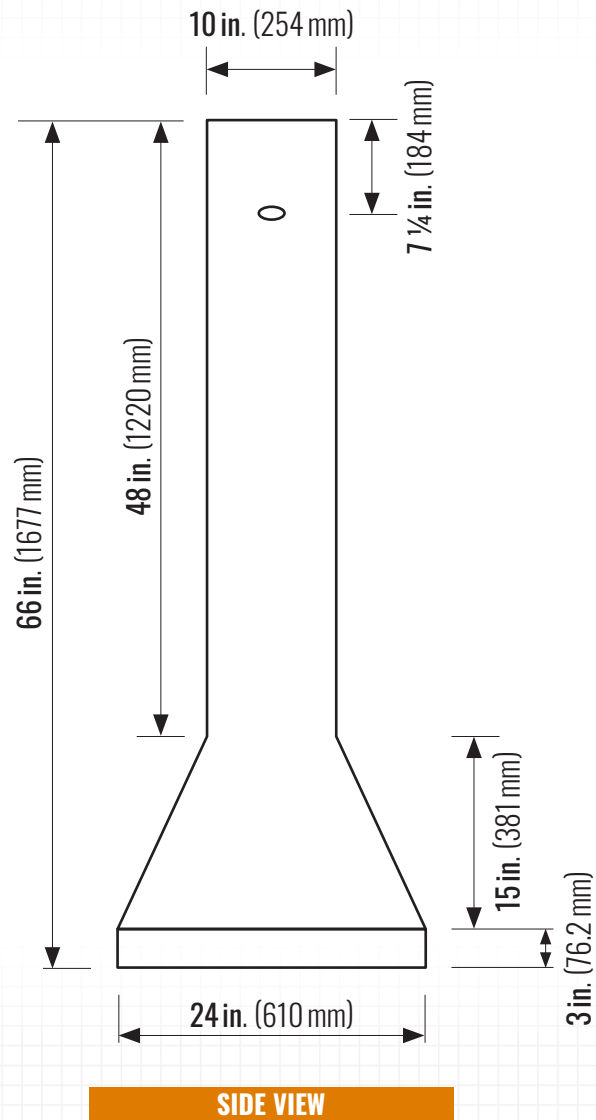




Casey Concrete Ltd. POST WITH BASE

caseyltd.ca



TOP VIEW



PACKAGING:

Weight Per Piece: 400.98 kg (884 lbs)
Volume: 0.17 m³

PHYSICAL PROPERTIES:

Meets the requirements of CSA A23.1 and A23.4
Compressive Strength: Min. 35 MPa @ 28 Days
Concrete Contains: 5.0–8.0% Entrained Air