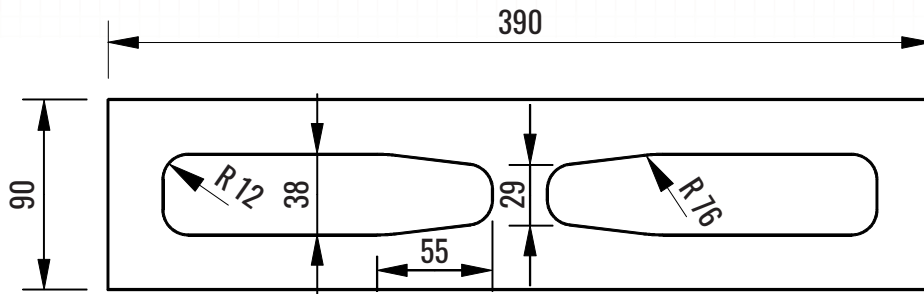


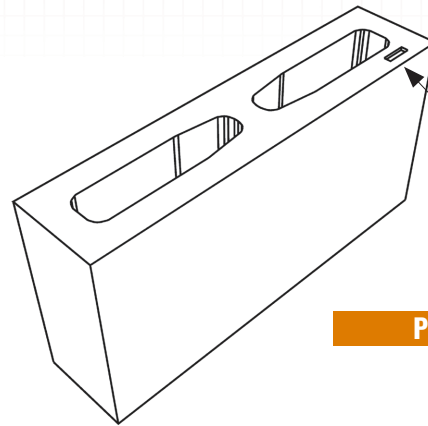


Casey Concrete Ltd. 90 mm (4 in) 20 MPa STRETCHER BLOCK

caseyltd.ca

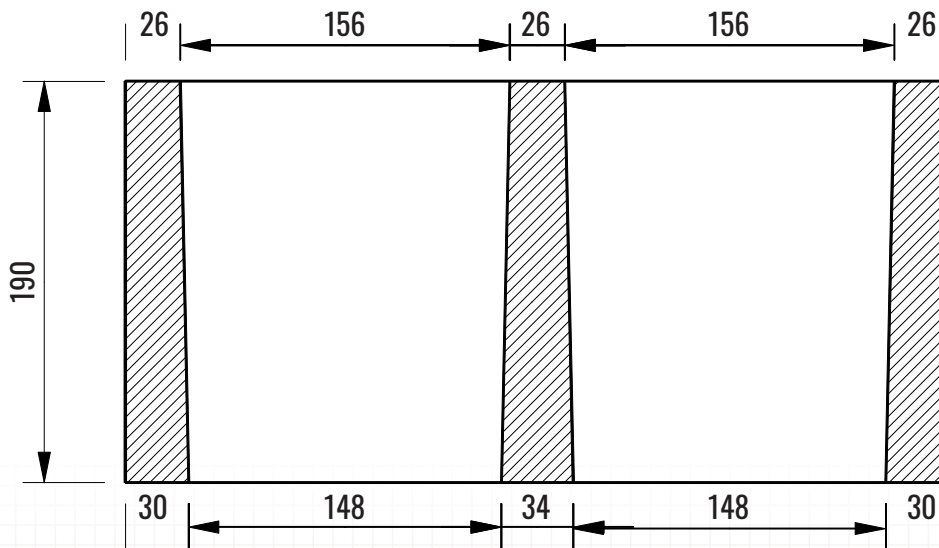


TOP VIEW

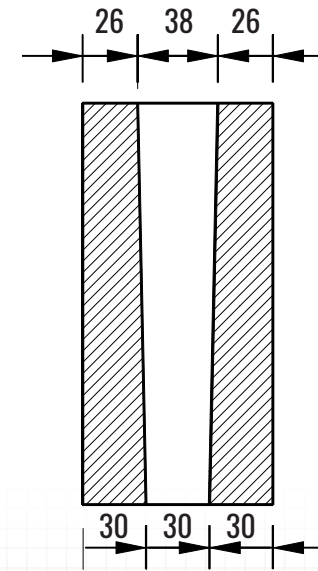


INDENT MARK DESIGNATES
5 MPa ABOVE BASELINE
CMU STRENGTH OF 15 MPa

PERSPECTIVE VIEW



FRONT X-SECTION



END X-SECTION

PLEASE NOTE: Products are made from natural material sources and therefore color variation and efflorescence may occur.

PACKAGING:

Pieces Per Pallet: 112 (+23 BRK'S)
Weight Per Piece: 10.66 kg (23.5 lbs)
Weight Per Pallet: 1440 kg (3173 lbs)
Coverage Per Piece: 0.8 sq. ft

DIMENSIONAL TOLERANCES:

Meets the requirements of CSA A165.1 Concrete Masonry
Length: -3 to +3 mm
Width: -2 to +2 mm
Height: -3 to +2 mm

PHYSICAL PROPERTIES:

Meets the requirements of CSA A165.1 Concrete Masonry
Compressive Strength: Min 20 MPa @ 28 Days
Absorption (%): 8.0% Maximum @ 28 Days

