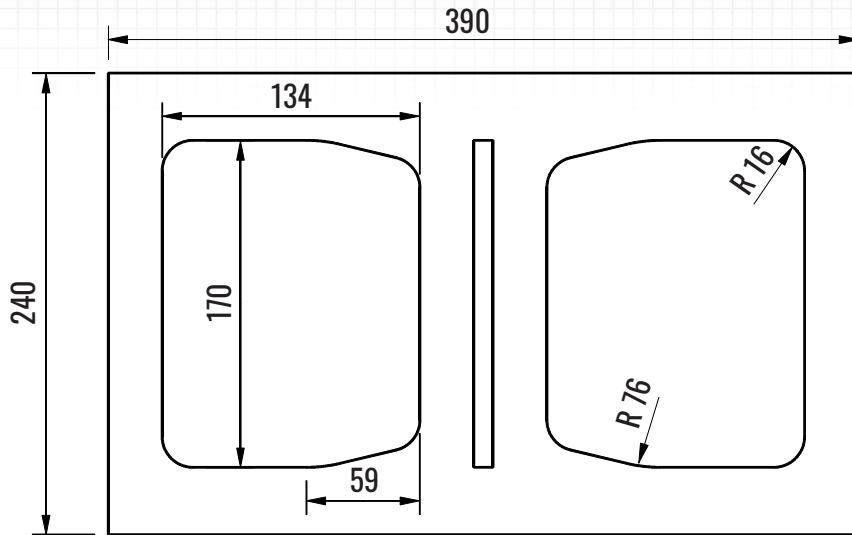


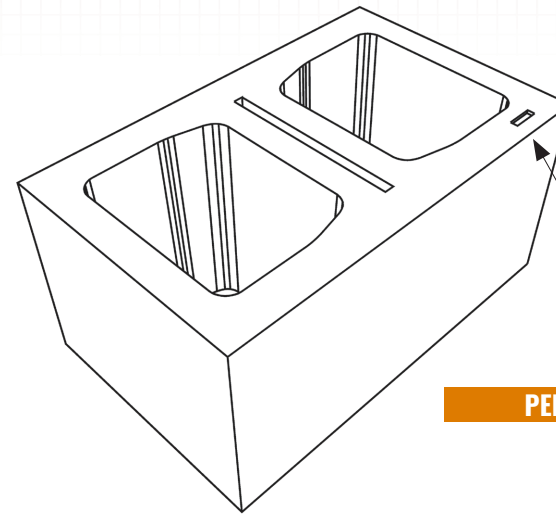


# Casey Concrete Ltd. 240 mm (10 in) 20 MPa BREAKER BLOCK

caseyltd.ca

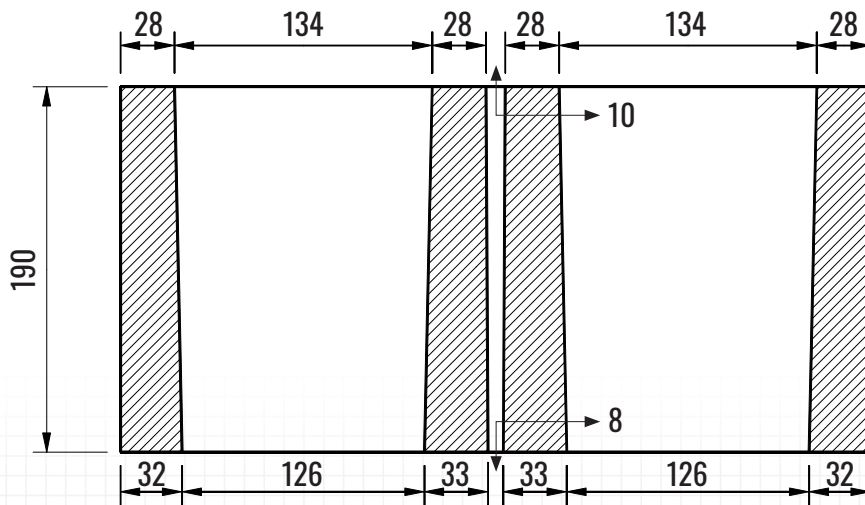


TOP VIEW

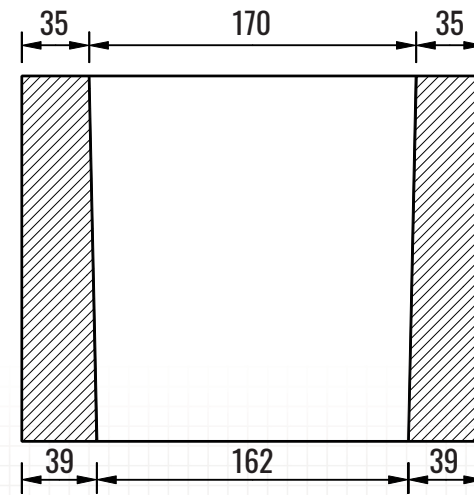


INDENT MARK DESIGNATES 5 MPa ABOVE BASELINE CMU STRENGTH OF 15 MPa

PERSPECTIVE VIEW



FRONT X-SECTION



END X-SECTION



**PLEASE NOTE:** Products are made from natural material sources and therefore color variation and efflorescence may occur.

### PACKAGING:

Pieces Per Pallet: 30 Stretchers 30 Breakers  
 Weight Per Piece: 23.18 kg (51 lbs)  
 Weight Per Pallet: 1336 kg (2940 lbs)  
 Coverage Per Piece: 0.8 sq. ft (48 sq. ft per pallet)

### DIMENSIONAL TOLERANCES:

Meets the requirements of CSA A165.1 Concrete Masonry  
 Length: -3 to +3 mm  
 Width: -2 to +2 mm  
 Height: -3 to +2 mm

### PHYSICAL PROPERTIES:

Meets the requirements of CSA A165.1 Concrete Masonry  
 Compressive Strength: Min 20 MPa @ 28 Days  
 Absorption (%): 8.0 % Maximum @ 28 Days