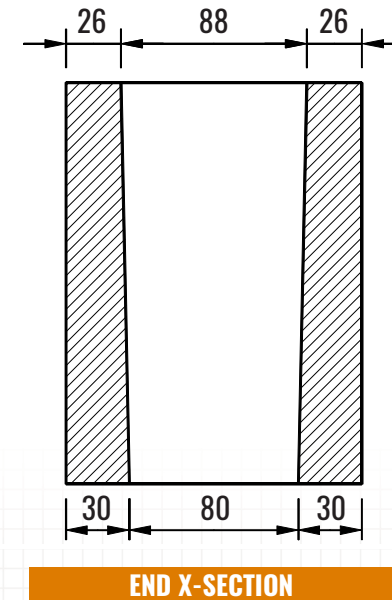
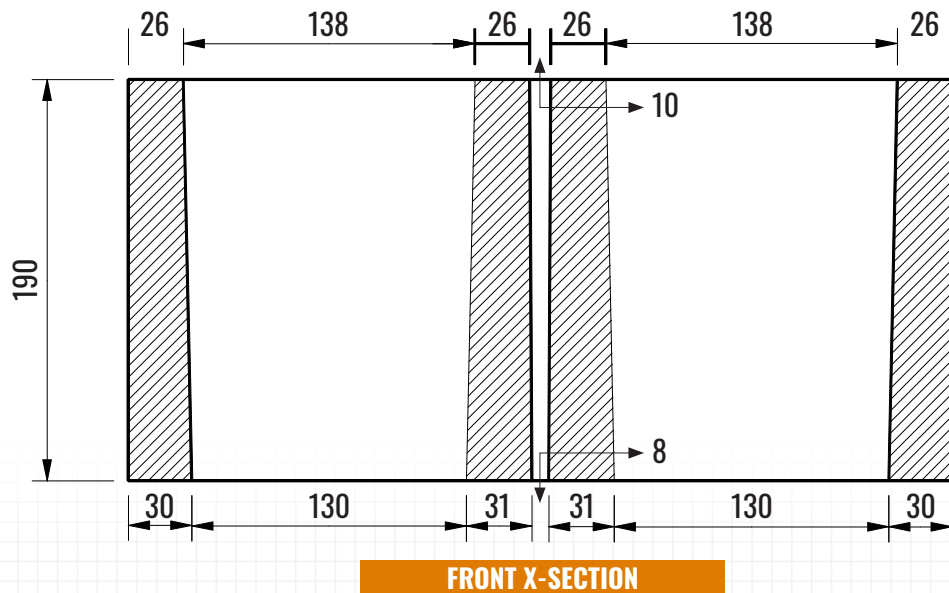
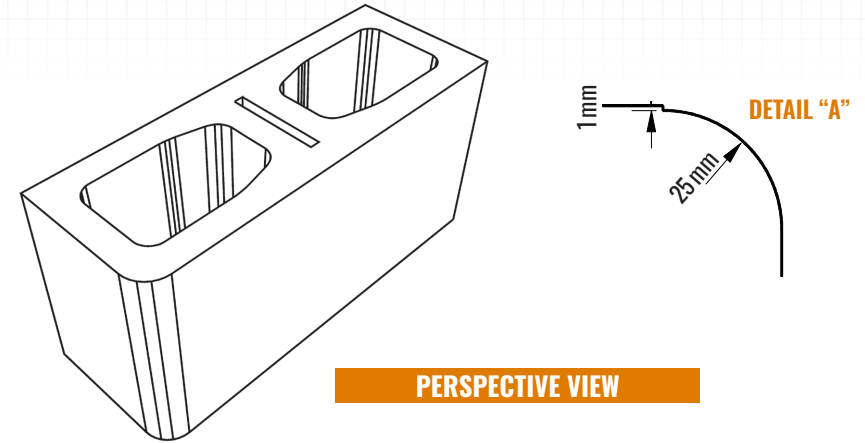
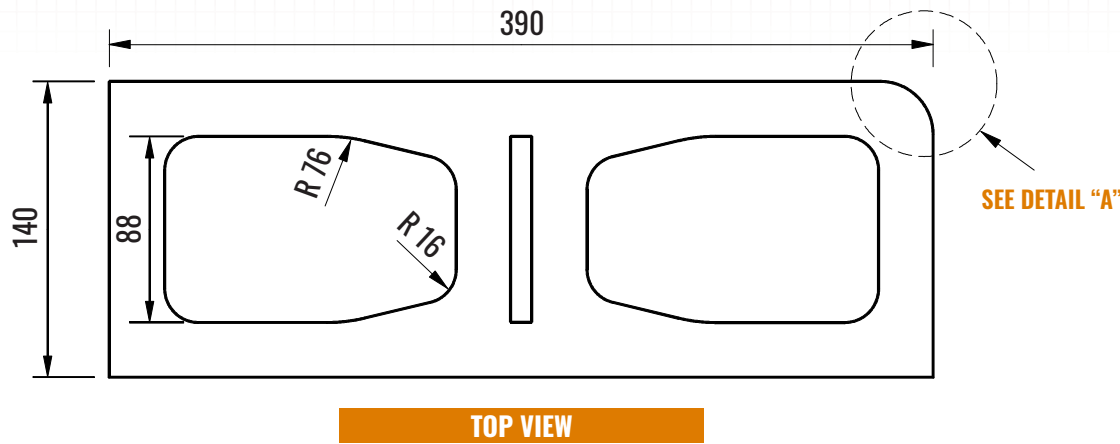




# Casey Concrete Ltd. 140 mm (6 in.) SINGLE BULLNOSE BLOCK

caseyltd.ca



**PLEASE NOTE:** Products are made from natural material sources and therefore color variation and efflorescence may occur.

### PACKAGING:

Pieces Per Pallet: 26 (+ 79 Stretchers)  
 Weight Per Piece: 13.64 kg (30 lbs)  
 Weight Per Pallet: 1432 kg (3150 lbs)  
 Coverage Per Piece: 0.8 sq.ft (84 sq.ft per pallet)

### DIMENSIONAL TOLERANCES:

Meets the requirements of CSA A165.1 Concrete Masonry  
 Length: -3 to +3 mm (-0.12 to +0.12 in.)  
 Width: -2 to +2 mm (-0.08 to +0.08 in.)  
 Height: -3 to +2 mm (-0.12 to +0.08 in.)

### PHYSICAL PROPERTIES:

Meets the requirements of CSA A165.1 Concrete Masonry  
 Compressive Strength: Min 15 MPa @ 28 Days  
 Absorption (%): 8.0 % Maximum @ 28 Days

