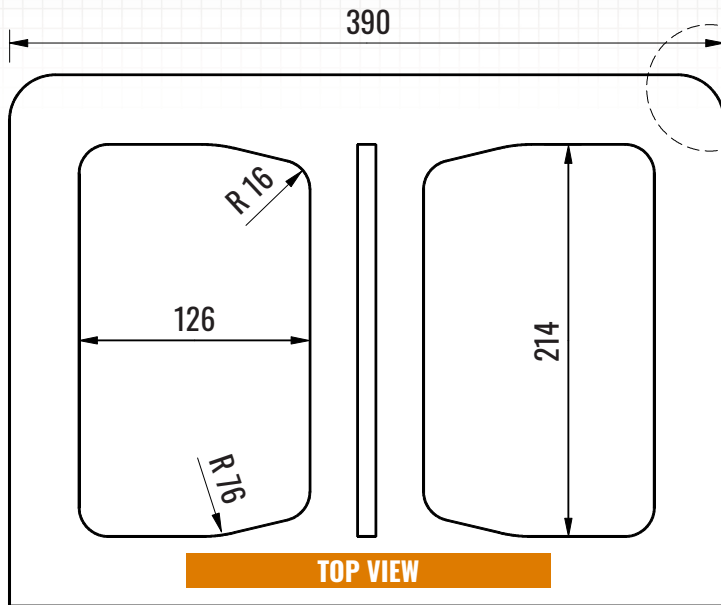


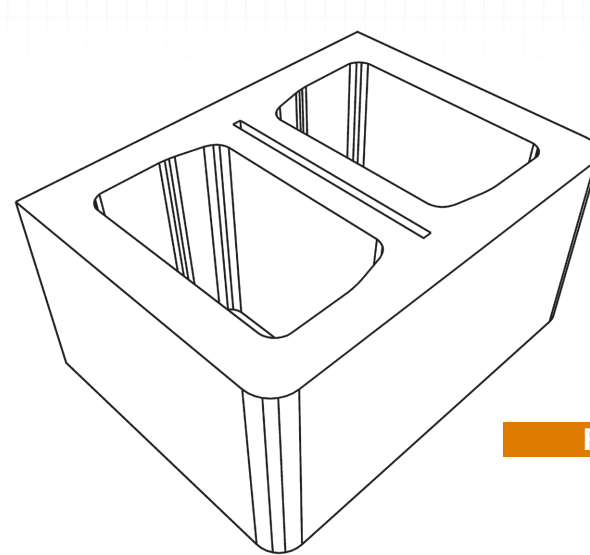


# Casey Concrete Ltd. 290 mm (12 in.) DOUBLE FACE BULLNOSE BLOCK

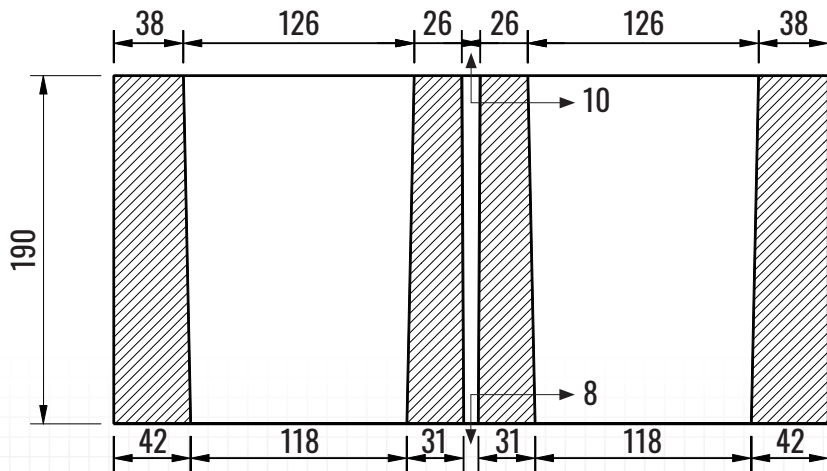
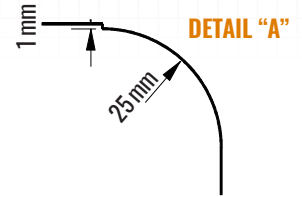
caseyltd.ca



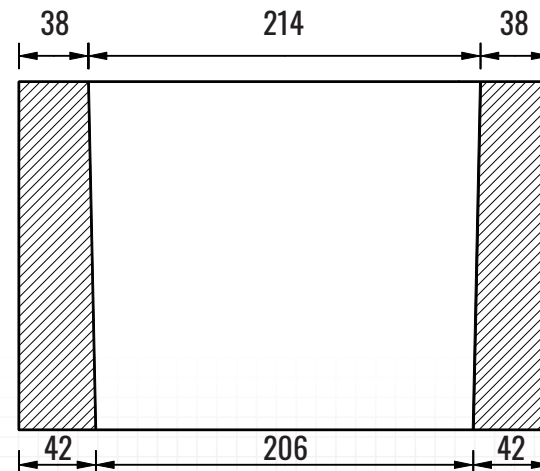
SEE DETAIL "A"



**PERSPECTIVE VIEW**



**FRONT X-SECTION**



**END X-SECTION**



**PLEASE NOTE:** Products are made from natural material sources and therefore color variation and efflorescence may occur.

**PACKAGING:**

Pieces Per Pallet: 50  
 Weight Per Piece: 26.82 kg (59 lbs)  
 Weight Per Pallet: 1341 kg (2950 lbs)  
 Coverage Per Piece: 0.8 sq.ft (40 sq.ft per pallet)

**DIMENSIONAL TOLERANCES:**

Meets the requirements of CSA A165.1 Concrete Masonry  
 Length: -3 to +3 mm (-0.12 to +0.12 in.)  
 Width: -2 to +2 mm (-0.08 to +0.08 in.)  
 Height: -3 to +2 mm (-0.12 to +0.08 in.)

**PHYSICAL PROPERTIES:**

Meets the requirements of CSA A165.1 Concrete Masonry  
 Compressive Strength: Min 15 MPa @ 28 Days  
 Absorption (%): 8.0 % Maximum @ 28 Days