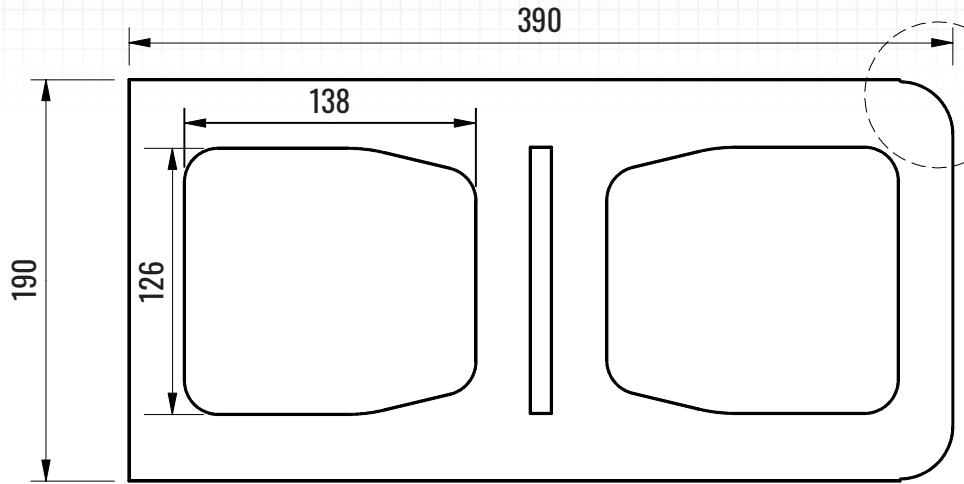




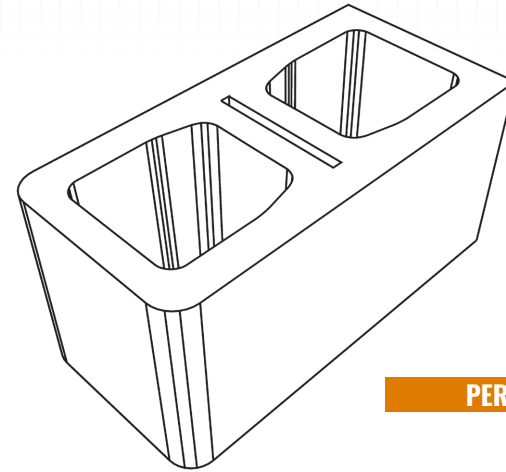
# Casey Concrete Ltd. 190 mm (8 in.) DOUBLE END BULLNOSE BLOCK

caseyltd.ca

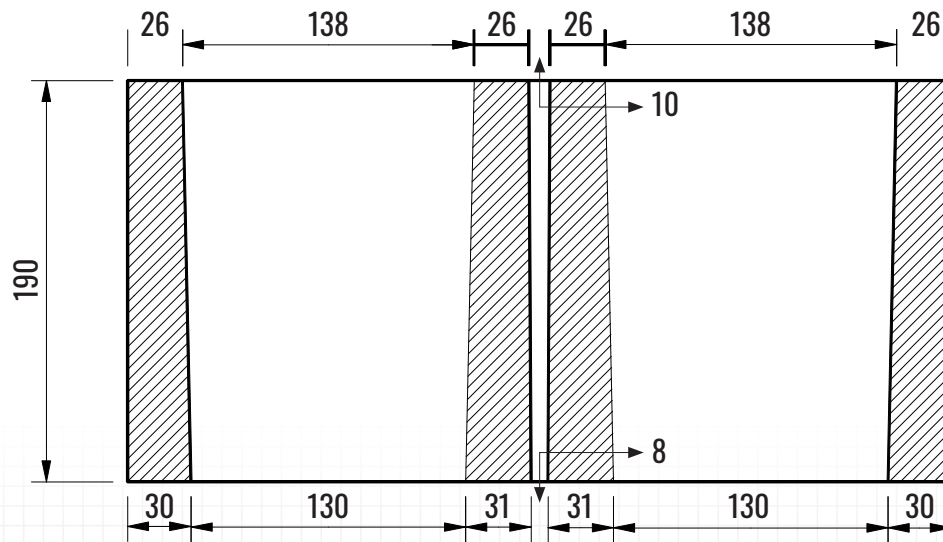
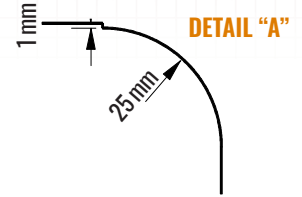


**TOP VIEW**

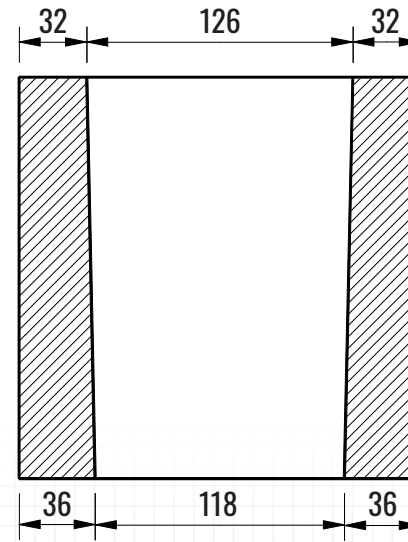
SEE DETAIL "A"



**PERSPECTIVE VIEW**



**FRONT X-SECTION**



**END X-SECTION**



**PLEASE NOTE:** Products are made from natural material sources and therefore color variation and efflorescence may occur.

## PACKAGING:

Pieces Per Pallet: 75  
 Weight Per Piece: 19.09 kg (42 lbs)  
 Weight Per Pallet: 1432 kg (3150 lbs)  
 Coverage Per Piece: 0.8 sq.ft (60 sq.ft per pallet)

## DIMENSIONAL TOLERANCES:

Meets the requirements of CSA A165.1 Concrete Masonry  
 Length: -3 to +3 mm (-0.12 to +0.12 in.)  
 Width: -2 to +2 mm (-0.08 to +0.08 in.)  
 Height: -3 to +2 mm (-0.12 to +0.08 in.)

## PHYSICAL PROPERTIES:

Meets the requirements of CSA A165.1 Concrete Masonry  
 Compressive Strength: Min 15 MPa @ 28 Days  
 Absorption (%): 8.0% Maximum @ 28 Days