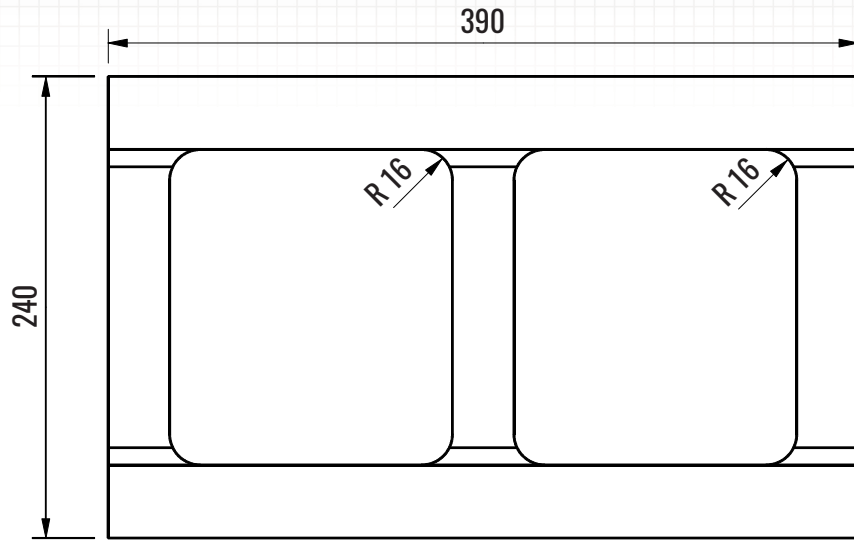


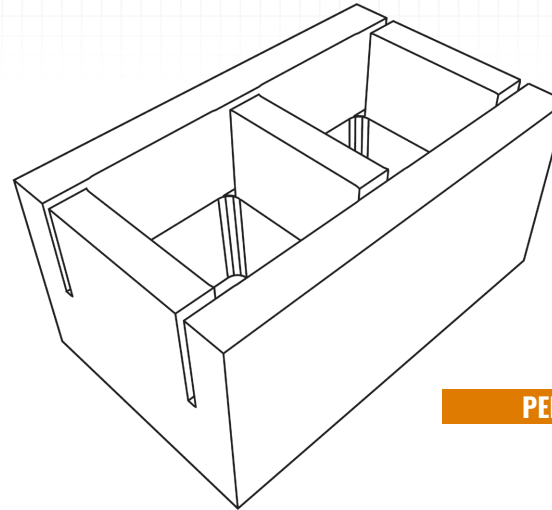


# Casey Concrete Ltd. 240 mm (10 in.) KNOCK-OUT BLOCK

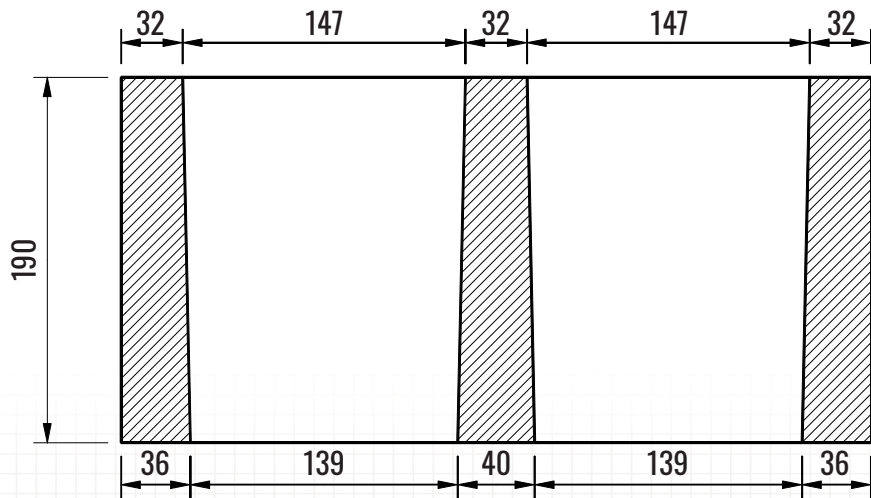
caseyltd.ca



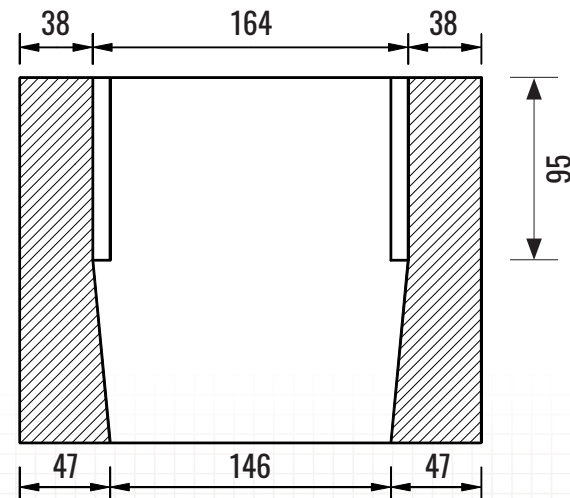
TOP VIEW



PERSPECTIVE VIEW



FRONT X-SECTION



END X-SECTION

**PLEASE NOTE:** Products are made from natural material sources and therefore color variation and efflorescence may occur.

## PACKAGING:

Pieces Per Pallet: 60  
 Weight Per Piece: 20.45 kg (45 lbs)  
 Weight Per Pallet: 1227 kg (2700 lbs)  
 Coverage Per Piece: 0.8 sq.ft (48 sq.ft per pallet)

## DIMENSIONAL TOLERANCES:

Meets the requirements of CSA A165.1 Concrete Masonry  
 Length: -3 to +3 mm (-0.12 to +0.12 in.)  
 Width: -2 to +2 mm (-0.08 to +0.08 in.)  
 Height: -3 to +2 mm (-0.12 to +0.08 in.)

## PHYSICAL PROPERTIES:

Meets the requirements of CSA A165.1 Concrete Masonry  
 Compressive Strength: Min 15 MPa @ 28 Days  
 Absorption (%): 8.0 % Maximum @ 28 Days

