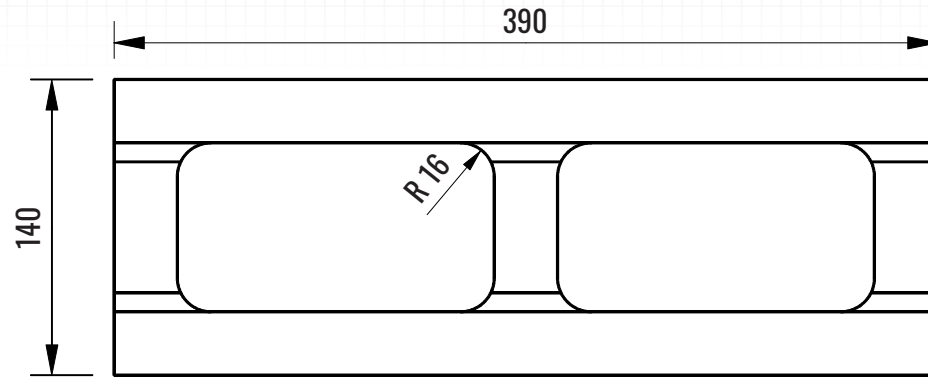


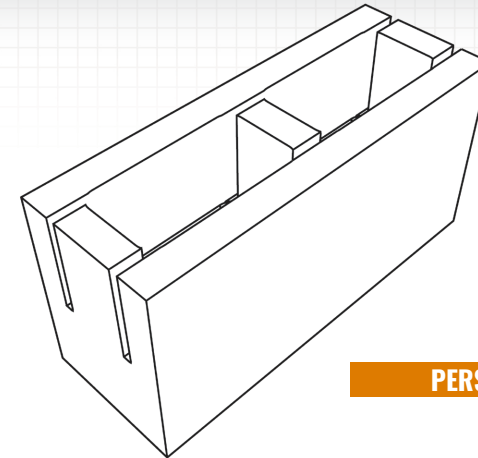


# Casey Concrete Ltd. 140 mm (6 in.) KNOCK-OUT BLOCK

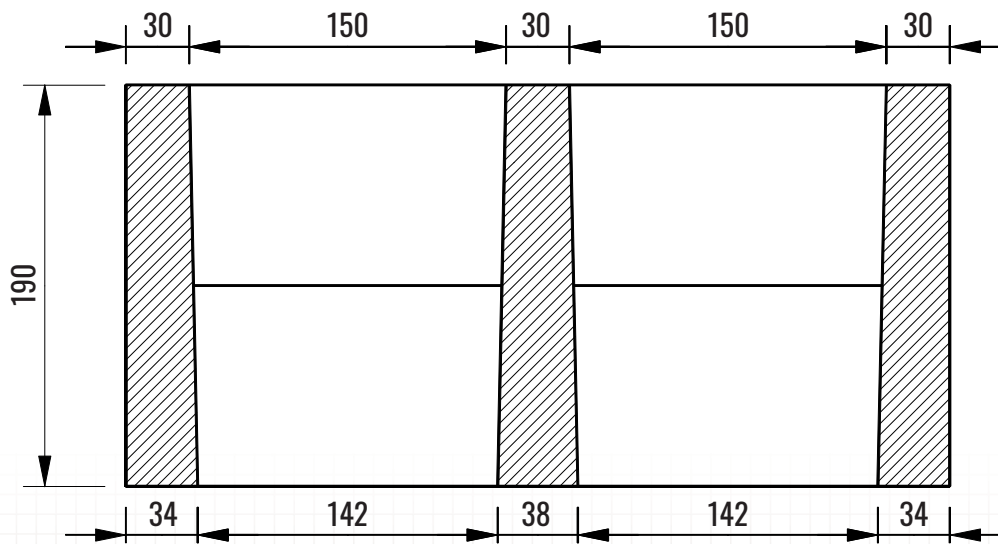
caseyltd.ca



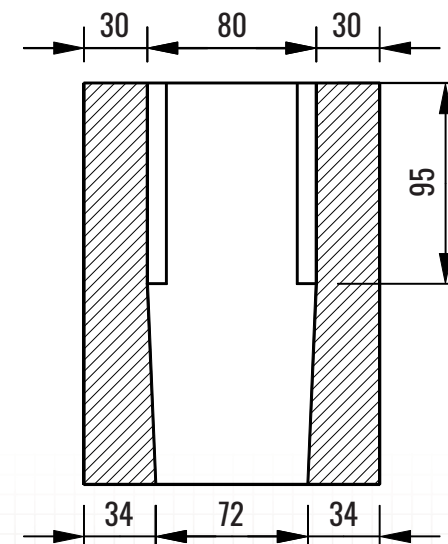
TOP VIEW



PERSPECTIVE VIEW



FRONT X-SECTION



END X-SECTION



**PLEASE NOTE:** Products are made from natural material sources and therefore color variation and efflorescence may occur.

### PACKAGING:

Pieces Per Pallet: 99  
Weight Per Piece: 14.6 kg (32.2 lbs)  
Weight Per Pallet: 1445.4 kg (3187.8 lbs)  
Coverage Per Piece: 0.8 sq.ft (60 sq.ft per pallet)

### DIMENSIONAL TOLERANCES:

Meets the requirements of CSA A165.1 Concrete Masonry  
Length: -3 to +3 mm (-0.12 to +0.12 in.)  
Width: -2 to +2 mm (-0.08 to +0.08 in.)  
Height: -3 to +2 mm (-0.12 to +0.08 in.)

### PHYSICAL PROPERTIES:

Meets the requirements of CSA A165.1 Concrete Masonry  
Compressive Strength: Min 15 MPa @ 28 Days  
Absorption (%): 8.0% Maximum @ 28 Days