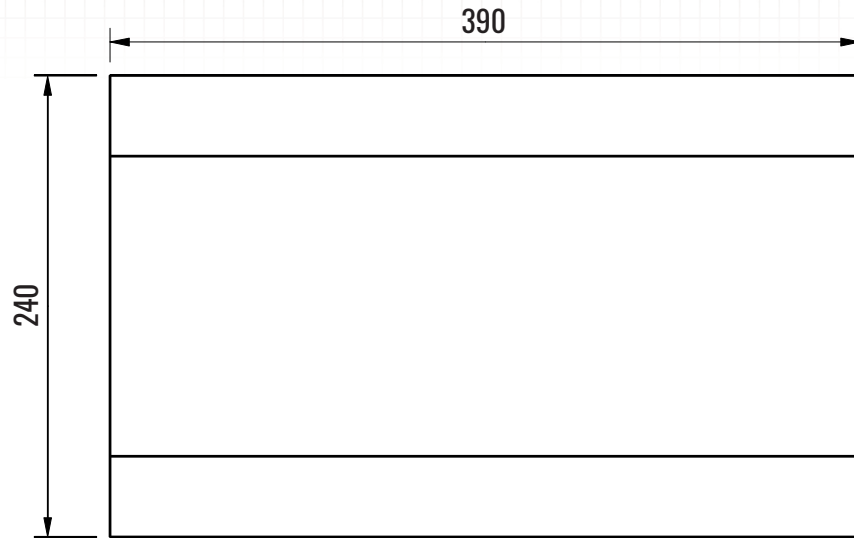


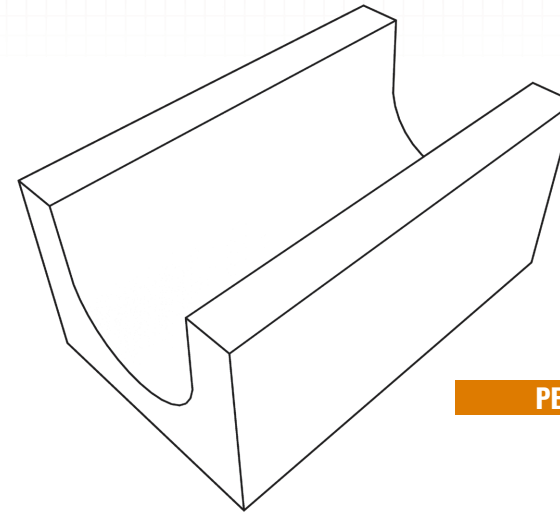


Casey Concrete Ltd. 240 mm (10 in.) BOND-BEAM BLOCK

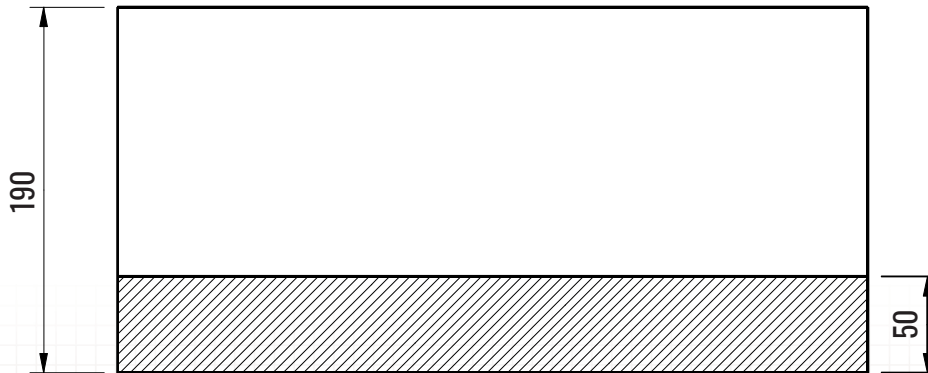
caseyltd.ca



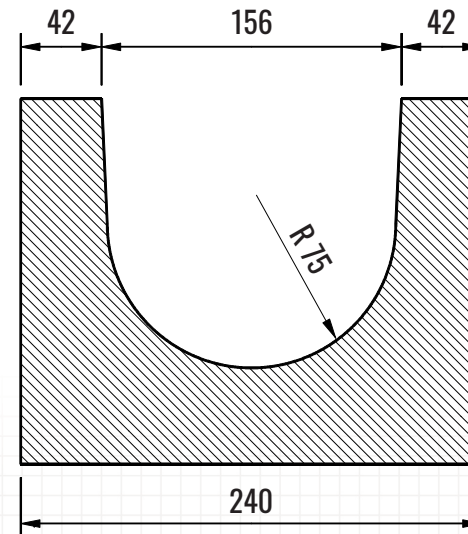
TOP VIEW



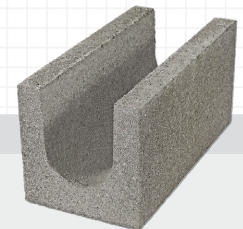
PERSPECTIVE VIEW



FRONT X-SECTION



END VIEW



PLEASE NOTE: Products are made from natural material sources and therefore color variation and efflorescence may occur.

PACKAGING:

Pieces Per Pallet: 30 Stretchers 30 Breakers
Weight Per Piece: 23.18 kg (51 lbs)
Weight Per Pallet: 1336 kg (2940 lbs)
Coverage Per Piece: 0.8 sq.ft (48 sq.ft per pallet)

DIMENSIONAL TOLERANCES:

Meets the requirements of CSA A165.1 Concrete Masonry
Length: -3 to +3 mm (-0.12 to +0.12 in.)
Width: -2 to +2 mm (-0.08 to +0.08 in.)
Height: -3 to +2 mm (-0.12 to +0.08 in.)

PHYSICAL PROPERTIES:

Meets the requirements of CSA A165.1 Concrete Masonry
Compressive Strength: Min 15 MPa @ 28 Days
Absorption (%): 8.0 % Maximum @ 28 Days