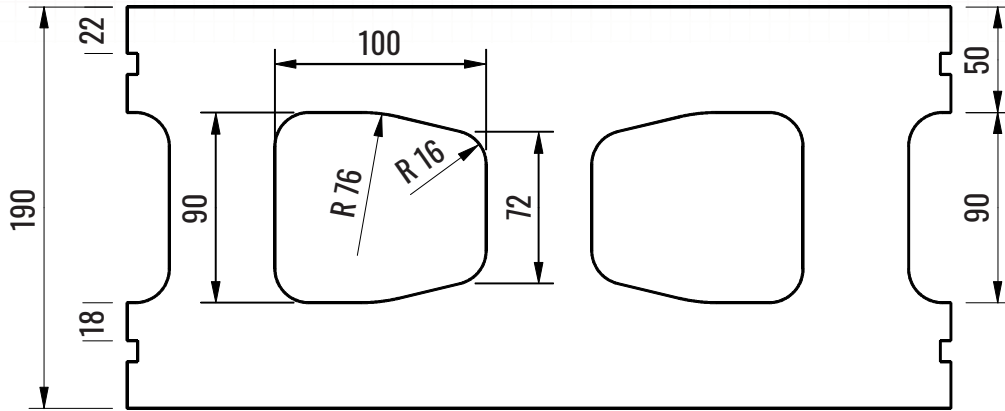




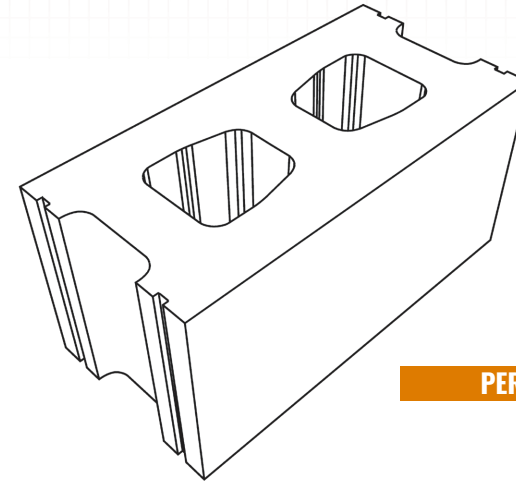
Casey Concrete Ltd. 190 mm (8 in.) SEMI-SOLID STRETCHER BLOCK

caseyltd.ca

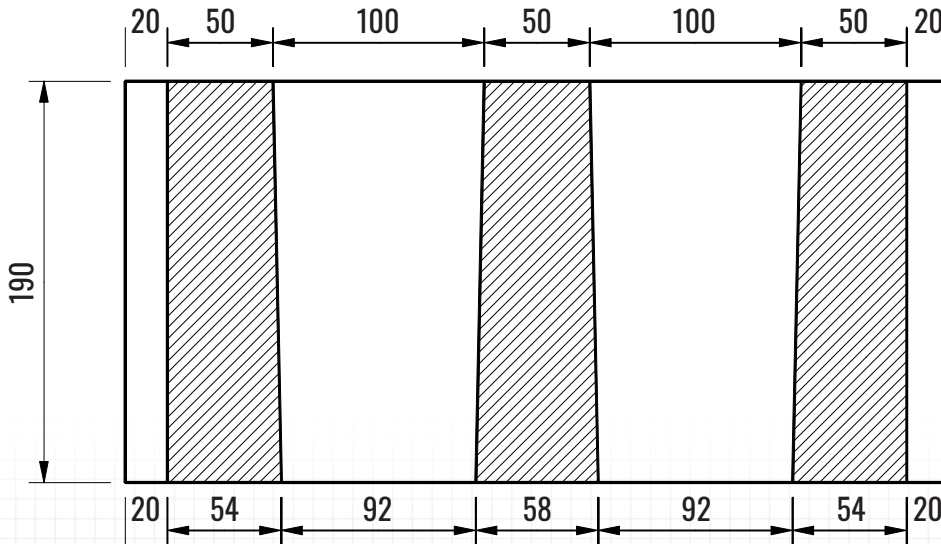
390



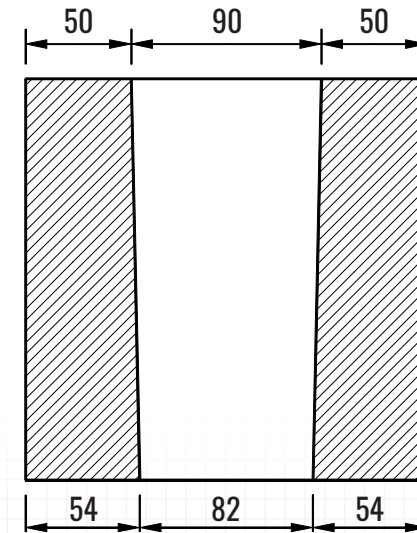
TOP VIEW



PERSPECTIVE VIEW



FRONT X-SECTION



END X-SECTION

PLEASE NOTE: Products are made from natural material sources and therefore color variation and efflorescence may occur.

PACKAGING:

Pieces Per Pallet: 40 Stretchers (+20 Breakers)
Weight Per Piece: 25.00 kg (55 lbs)
Weight Per Pallet: 1500 kg (3300 lbs)
Coverage Per Piece: 0.8 sq.ft (60 sq.ft per pallet)

DIMENSIONAL TOLERANCES:

Meets the requirements of CSA A165.1 Concrete Masonry
Length: -3 to +3 mm (-0.12 to +0.12 in.)
Width: -2 to +2 mm (-0.08 to +0.08 in.)
Height: -3 to +2 mm (-0.12 to +0.08 in.)

PHYSICAL PROPERTIES:

Meets the requirements of CSA A165.1 Concrete Masonry
Compressive Strength: Min 15 MPa @ 28 Days
Absorption (%): 8.0 % Maximum @ 28 Days