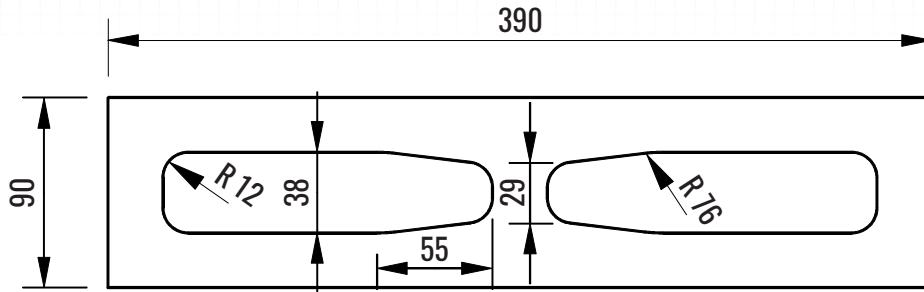


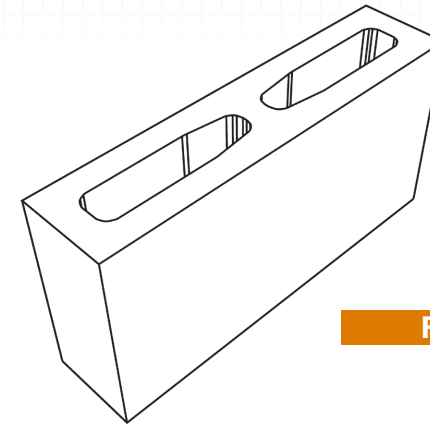


Casey Concrete Ltd. 90 mm (4 in.) STRETCHER BLOCK

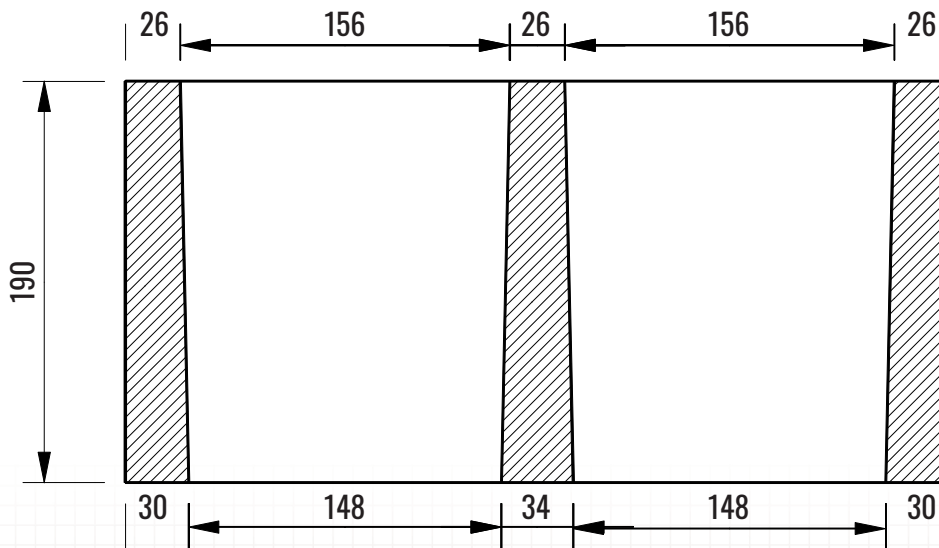
caseyltd.ca



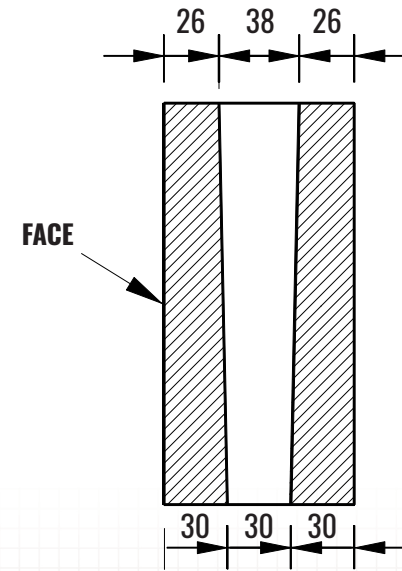
TOP VIEW



PERSPECTIVE VIEW



FRONT X-SECTION



END X-SECTION



PLEASE NOTE: Products are made from natural material sources and therefore color variation and efflorescence may occur.

PACKAGING:

Pieces Per Pallet: 112 (+23 BRK'S)
Weight Per Piece: 10.66 kg (23.5 lbs)
Weight Per Pallet: 1440 kg (3173 lbs)
Coverage Per Piece: 0.8 sq.ft

DIMENSIONAL TOLERANCES:

Meets the requirements of CSA A165.1 Concrete Masonry
Length: -3 to +3 mm (-0.12 to +0.12 in.)
Width: -2 to +2 mm (-0.08 to +0.08 in.)
Height: -3 to +2 mm (-0.12 to +0.08 in.)

PHYSICAL PROPERTIES:

Meets the requirements of CSA A165.1 Concrete Masonry
Compressive Strength: Min 15 MPa @ 28 Days
Absorption (%): 8.0% Maximum @ 28 Days