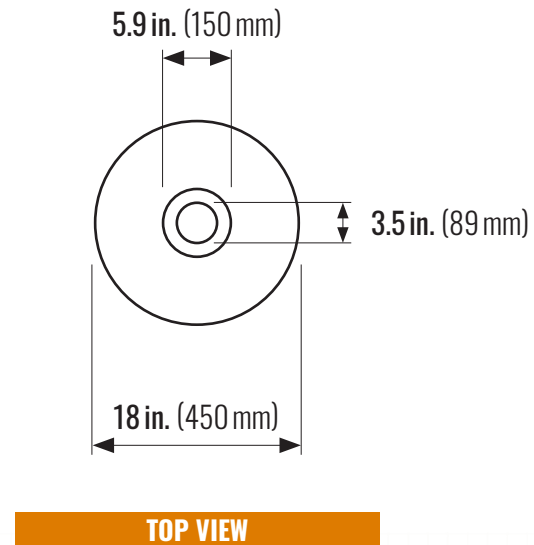
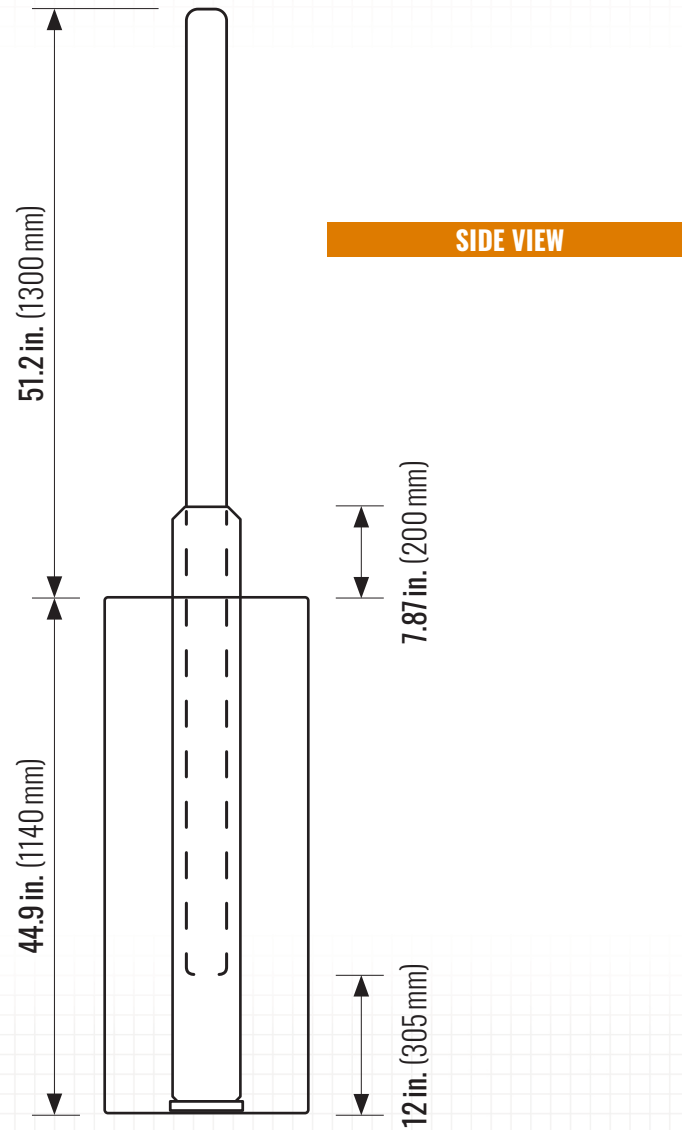




Casey Concrete Ltd. Bollard

caseyltd.ca



PACKAGING:

Weight: 400 kg (884 lbs)
Volume: 0.17 m³

PHYSICAL PROPERTIES:

Meets the requirements of CSA A165.1 Concrete Masonry
Compressive Strength: Min 15 MPa @ 28 Days
Absorption (%): 8.0 % Maximum @ 28 Days