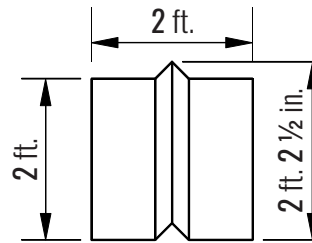


**SIDE VIEW**



**END VIEW**

### SIZES:

2x2x6 ft. = 3500 lbs +/-

1x2x6 ft. = 1750 lbs +/-

2x2x4 ft. = 2350 lbs +/-

1x2x4 ft. = 1775 lbs +/-

2x2x3 ft. = 1775 lbs +/-

1x2x3 ft. = 890 lbs +/-

2x2x2 ft. = 1175 lbs +/-

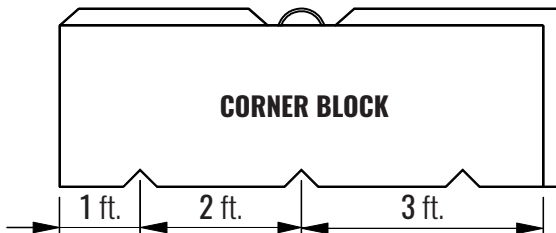
1x2x2 ft. = 600 lbs +/-

### DELIVERY:

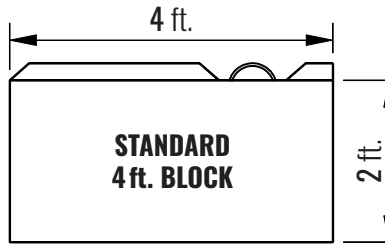
Flat truck delivery can haul 24 six foot blocks.  
Boom & Tag trucks can haul 22 six foot blocks per load.  
Blocks can be placed on job-site by our boom operators.

### PHYSICAL PROPERTIES:

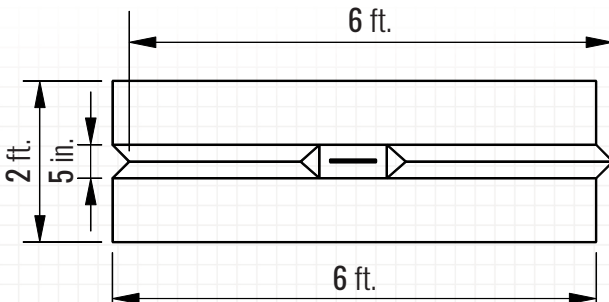
Made from concrete of varying strength and performance.  
Trowel finished tops and from finished sides and bottom.  
Concrete is a natural product and therefore colour and appearance will vary.  
Special blocks include flat tops, flat ends, corners and caps.



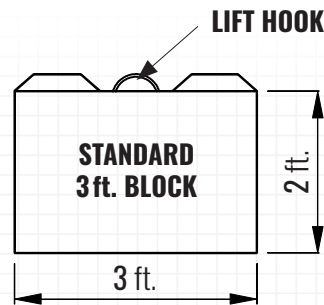
**SIDE VIEW**



**SIDE VIEW**



**TOP VIEW**



**SIDE VIEW**



**SIDE VIEW**