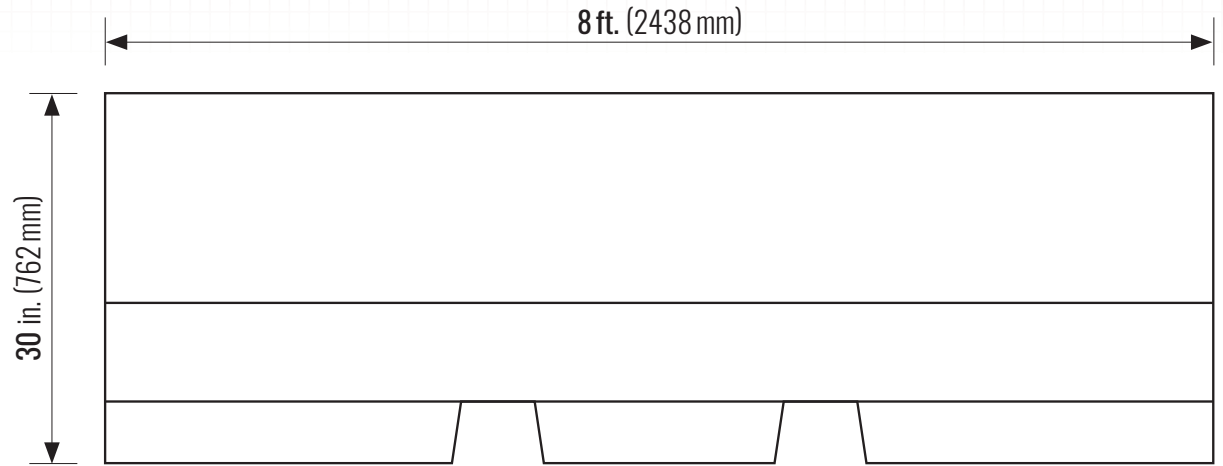
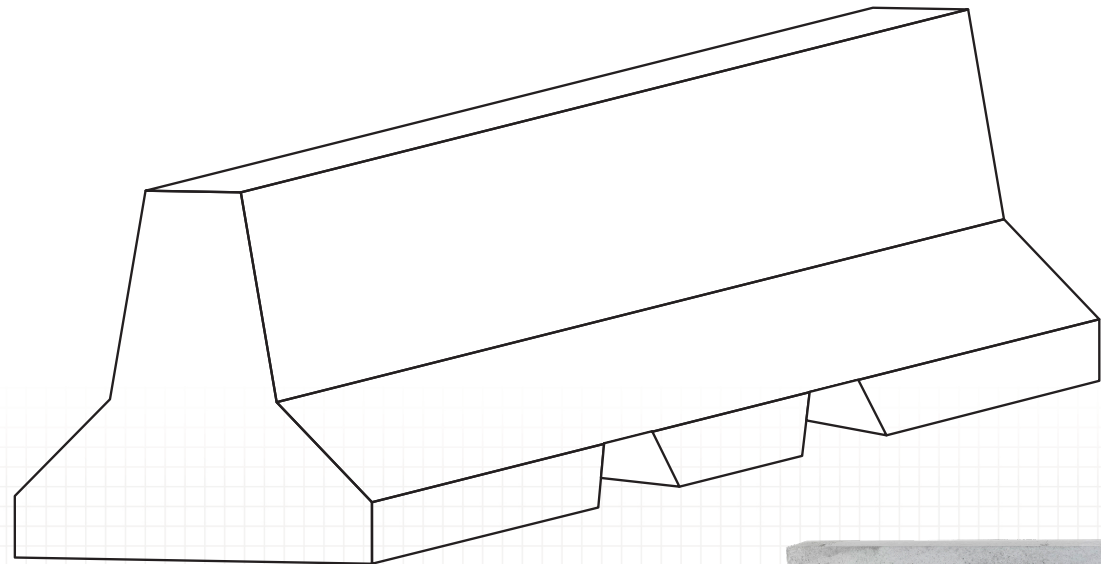


END X-SECTION



SIDE VIEW



PERSPECTIVE



PACKAGING:

4' x 8" Top: 825.5 kg (1820 lbs)
6' x 8" Top: 1238.3 kg (2730 lbs)
8' x 8" Top: 1651.1 kg (3640 lbs)

PHYSICAL PROPERTIES:

Meets the requirements of CSA A165.1 Concrete Masonry
Compressive Strength: Min 15 MPa @ 28 Days
Absorption (%): 8.0% Maximum @ 28 Days