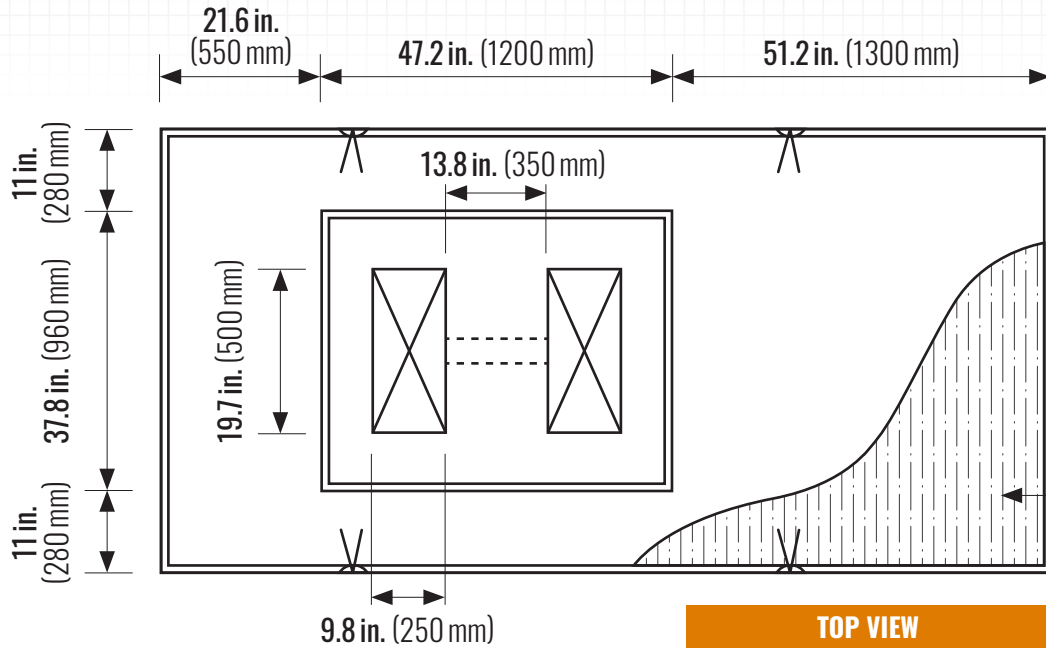


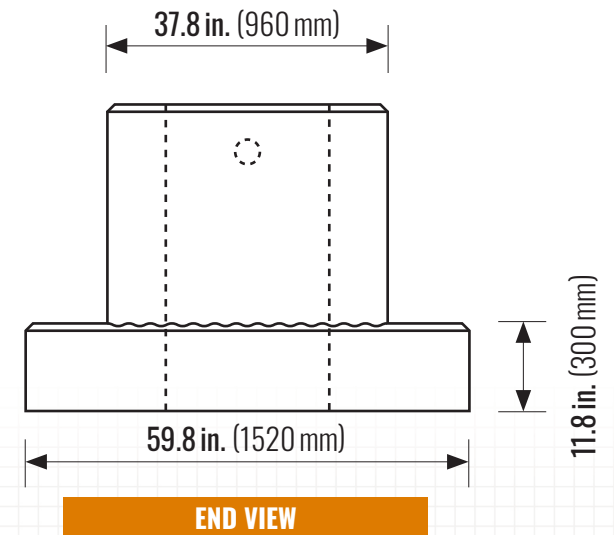
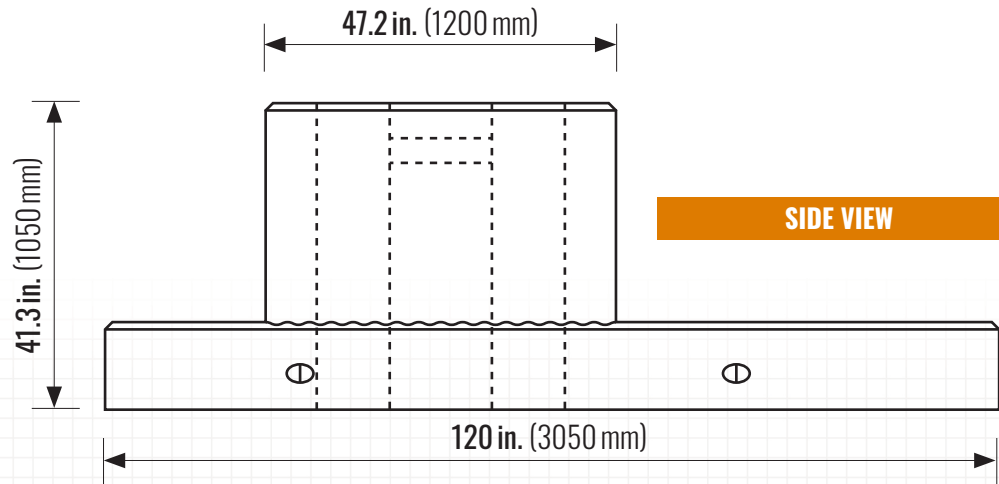
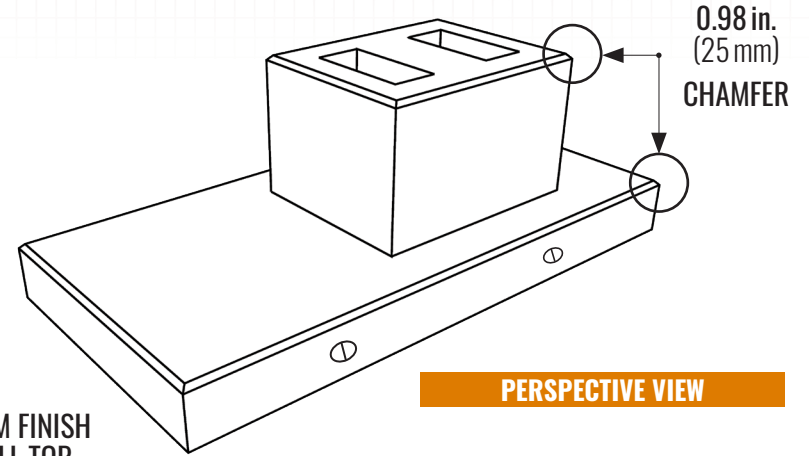


Casey Concrete Ltd. DOUBLE TRAFFIC CONTROL UNIT

caseyltd.ca



BROOM FINISH TO ALL TOP PAD SURFACE



PACKAGING:

Weight: 4870 kg (10736 lbs)
Volume: 2.10m³

PHYSICAL PROPERTIES:

Meets the requirements of CSA A165.1 Concrete Masonry
Compressive Strength: Min 35 MPa @ 28 Days
Absorption (%): 8.0 % Maximum @ 28 Days

