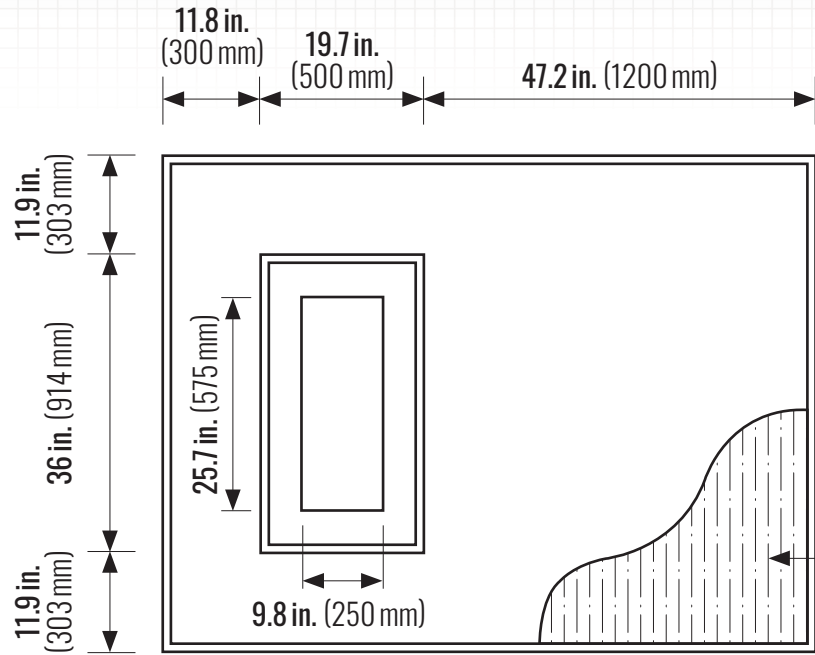


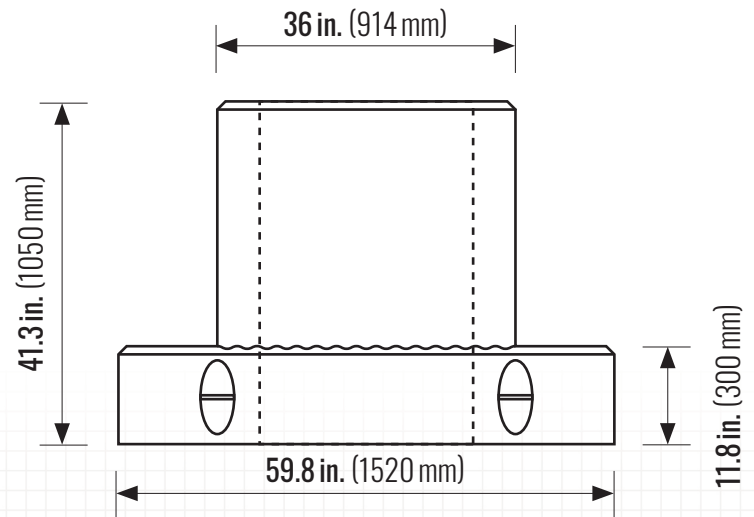
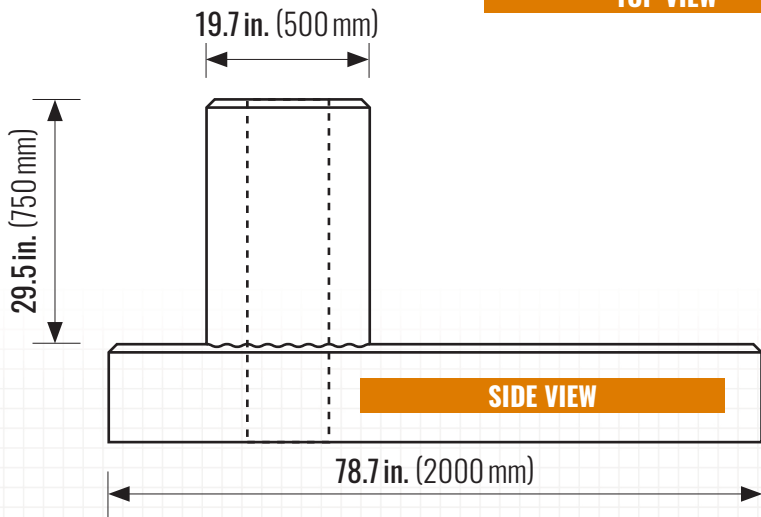
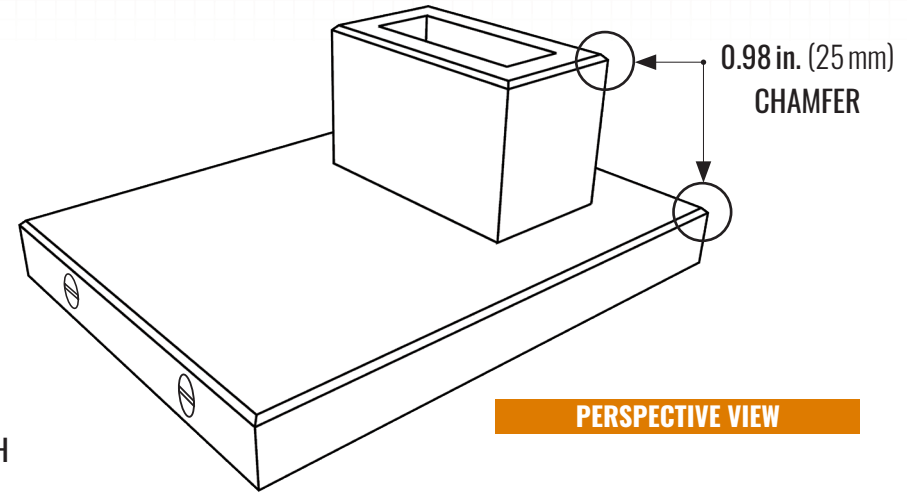


Casey Concrete Ltd. SINGLE TRAFFIC CONTROL UNIT

caseyltd.ca



TOP VIEW



PACKAGING:

Weight: 2325 kg (5125 lbs)
Volume: 0.98 m³

PHYSICAL PROPERTIES:

Meets the requirements of CSA A165.1 Concrete Masonry
Compressive Strength: Min 35 MPa @ 28 Days
Absorption (%): 8.0 % Maximum @ 28 Days