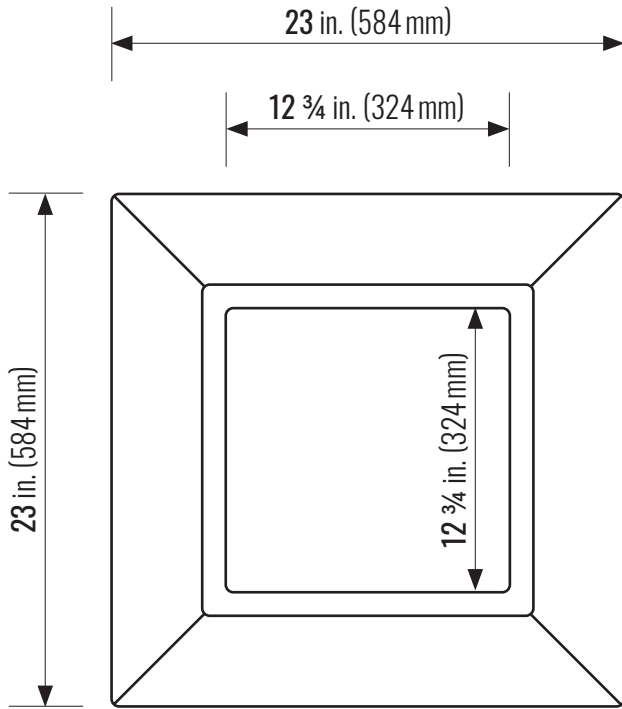




# Casey Concrete Ltd. PRECAST CONCRETE CAPS

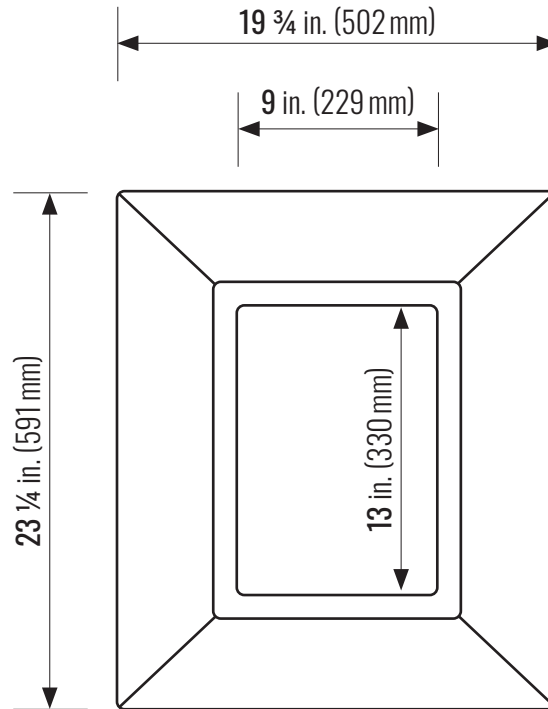
caseyltd.ca

**12x12 in.**



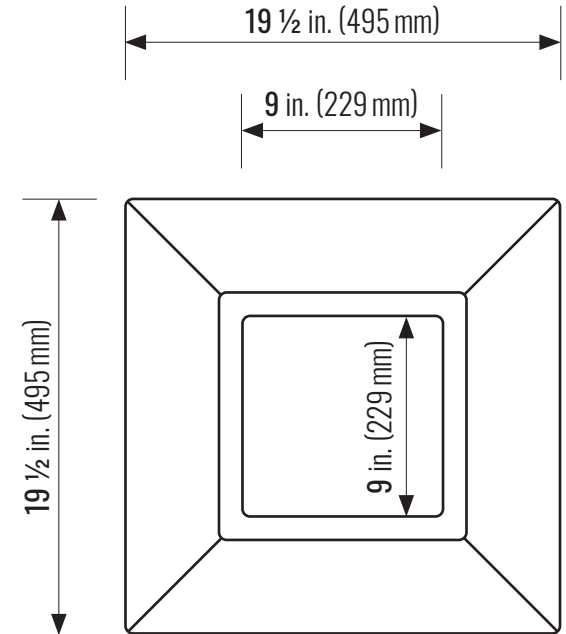
**TOP VIEW**

**8x12 in.**



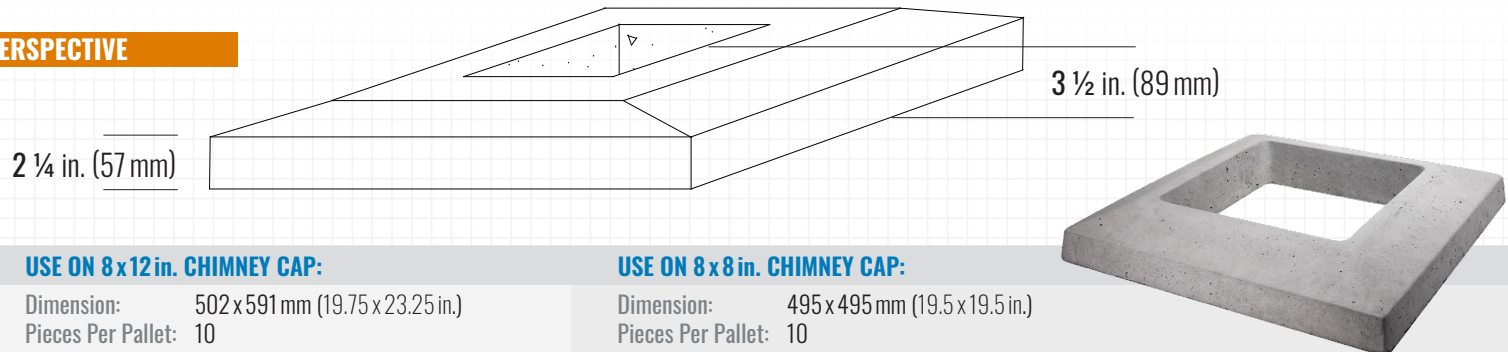
**TOP VIEW**

**8x8 in.**



**TOP VIEW**

**PERSPECTIVE**



## PHYSICAL PROPERTIES:

Meets the requirements of CSA A23.1  
 Compressive Strength: Min 35 MPa @ 28 Days  
 Concrete Contains: 5-8% Entrained Air

## USE ON 12x12 in. CHIMNEY CAP:

Dimension: 584x584 mm (23x23 in.)  
 Pieces Per Pallet: 10  
 Weight Per Piece: 55.8 kg (123 lbs) +/-

## USE ON 8x12 in. CHIMNEY CAP:

Dimension: 502x591 mm (19.75x23.25 in.)  
 Pieces Per Pallet: 10  
 Weight Per Piece: 47.6 kg (105 lbs) +/-

## USE ON 8x8 in. CHIMNEY CAP:

Dimension: 495x495 mm (19.5x19.5 in.)  
 Pieces Per Pallet: 10  
 Weight Per Piece: 33.6 kg (74 lbs) +/-