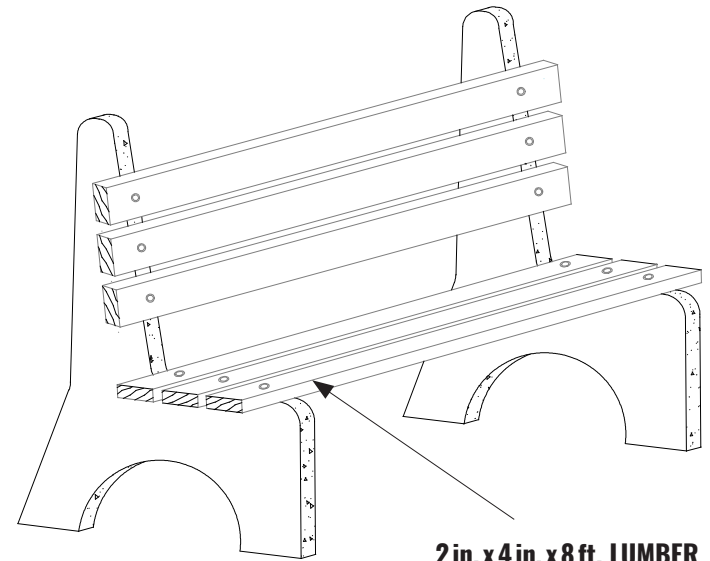
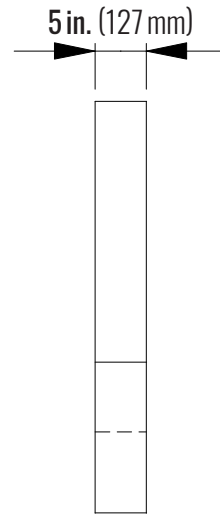
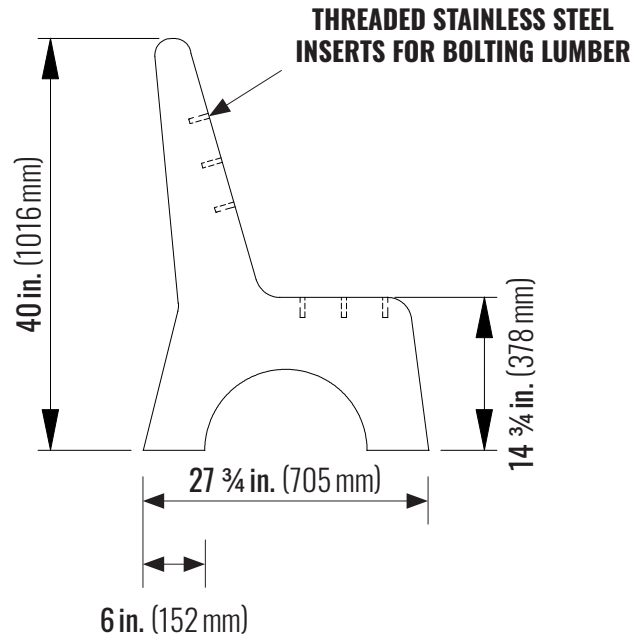




Casey Concrete Ltd. PRECAST PARK BENCH END

caseyltd.ca



PACKAGING:

Pieces Per Pallet: Sets of 2
Weight Per Piece: 90.72 kg (200 lbs)
Components: 12 Stainless Bolts Included

PHYSICAL PROPERTIES:

Concrete Meets requirements of CSA A23.1
Compressive Strength: Min 35 MPa @ 28 Days
Concrete Contains: 5-8% Entrained Air