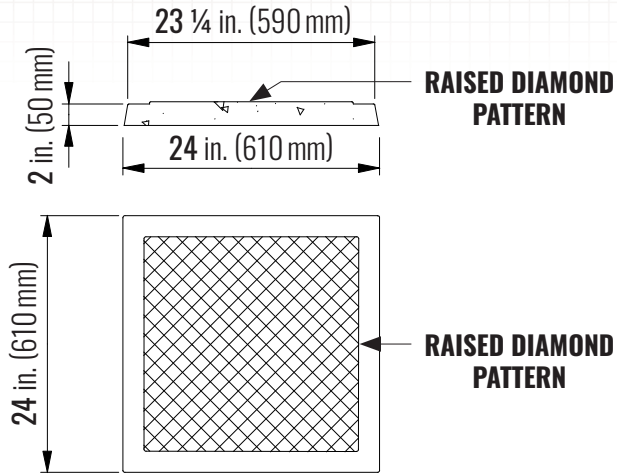


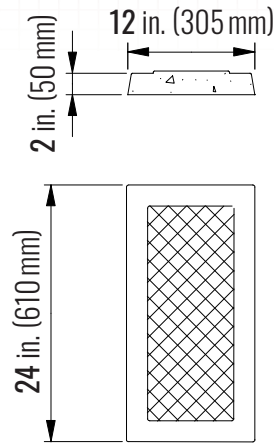


# Casey Concrete Ltd. PRECAST PATIO SLABS

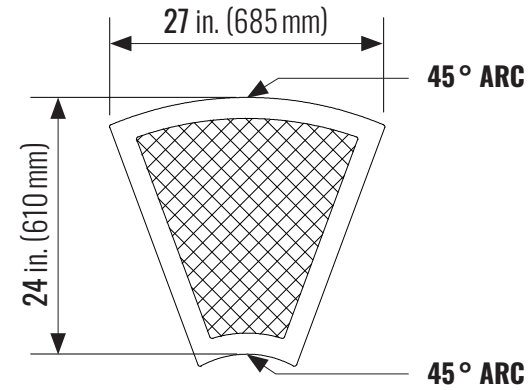
caseyltd.ca



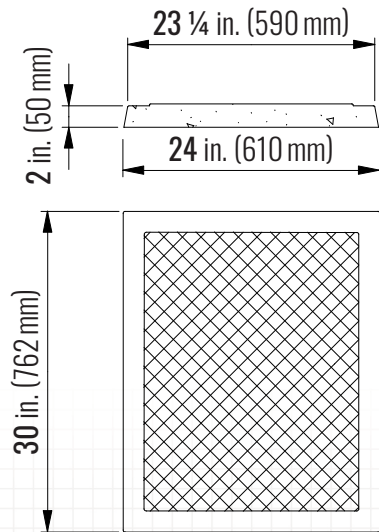
TOP VIEW / FRONT X-SECTION



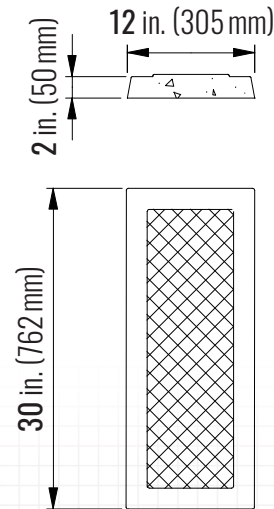
TOP VIEW / FRONT X-SECTION



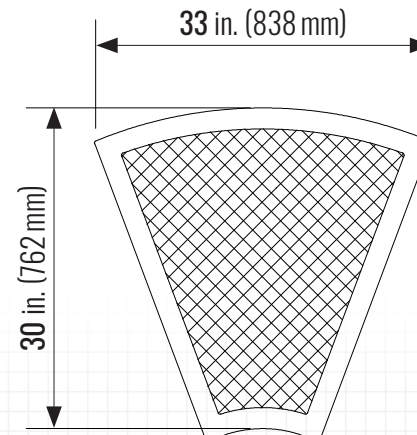
TOP VIEW



TOP VIEW / FRONT X-SECTION



TOP VIEW / FRONT X-SECTION



TOP VIEW

## 24 in. PATIO SLABS:

- L&W: 610 x 610 mm (24 x 24 in.) = 45.7 kg (100 lbs)
- L&W: 305 x 610 mm (12 x 24 in.) = 22.7 kg (50 lbs)
- L&W: 610 mm x 45° (24 in x 45°) = 34.0 kg (75 lbs)

## 30 in. PATIO SLABS:

- L&W: 610 x 762 mm (24 x 30 in.) = 54.4 kg (120 lbs)
- L&W: 305 x 762 mm (12 x 30 in.) = 27.2 kg (60 lbs)
- L&W: 762 mm x 45° (30 in x 45°) = 43.1 kg (95 lbs)

## PHYSICAL PROPERTIES:

- Meets the requirements of CSA A23.1
- Compressive Strength: Min 35 MPa @ 28 Days
- Concrete Contains: 5-8% Entrained Air

